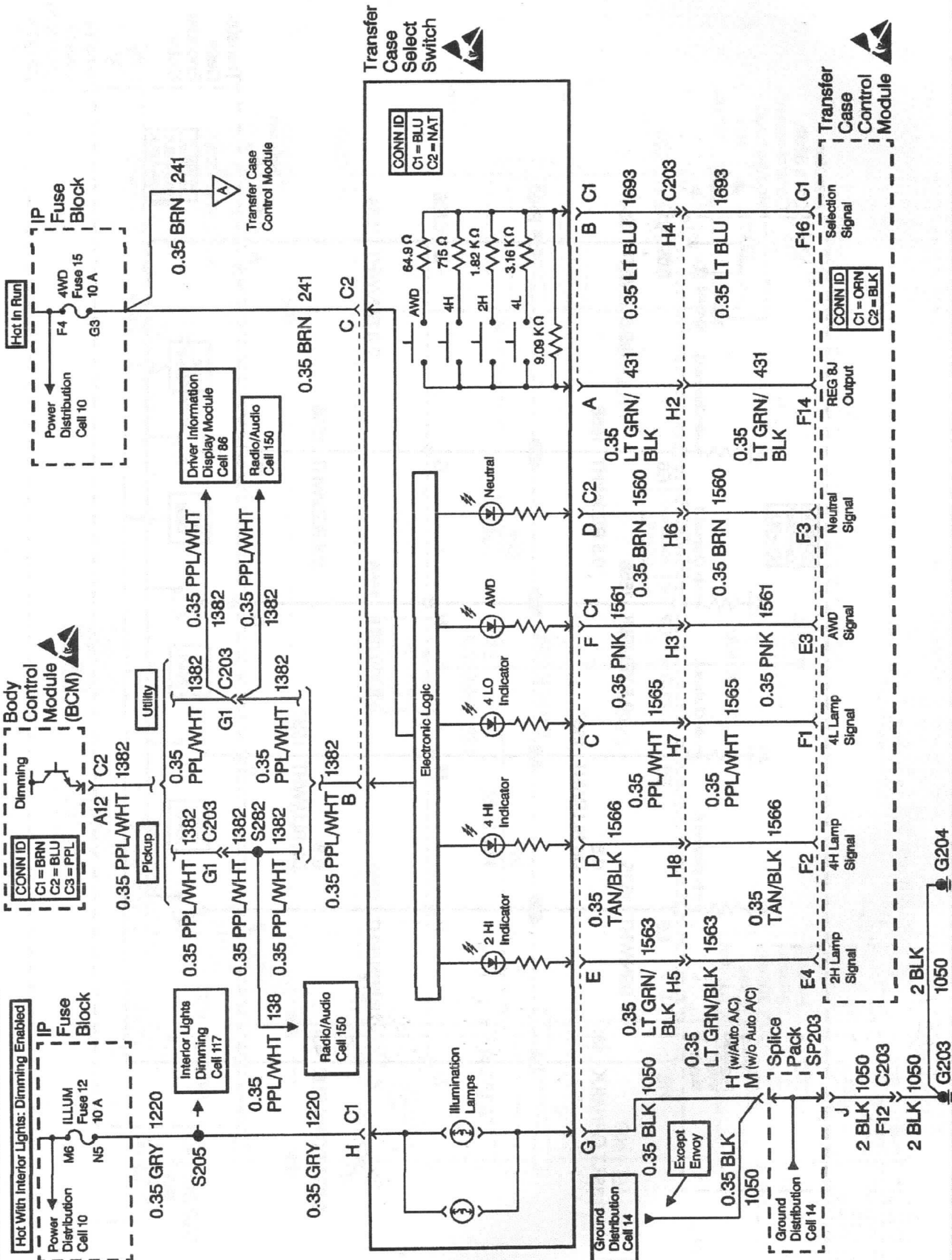
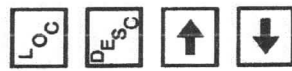
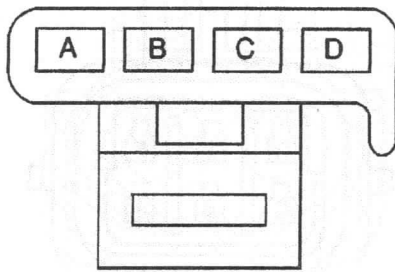


Transfer Case Control Schematics (Cell 38: Transfer Case Select Switch)



**Transfer Case Shift Control Module
Connector C2**



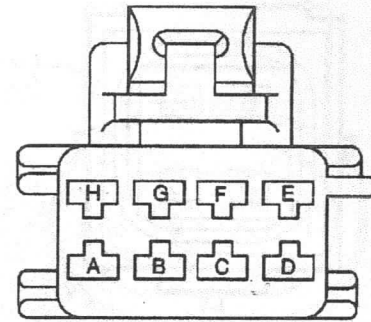
62450

Connector Part Information

- 12052856
- 4 Way F Metri-Pack 280 Series (BLK)

Pin	Wire Color	Circuit No.	Function
A	BLK	1552	Transfer Case Motor Feed - Clockwise
B	RED	1553	Transfer Case Motor Feed - Counterclockwise
C	BLK	1050	Ground
D	ORG	1640	Fuse Output - Battery - Type III Fuse

**Transfer Case Select Switch Connector C1
(cont'd)**



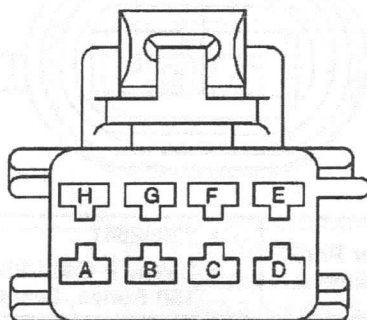
62463

Connector Part Information

- 12064766
- 8 Way F Metri-Pack 150 Series (BLU)

Pin	Wire Color	Circuit No.	Function
E	LT GRN/BLK	1563	2 HI Indicator Lamp Output
F	PNK	1561	AWD/4WD Indicator Lamp Output
G	BLK	1050	Ground
H	GRA	1220	Fuse Output - IP Lamps - Type III

Transfer Case Select Switch Connector C1



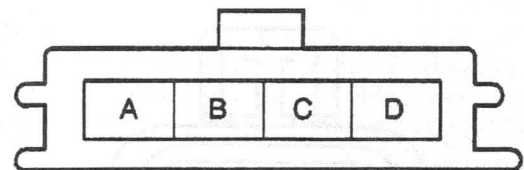
62463

Connector Part Information

- 12064766
- 8 Way F Metri-Pack 150 Series (BLU)

Pin	Wire Color	Circuit No.	Function
A	LT GRN/BLK	431	Reference Voltage Feed - 8 Volt Reference
B	LT BLU	1693	Four Wheel Drive Switch Signal
C	PPL/WHT	1565	4 LO Indicator Lamp Output
D	TAN/BLK	1566	4 HI Indicator Lamp Output

Transfer Case Select Switch Connector C2



130635

Connector Part Information

- 12045813
- 4 Way F Metri-Pack 150 Series (NAT)

Pin	Wire Color	Circuit No.	Function
A	—	—	Not Used
B	PPL/WHT	1382	LED Dimming Signal
C	BRN	241	Fuse Output - Ignition 3 - Type III Fuse
D	BRN	1560	Neutral Indicator Lamp Output