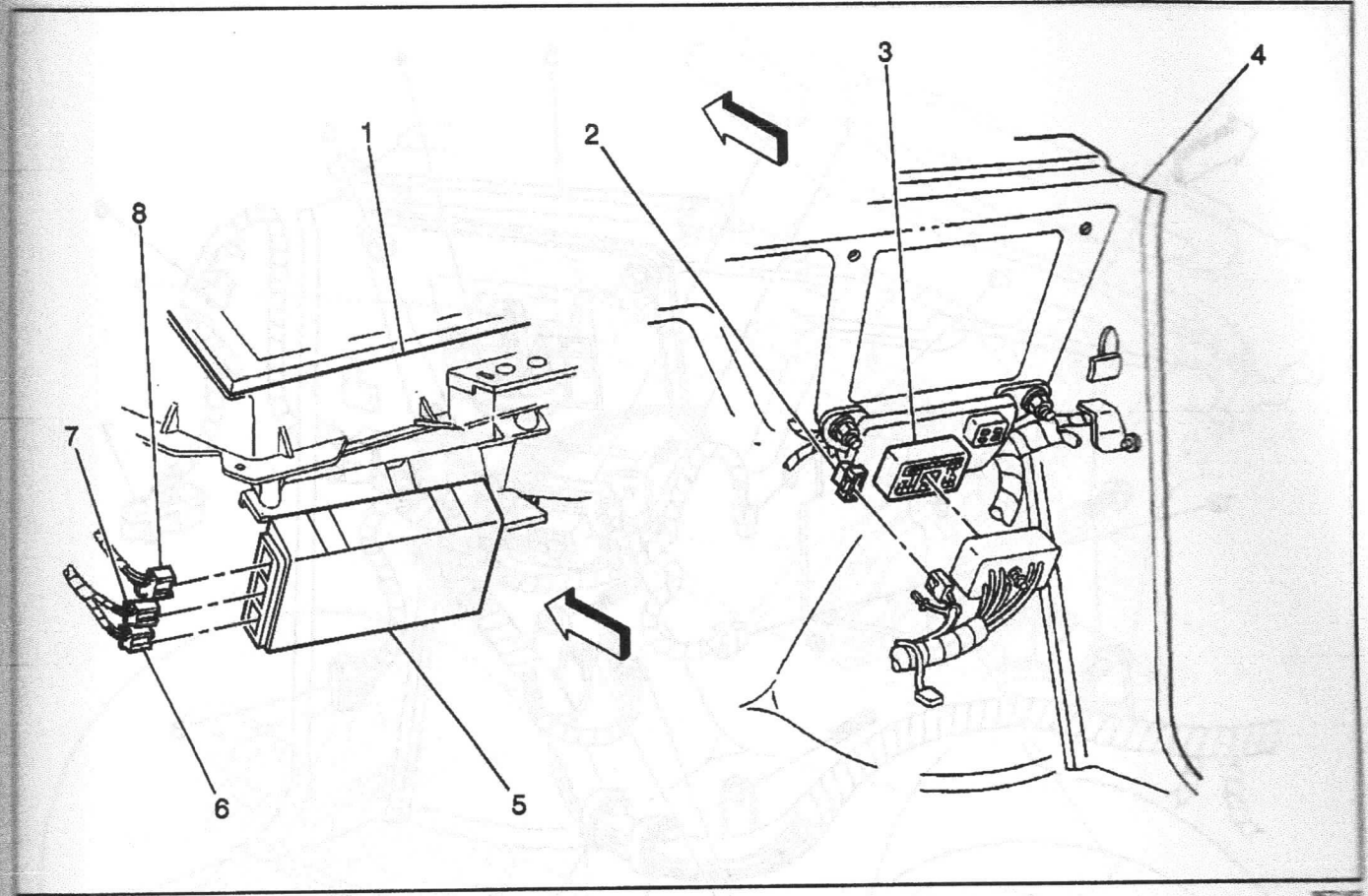


Instrument Panel Details, RH

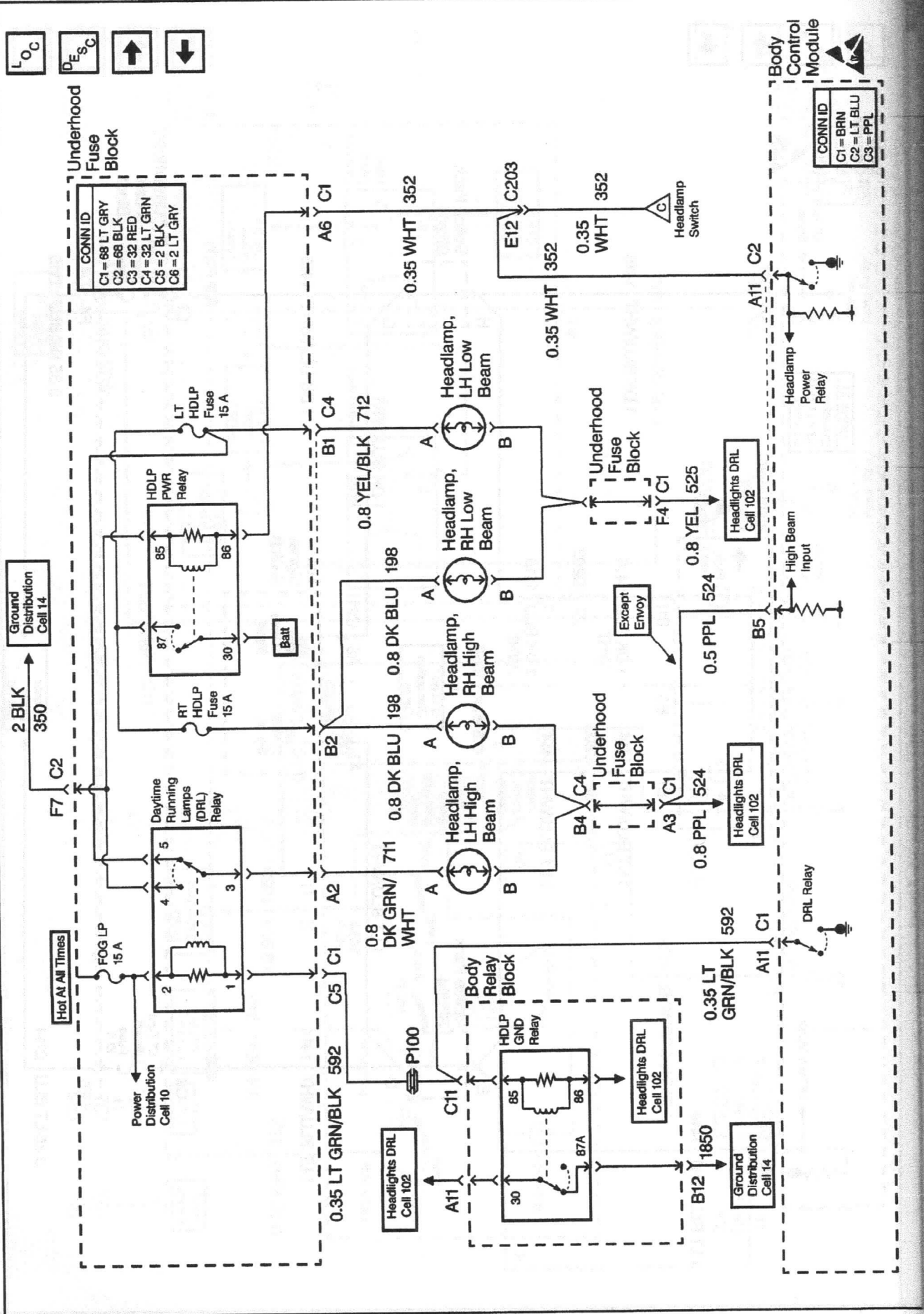


Legend

- (1) Heater Controls
- (2) C200
- (3) C203
- (4) Instrument Panel (IP)

- (5) Body Control Module (BCM)
- (6) Body Control Module (BCM), Connector C1
- (7) Body Control Module (BCM), Connector C2
- (8) Body Control Module (BCM), Connector C3

Body Control Module Schematics (Cell 51: Headlamps (Except Envoy))



LOC
DES
↑
↓

Underhood Fuse Block
CONN ID
C1=68 LT GRN
C2=68 BLK
C3=32 RED
C4=32 LT GRN
C5=2 BLK
C6=2 LT GRN

CONN ID
C1=BRN
C2=LT BLU
C3=PPL

Body Control Module