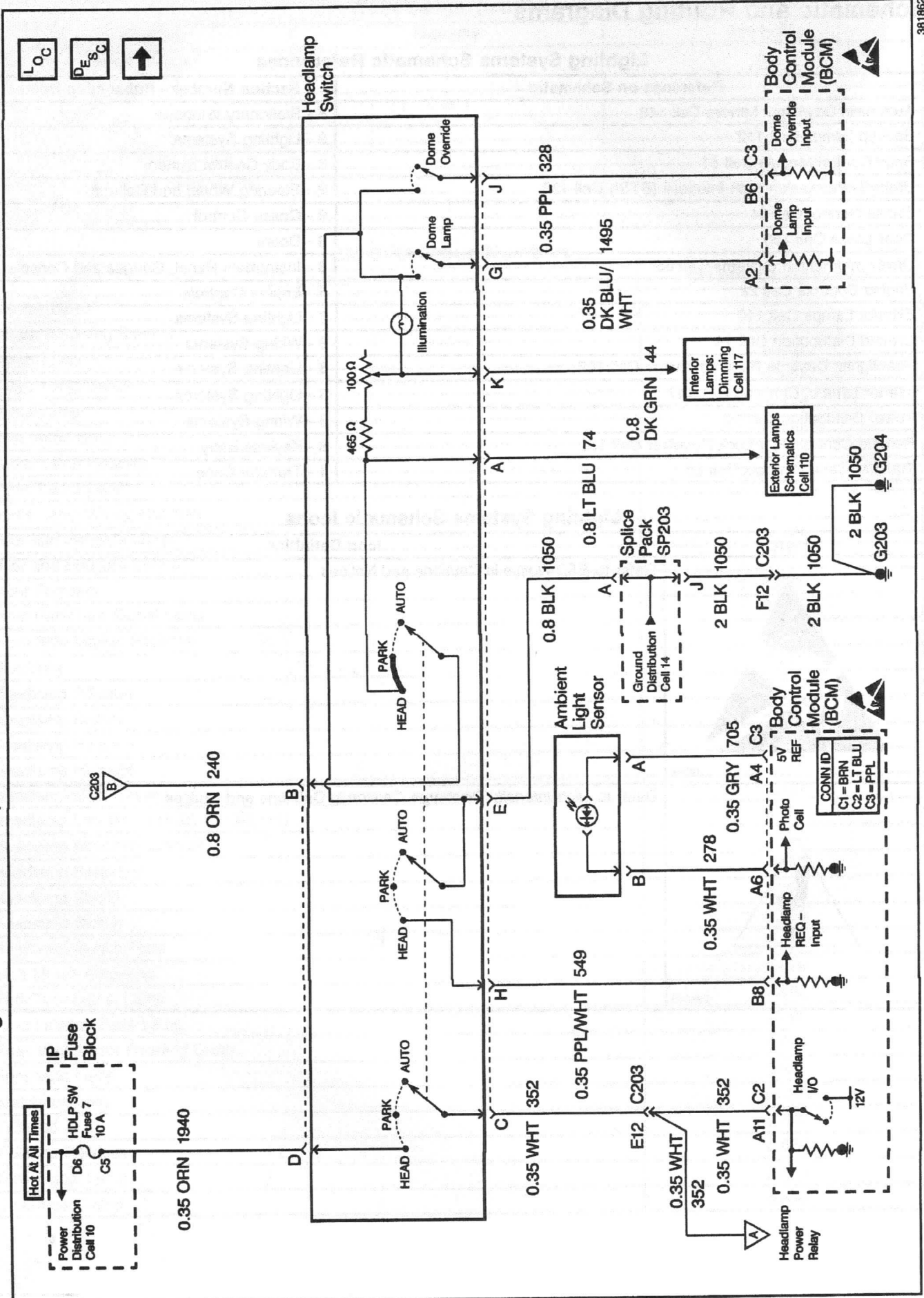
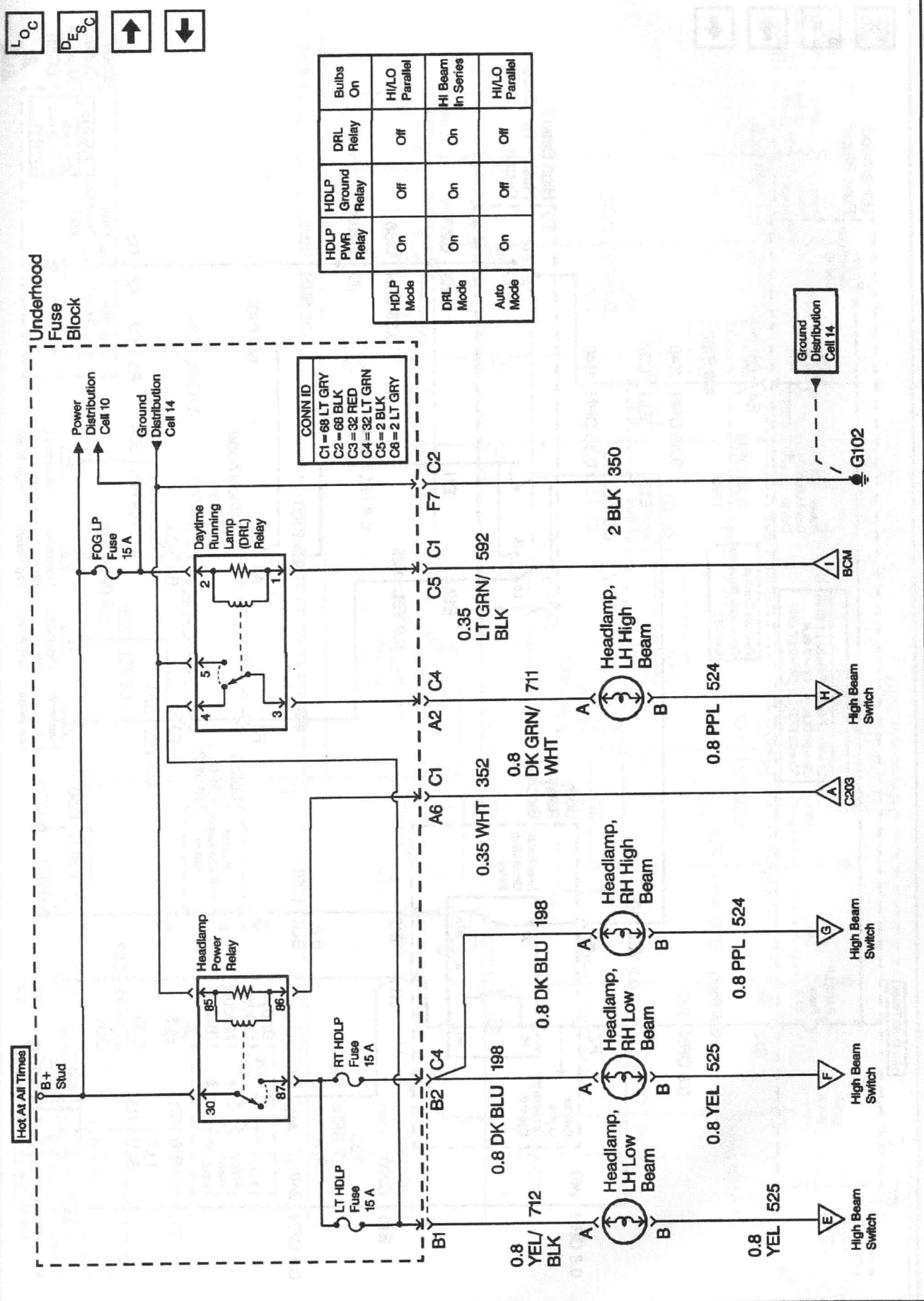


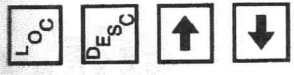
Headlights DRL Schematics (Cell 102: Headlamp Switch, Ambient Light Sensor and BCM)



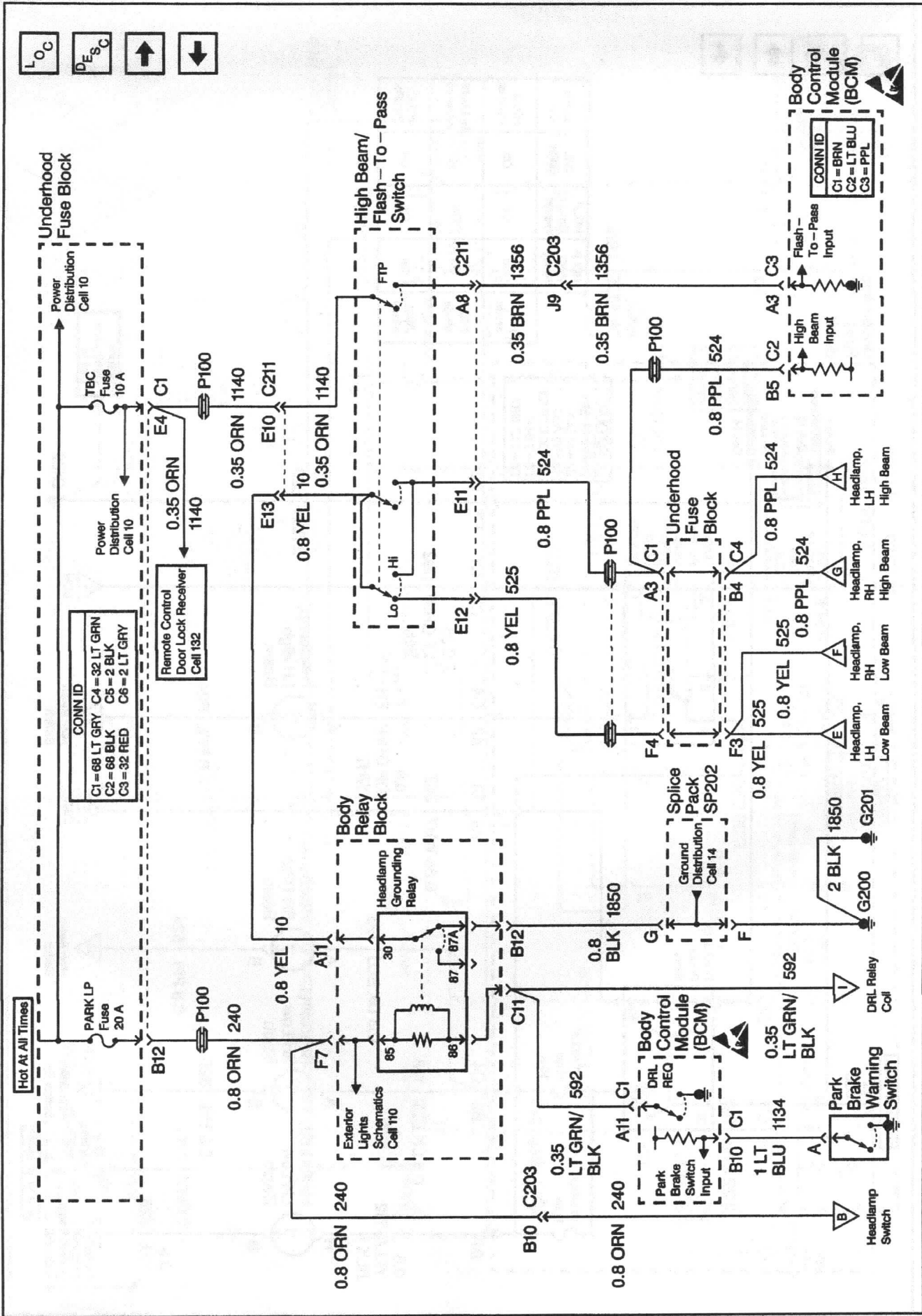
Headlights DRL Schematics (Cell 102: DRL and Headlamp Power Relays)



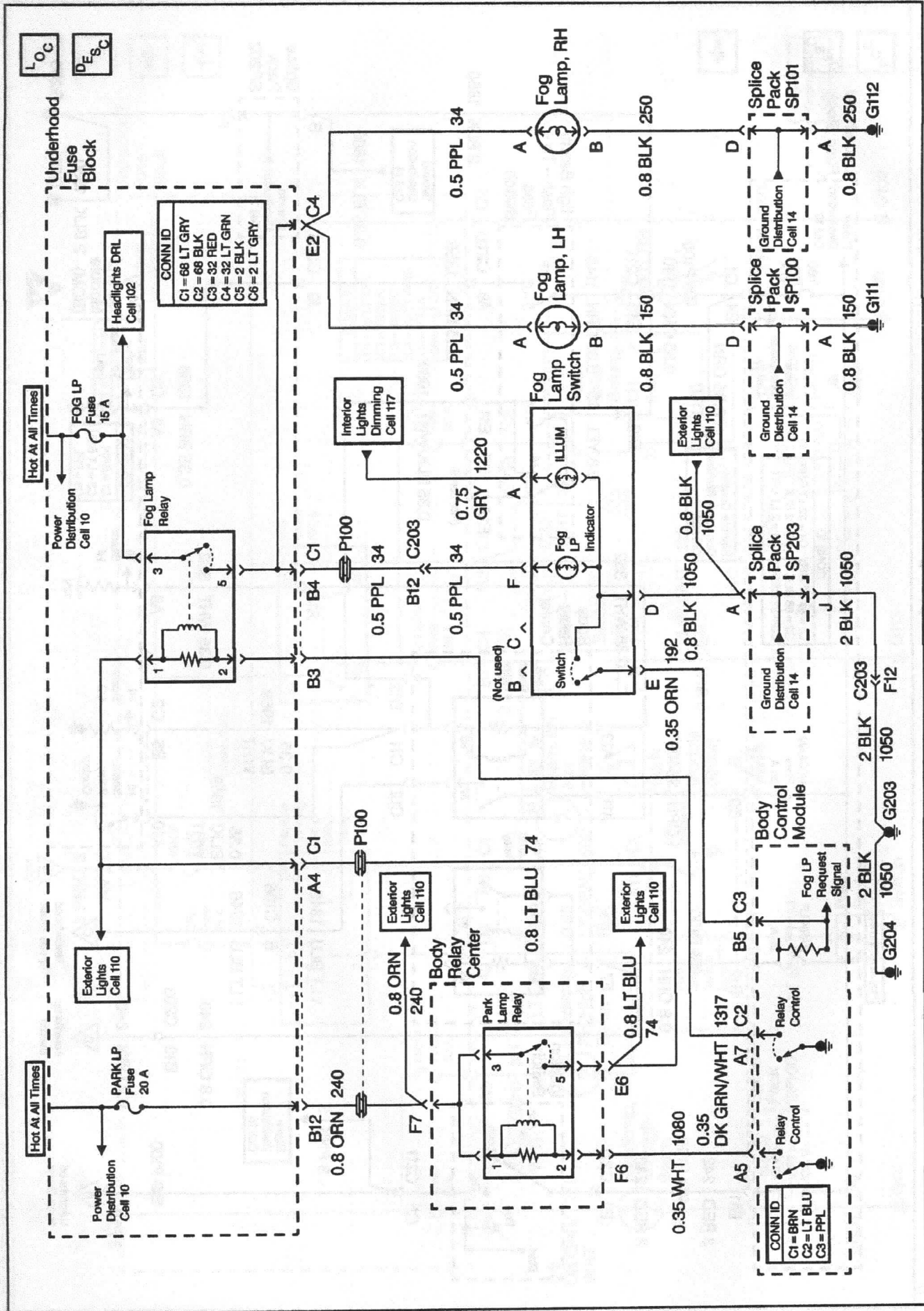
HDLP Mode	On	HDLP PWR Relay	On	HDLP Ground Relay	Off	DRL Relay	On	Bulbs	On
DRL Mode	On	On	On	Off	Off	On	Hi Beam In Series	Hi/LO Parallel	Hi/LO Parallel
Auto Mode	On	On	Off	Off	Off	Off	Hi/LO Parallel	Hi/LO Parallel	Hi/LO Parallel



Headlights DRL Schematics (Cell 102: Headlamp Grounding Relay, Flash-To-Pass Switch and BCM)



Fog Lights Schematics (Cell 103)



390328

Exterior Lights Schematics (Cell 110: PARK LP Fuse and Park Lamp Relay)

