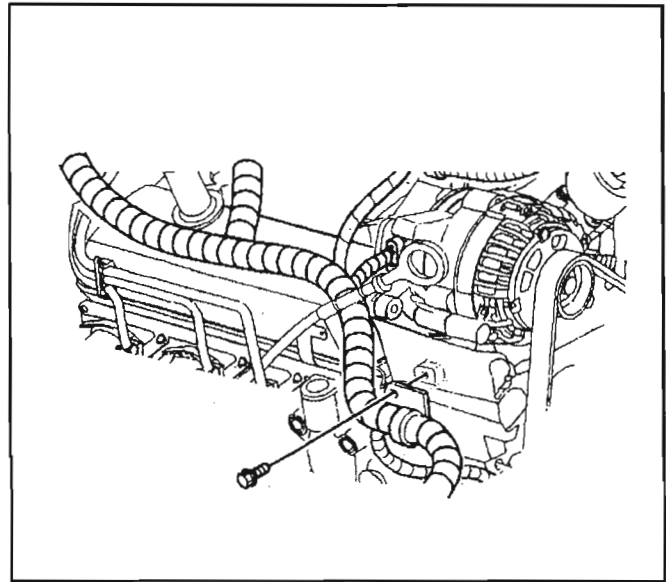


5. Install the engine wiring harness bracket to the generator mounting bracket.

**Tighten**

Tighten the engine wiring harness bracket bolt to 25 N·m (18 lb ft).

6. Install the generator. Refer to *Generator Replacement (4.3L)* in Engine Electrical.
7. Install the drive belt. Refer to *Drive Belt Replacement*.
8. Install the engine cooling fan. Refer to *Fan Clutch Replacement* in Engine Cooling.
9. Connect the battery negative cable. Refer to *Battery Replacement* in Engine Electrical.

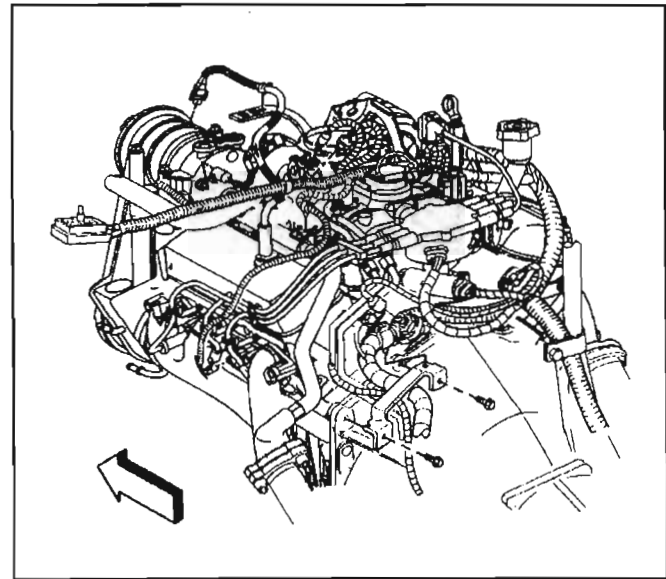


340790

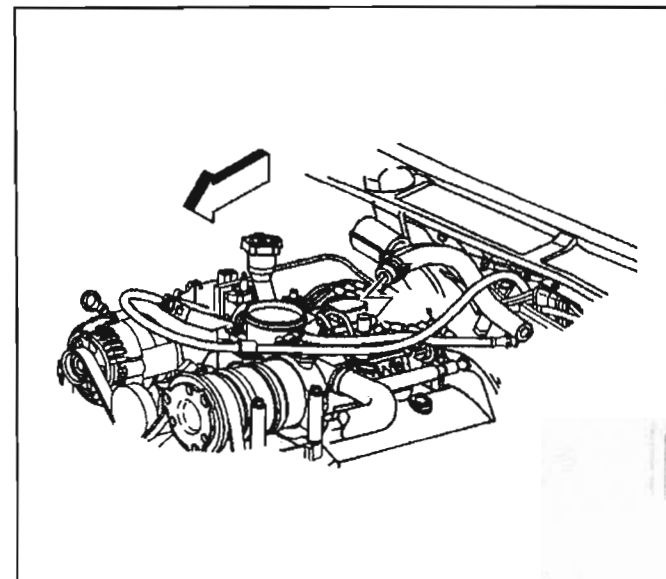
**Intake Manifold Replacement (Upper)**

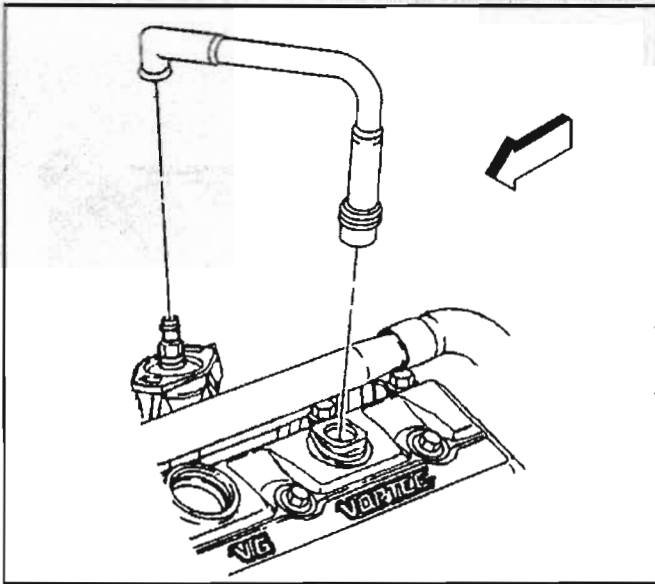
**Removal Procedure**

1. Remove the air cleaner outlet duct from the throttle body. Refer to *Air Cleaner Outlet Duct Replacement* in Engine Controls.
2. Remove the air cleaner assembly. Refer to *Air Cleaner Assembly Replacement* in Engine Controls.
3. Disconnect the following electrical connectors:
  - The A/C pressure switch, if equipped
  - The throttle position (TP) sensor
  - The idle air control (IAC) motor
  - The fuel meter body assembly connector
  - The manifold absolute pressure (MAP) sensor
  - The EVAP canister purge solenoid valve
4. Remove the EVAP canister purge solenoid valve. Refer to *EVAP Canister Purge Solenoid Valve Replacement* in Engine Controls.
5. Disconnect the vacuum hose from the intake manifold, if equipped with A/C.
6. Remove the vacuum brake booster hose.



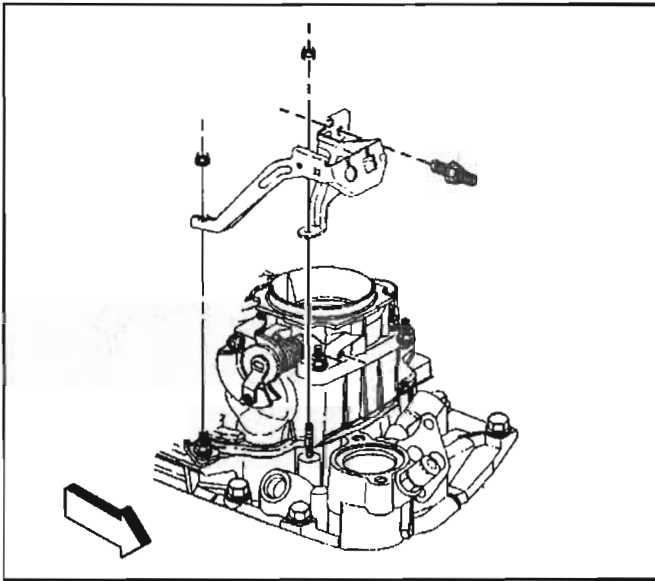
229041





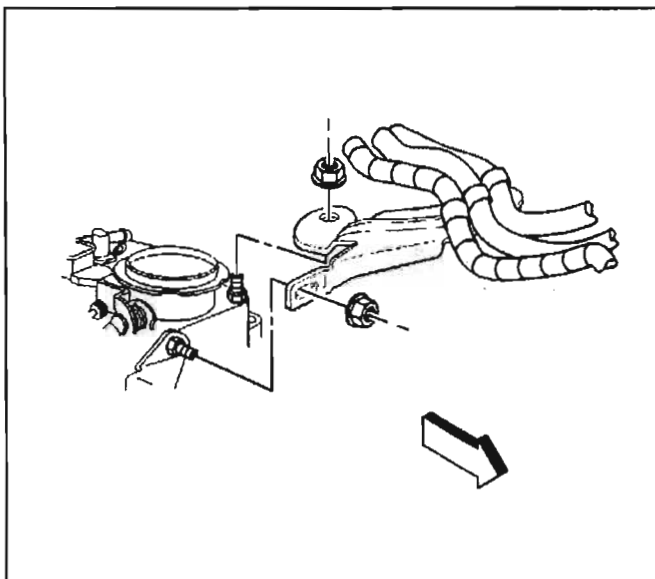
172995

7. Remove the PCV valve hose assembly from the intake manifold and the valve rocker arm cover.



398027

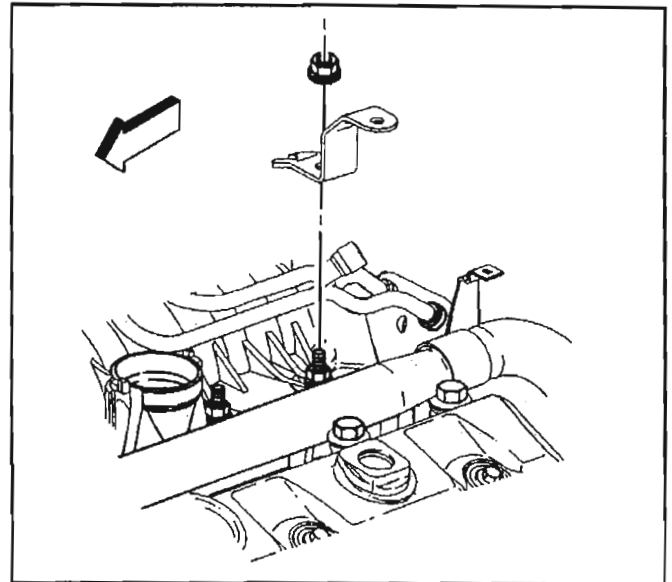
8. Disconnect the accelerator control cable from the throttle shaft and the accelerator cable bracket. Refer to *Accelerator Controls Cable Replacement* in Engine Controls.
9. Disconnect the cruise control cable, if equipped from the throttle shaft and the accelerator cable bracket. Refer to *Cruise Control Cable Replacement (4.3L)* in Cruise Control.
10. Remove the accelerator cable bracket from the throttle body and the intake manifold.



339439

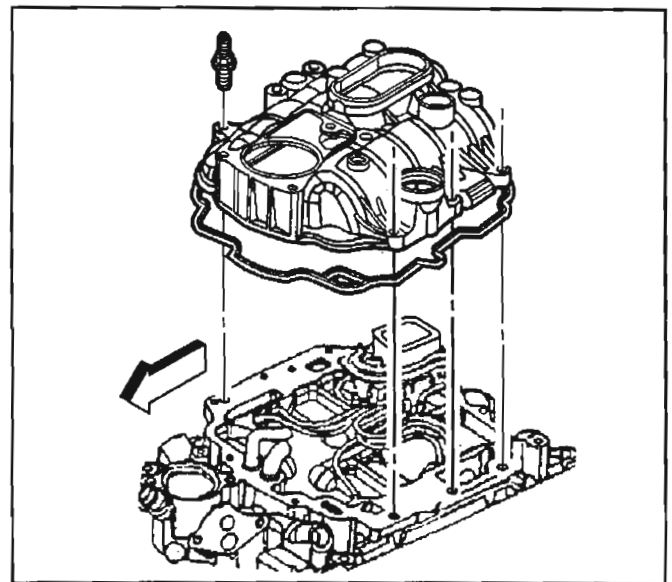
11. Remove the accelerator and cruise control cable bracket from the throttle body.  
Leave the accelerator and cruise control cables and the engine wiring harness on the bracket.

- 12. Remove the bracket for the engine wiring harness from the intake stud.
- 13. Remove the fuel lines from the fuel meter body assembly. Refer to *Fuel Hose/Pipes Replacement (Engine Compartment)* in Engine Controls.



339442

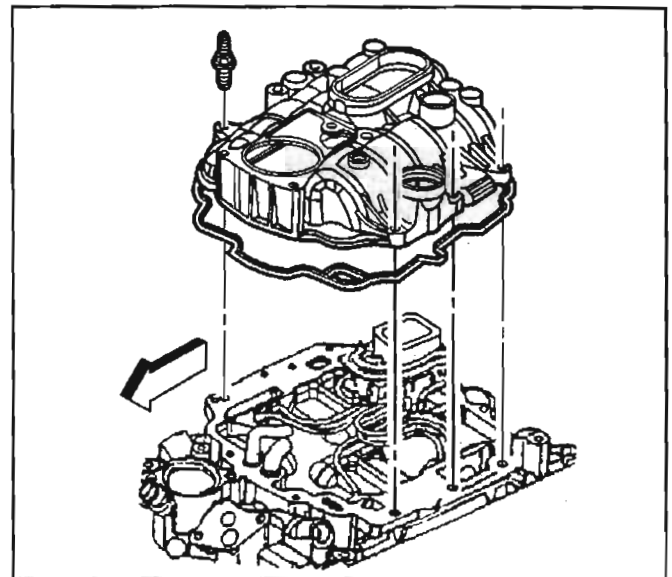
- 14. Remove the upper intake manifold. Refer to *Intake Manifold Disassemble*.
- 15. Clean all sealing surfaces. Refer to *Intake Manifold Clean and Inspect*.



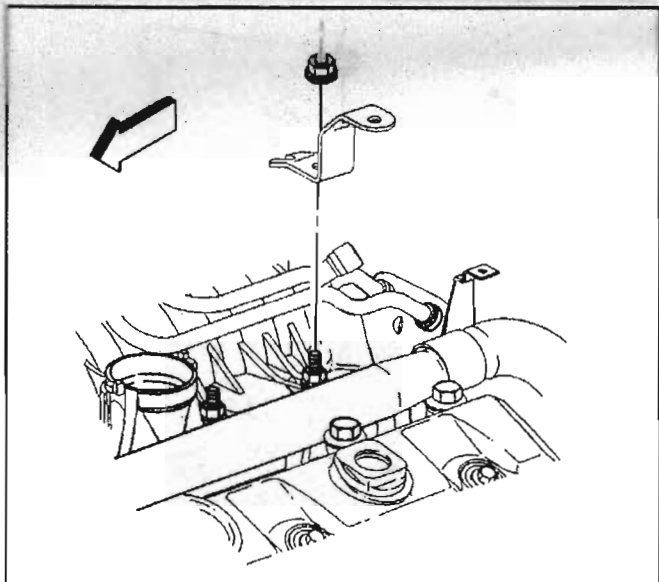
334513

**Installation Procedure**

- 1. Install the upper intake manifold. Refer to *Intake Manifold Assemble*.
- 2. Install the fuel lines to the fuel meter body assembly. Refer to *Fuel Hose/Pipes Replacement (Engine Compartment)* in Engine Controls.



334513



339442

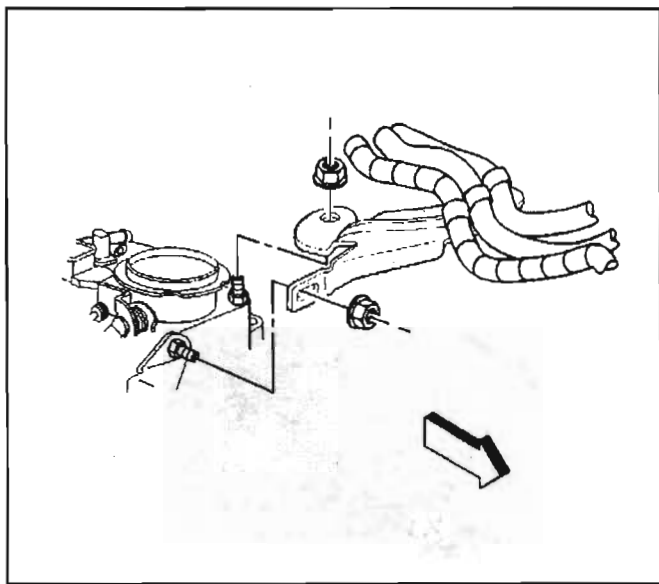
3. Install the bracket for the engine wiring harness on the lower intake manifold stud.

**Notice:** Refer to *Fastener Notice* in Cautions and Notices.

4. Install the engine wiring harness bracket nut.

**Tighten**

Tighten the engine wiring harness bracket nut to 12 N·m (106 lb in).



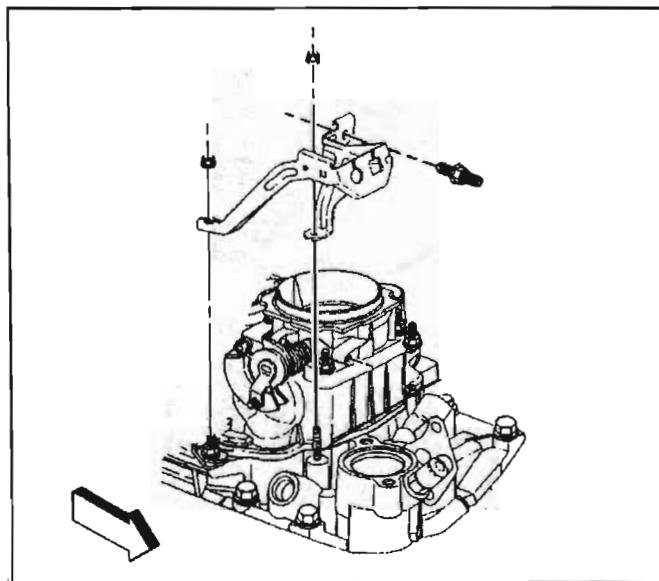
339439

5. Install the accelerator and cruise control cable bracket to the throttle body.

6. Install the accelerator and cruise control cable bracket nuts.

**Tighten**

Tighten the accelerator and cruise control cable bracket nuts to 9 N·m (80 lb in).



398027

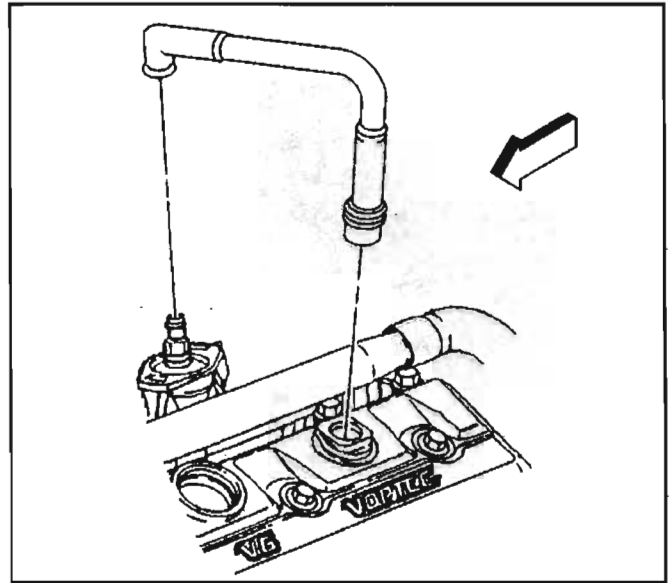
7. Install the accelerator control cable bracket to the throttle body and the intake manifold.

**Tighten**

Tighten the accelerator control cable bracket studs and nuts to 12 N·m (106 lb in).

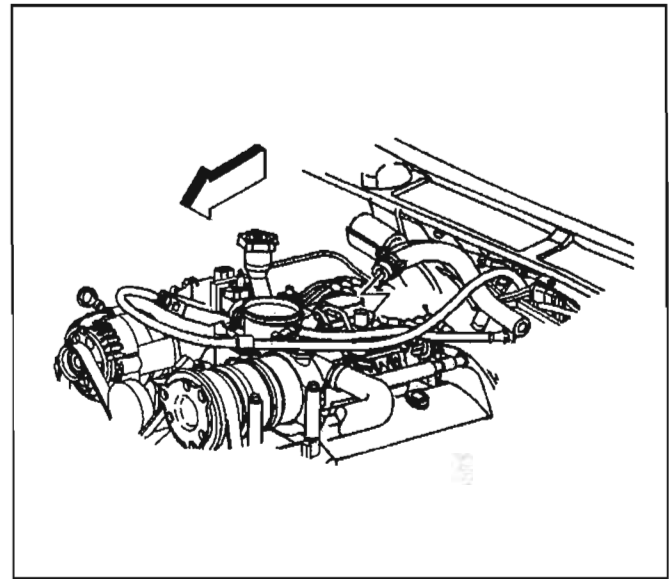
8. Install the cruise control cable, if equipped to the throttle shaft and the bracket. Refer to *Cruise Control Cable Replacement (4.3L)* in Cruise Controls.
9. Install the accelerator control cable to the throttle shaft and the bracket. Refer to *Accelerator Controls Cable Replacement* in Engine Controls.
10. Install the EVAP canister purge solenoid valve. Refer to *EVAP Canister Purge Solenoid Valve Replacement* in Engine Controls.

11. Connect the PCV valve hose assembly to the intake manifold and the valve rocker arm cover.



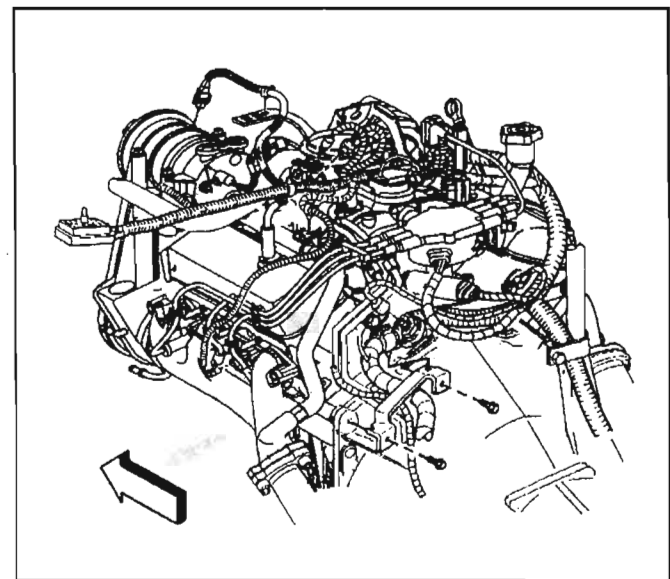
172995

12. Connect the vacuum hose to the intake manifold, if equipped with A/C.
13. Install the vacuum brake booster hose to the intake manifold.



346148

14. Connect the following electrical connectors:
  - The A/C pressure switch, if equipped
  - The throttle position (TP) sensor
  - The idle air control (IAC) motor
  - The fuel meter body assembly connector
  - The manifold absolute pressure (MAP) sensor
  - The EVAP canister purge solenoid valve
15. Install the air cleaner assembly. Refer to *Air Cleaner Assembly Replacement* in Engine Controls.
16. Install the air cleaner outlet duct to the throttle body assembly. Refer to *Air Cleaner Outlet Duct Replacement* in Engine Controls.



229041