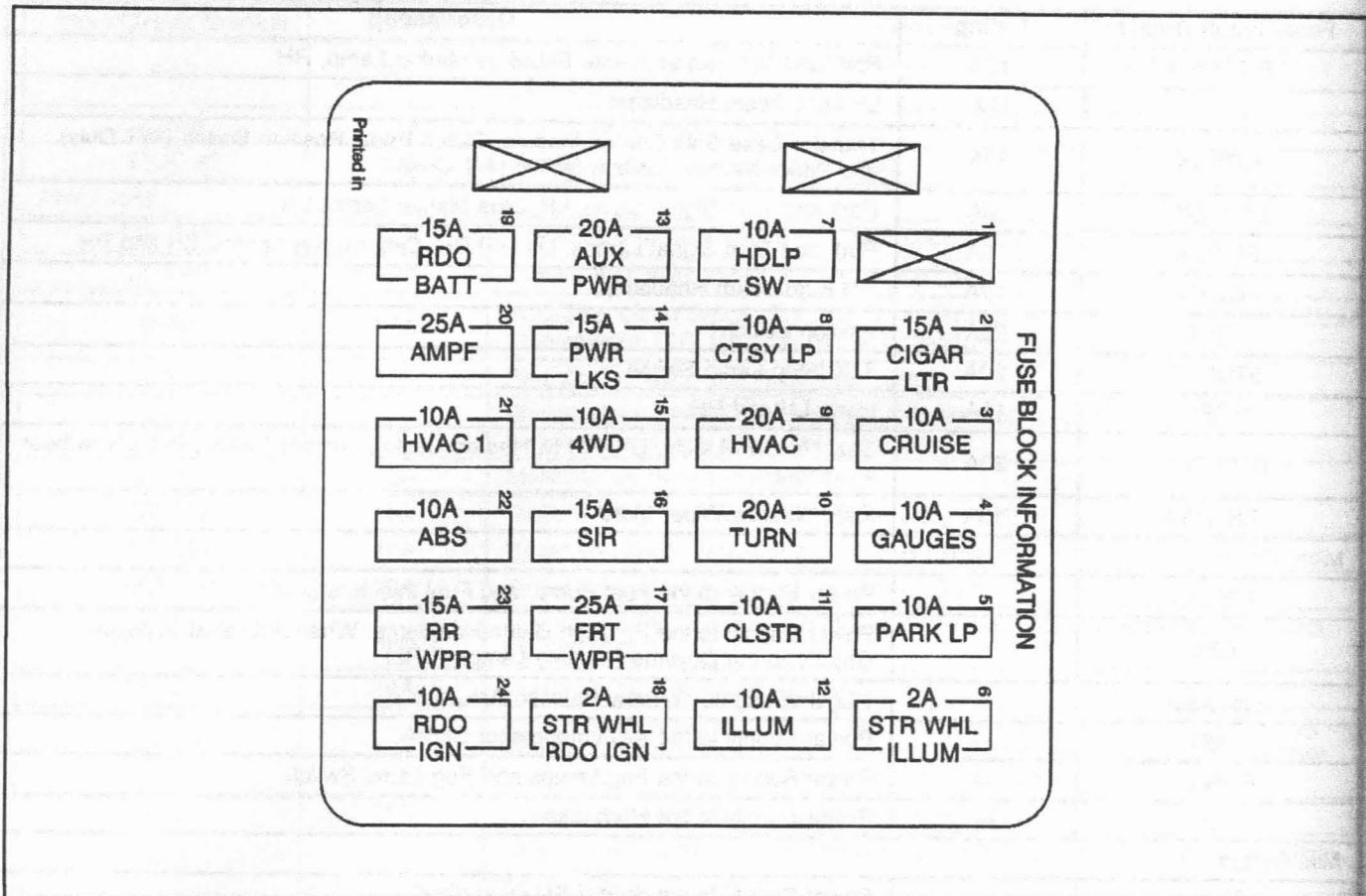


IP Fuse Block Details



38962

Fuse No.	Fuse/Circuit Breaker	Rating	Description
1	—	—	Not Used
2	CIGAR LTR	15A	Cigar Lighter and Data Link Connector (DLC)
3	CRUISE	10A	Body Control Module (BCM), Cruise Control Module (CCM), Multifunction Switch (Cruise Control Switch), and LH, RH Lumbar Switch (Utility w/Heated Seats, w/o Memory)
4	GAUGES	10A	Body Control Module (BCM), and Instrument Cluster
5	PARK LP	10A	Body Control Module (BCM), Outside Rear View Mirror Switch, Door Lock and Side Window Switch LH and RH, Side Window Lockout Switch, and Rear Seat Audio Control (Envoy only), IP Ashtray Lamp (Except Envoy)
6	STR WHL ILLUM	2A	Steering Wheel Controls (Utility Only)
7	HDLP SW	10A	Headlamp Switch
8	CTSY LP	10A	Console Courtesy Lamps, LH and RH, Inadvertent Power Lamp Relay, and Transfer Case Shift Control Module (NP1)
9	HVAC	20A	Heater Controller (Non-A/C - w/o Electronic Climate Control) and Heater and A/C Controller (w/ A/C - w/o Electronic Climate Control)
10	TURN	20A	Multifunction Switch (Hazard Switch)

Fuse No.	Fuse/Circuit Breaker	Rating	Description
11	CLSTR	10A	Instrument Cluster, Powertrain Control Module (PCM) (2.2L), Vehicle Control Module (VCM) (4.3L), Brake Transmission Shift Interlock (BTSI) Solenoid (4.3L w/Floor Shift A/T), and Automatic Transmission
12	ILLUM	10A	Radio, Heater Controller (Non-A/C)(Pickup only), Heater and A/C Controller (w/ A/C), Electronic Climate Control (ECC) Module (Utility, w/Auto A/C), Fog Lamp Switch, Rear Wiper/Washer and Endgate/Liftgate window Release Switch (Utility), Driver Information Display Module(Utility), Automatic Transmission Position Indicating Lamp (Utility, w/Floor Shift A/T), Supplemental Restraint IP Module Switch (Pickup), Body Control Module (BCM), Transfer Case Select Switch, and Instrument Cluster
13	AUX PWR	20A	Auxiliary Power Outlet, LH and RH, Auxiliary Power Receptacle, Floor Console (Envoy), Auxiliary Power Receptacle Rear, (Envoy)
14	PWR LKS	15A	Door Lock Relay, Door Unlock Relay, and Driver Door Unlock Relay (w/Power Door Locks)
15	4WD	10A	Vehicle Control Module (VCM), Transfer Case Shift Control Module, Transfer Case Select Switch (w/Electric Shift 4WD), Front Drive Axle Clutch Solenoid (w/Electric Shift 4WD), and Front Axle Switch (w/Electric Shift 4WD)
16	SIR	15A	Supplemental Restraint IP Module Switch, and Supplemental Restraint Sensing and Diagnostic Module (SDM)
17	FRT WPR	25A	Windshield Wiper Motor, and Multifunction Switch (Wiper Switch)
18	STR WHL RDO IGN	2A	Steering Wheel Controls (Utility only)
19	RDO BATT	15A	Radio, Instrument Cluster, Electronic Climate Control (ECC) Module (w/ECC), Vehicle Interface unit (Envoy w/ECC only), Remote Audio Player, (Bravada w/ECC only)
20	AMPF	25A	Amplifier (w/Premium Audio)
21	HVAC 1	10A	Air Temperature Valve Sensor and Motor, Heater Controller (Pickup), Heater and A/C Controller, Inside Rear View Mirror (Utility w/Automatic Day - Night Mirror), Electronic Climate Control (ECC) Module (Utility w/ECC), Inside Air Temperature Sensor (Utility w/ECC), Inside Air Temperature Sensor (Utility w/ECC), HVAC Solenoid Assembly (Utility w/ECC)
22	ABS	10A	TCC/Stop Lamp Switch, and Electronic Brake Control Module (EBCM)
23	RR WPR	15A	Rear Wiper/Washer Switch and Endgate/liftgate Window Release Switch (Utility only)
24	RDO IGN	10A	Radio, Driver Information Display Module (Utility only), Rear Audio Module (Envoy only), Vehicle Interface Unit (VIU) (Envoy only), and Outside Rear View Mirror Switch (Envoy only)

39623

/,

ter