

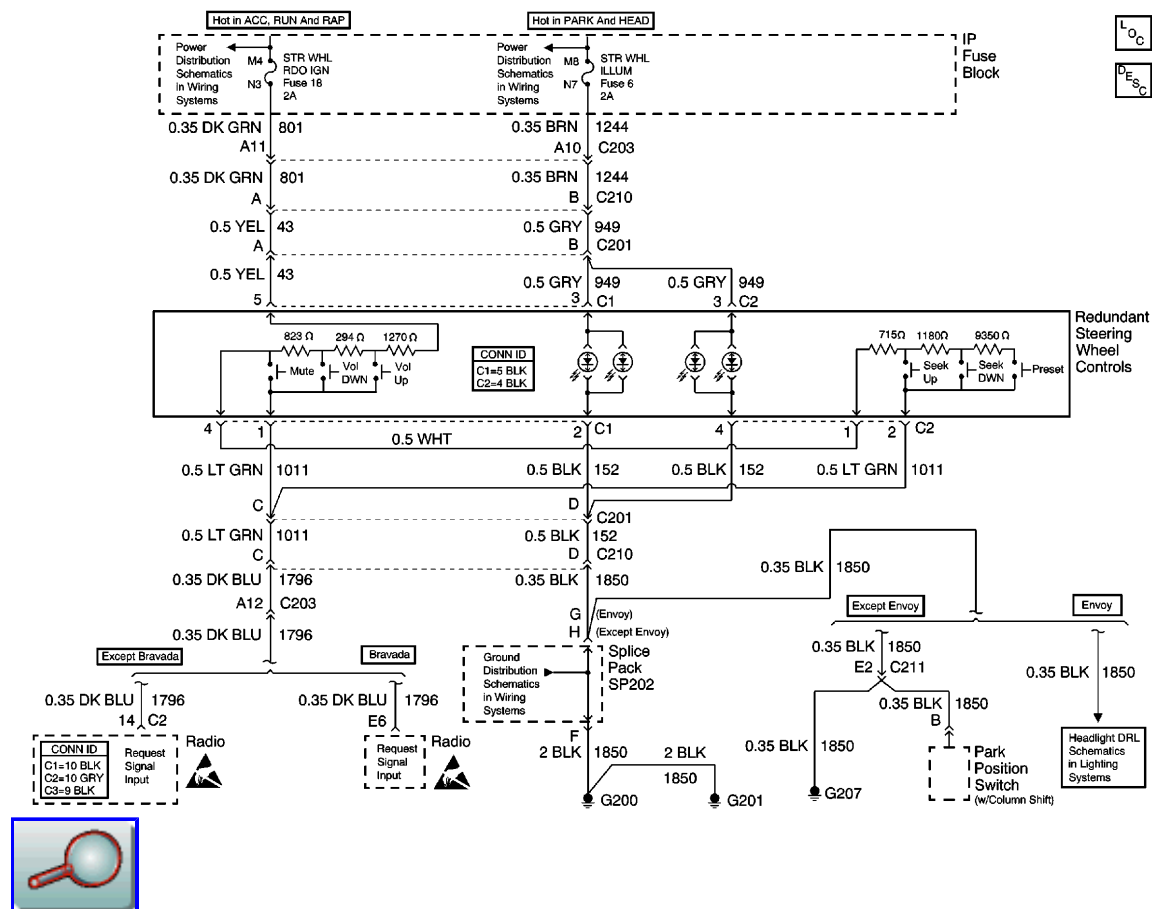
<- Back

Forward ->

Document ID# 561801 2000 Chevrolet/Geo Blazer - 2WD

Print

Steering Wheel Controls Schematics



<- Back

Forward ->

Document ID# 561801 2000 Chevrolet/Geo Blazer - 2WD

Print