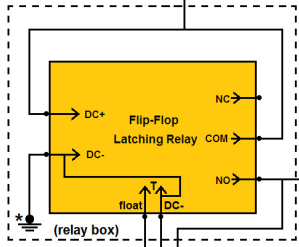
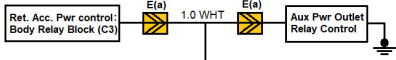
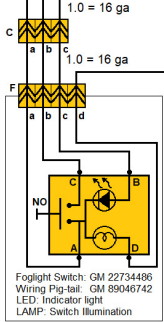


2022-12-30



*Common ground in relay box for all bypass relays/connected to circuit 1850 in BCM



Foglight Switch: GM 22734408
Wiring Pg-fall: GM 89046742
LED: Indicator light
LAMP: Switch Illumination

Connectors:

Connector	Wire Gauges
A: 4-way Metri-Pack 150	0.22 = 24 ga
B: 4-way Metri-Pack 150	0.35 = 22 ga
C: 3-way Metri-Pack 150	0.5 = 20 ga
D: 6-way Metri-Pack 150	0.8 = 18 ga
E: 1-way Packard 56 Series	1.0 = 16 ga
F: 4-way Metri-Pack 150	2.0 = 14 ga
G: 6-way Metri-Pack 150	3.0 = 12 ga

Connector Pinouts:

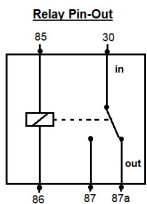
Mods: A(b) = connector A, pin b
BCM: B5 (C3) = pin B5 on plug 3

Relay Locations

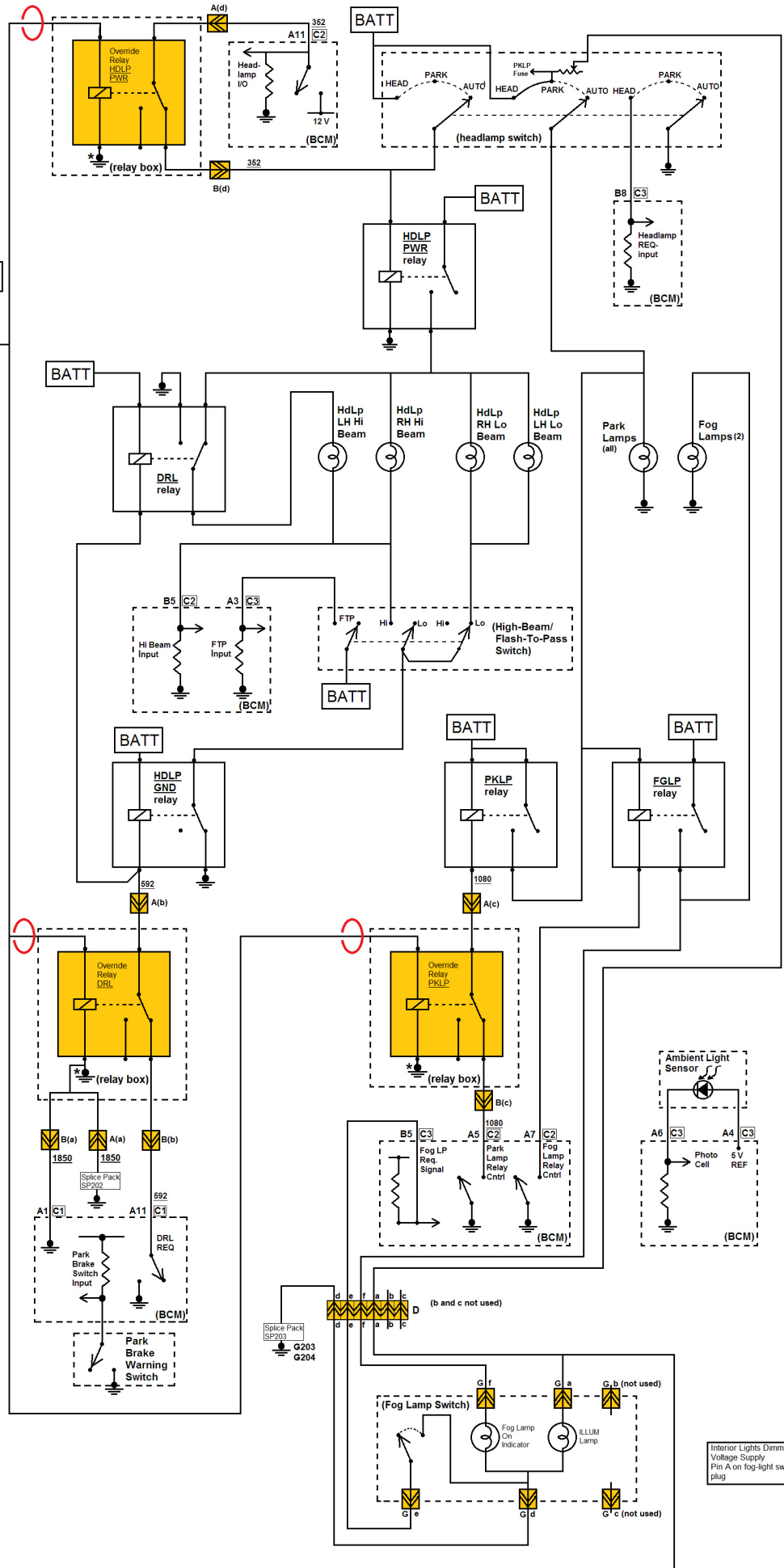
Body Relay Block	Underhood Fuse Block
HDLF GND relay	HDLF PWR relay
PKLP relay	DRL relay
	FGLP relay

BCM wires

Wire #	Size	Color	(pin#/plug#)
1850	0.80	BLK	(A1/C1)
592	0.35	LT GRN/BLK	(A11/C1)
1080	0.35	WHT	(A5/C2)
352	0.35	WHT	(A11/C2)



Connector Polarity



Interior Lights Dimming Voltage Supply
Pin A on fog-light switch plug