

4.3L VIN X

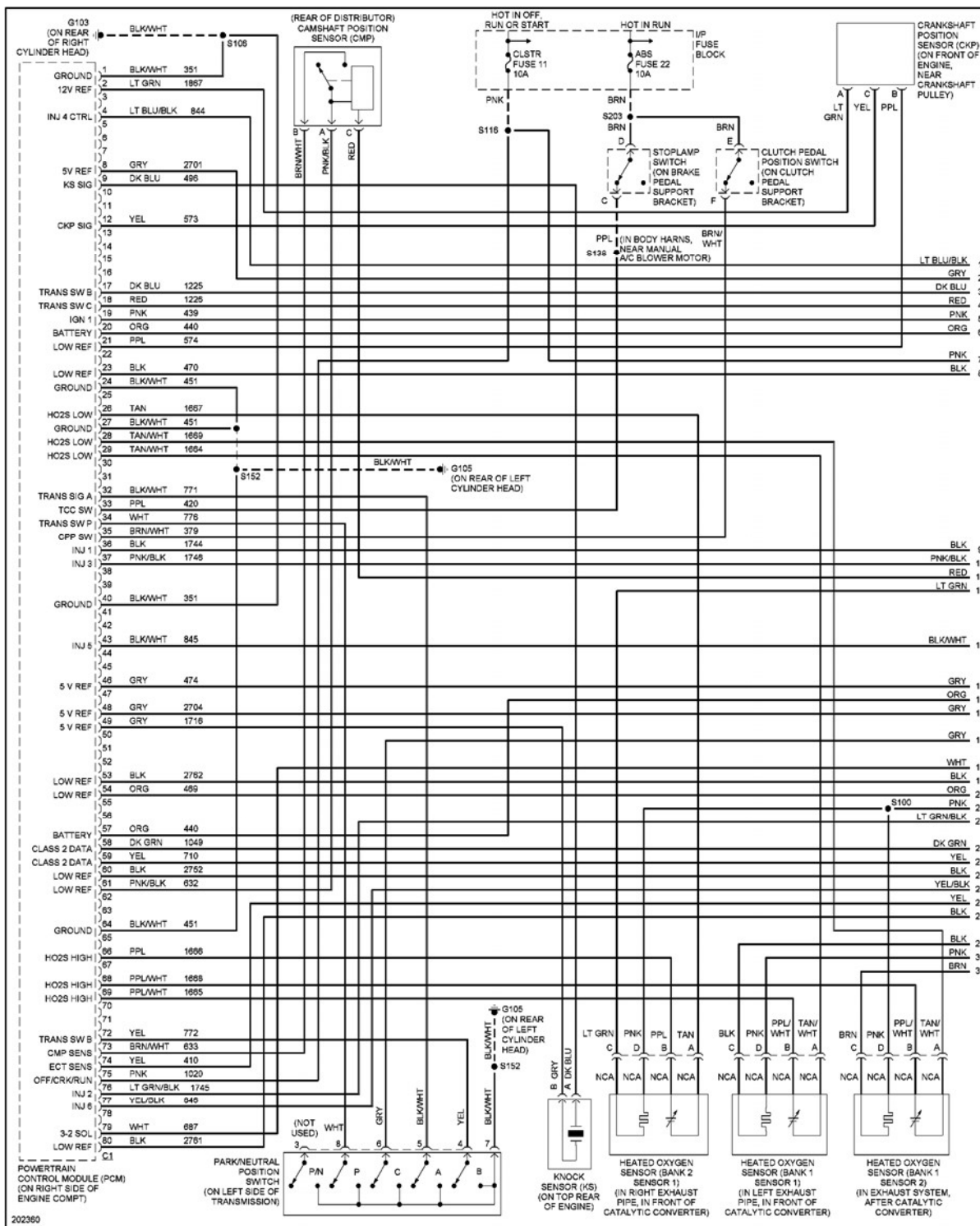


Fig. 10: 4.3L VIN X, Engine Performance Circuit (1 of 4)