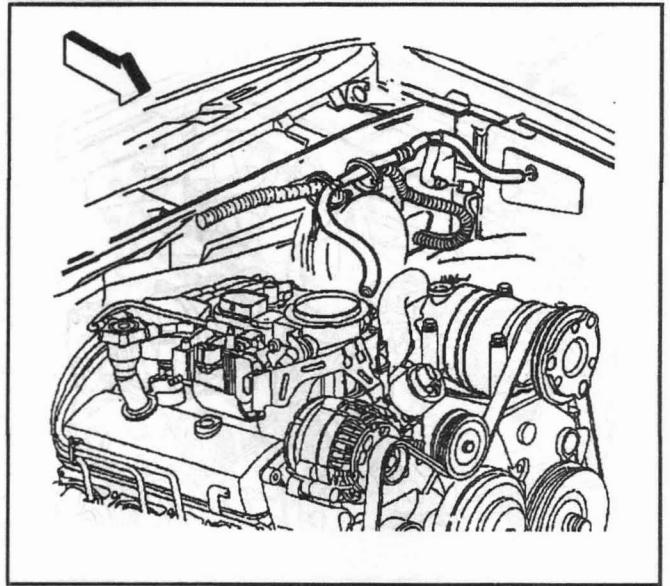


Vacuum Tank Replacement

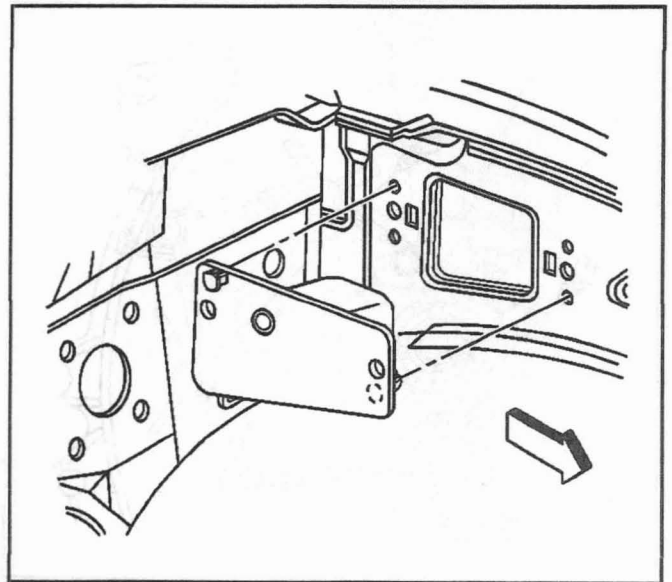
Removal Procedure

1. Remove the brake pressure modulator valve. Refer to *Brake Pressure Modulator Valve Replacement* in Antilock Brake System.
2. Disconnect the vacuum hose(s).



281475

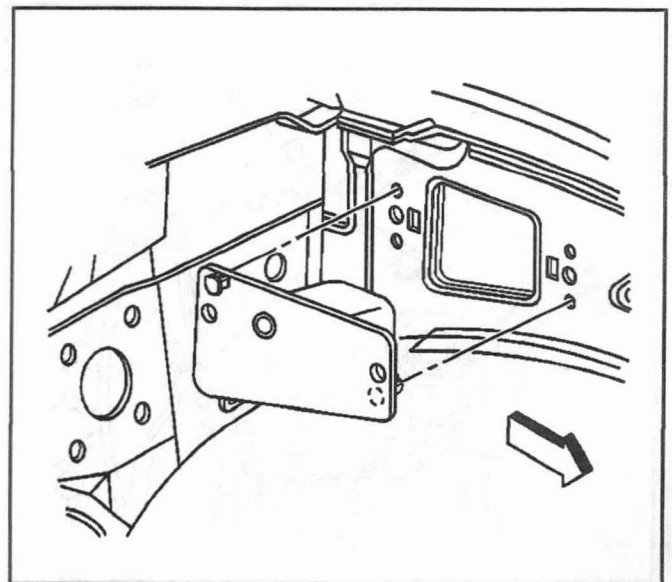
3. Using a flat-bladed tool, depress the retaining tabs in order to remove the vacuum tank.

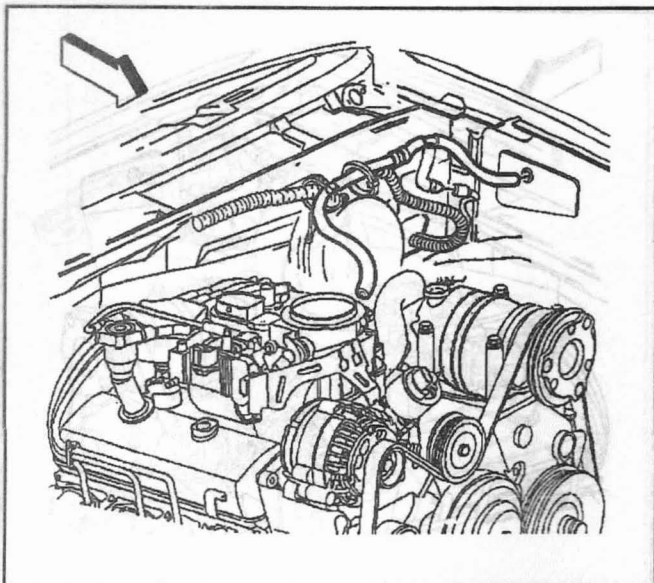


281477

Installation Procedure

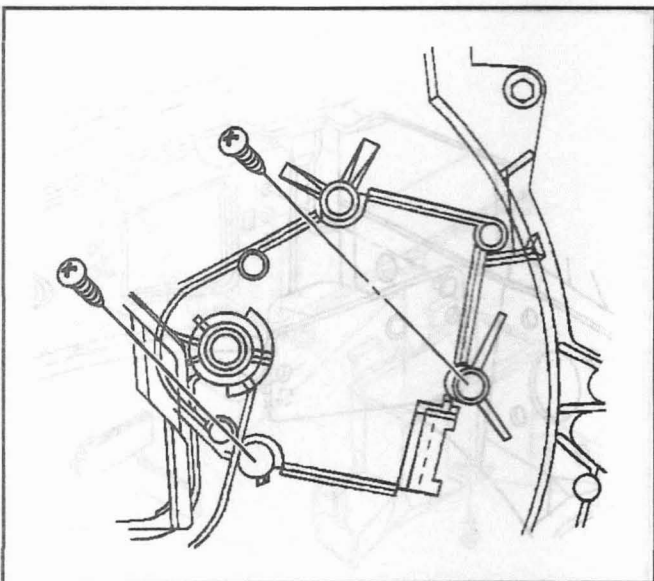
1. Install the vacuum tank. Ensure that the retaining tabs lock into place.





281475

2. Install the vacuum hose(s).
3. Install the brake pressure modulator valve. Refer to *Brake Pressure Modulator Valve Replacement* in Antilock Brake System.



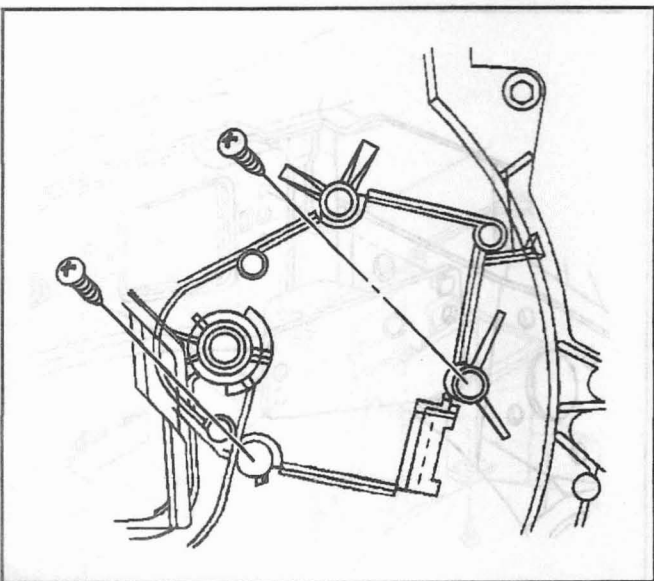
404930

Temperature Actuator Replacement

Removal Procedure

The temperature valve actuator is located on the top right side of the heater/vent module.

1. Remove the instrument panel carrier. Refer to *IP Carrier Replacement* in Instrument Panel, Gauges, and Console.
2. Disconnect the electrical connector.
3. Remove the temperature valve actuator retaining screws.
4. Remove the temperature valve actuator.



404930

Installation Procedure

1. Install the temperature valve actuator. Ensure that the actuator is seated on the locating tab.

Notice: Refer to *Fastener Notice* in Cautions and Notices.

2. Install the temperature valve actuator retaining screws.

Tighten

Tighten the screws to 1.9 N·m (17 lb ft).

3. Install the instrument panel carrier. Refer to *IP Carrier Replacement* in Instrument Panel, Gauges, and Console.
4. Perform a heater output temperature check. Refer to *Heater Output Temperature Check*.