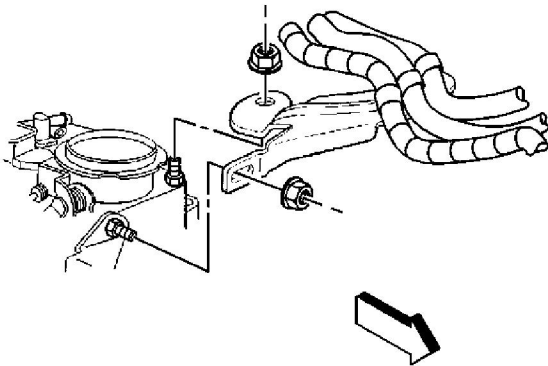
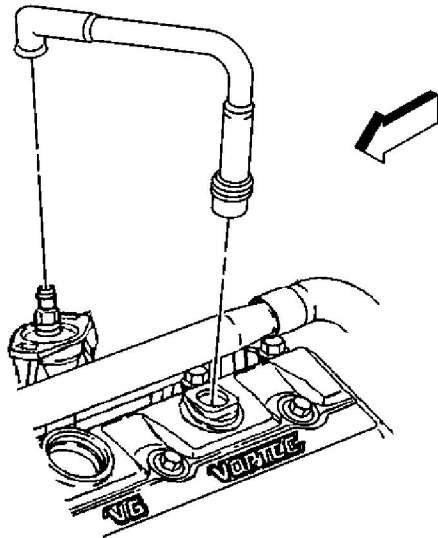


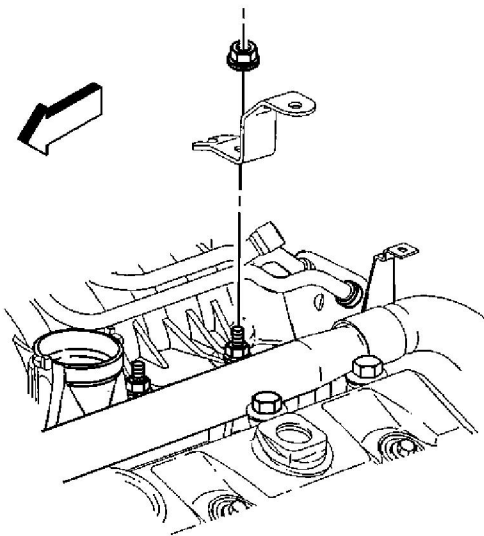
10. Remove the accelerator cable bracket from the throttle body and the intake manifold.



11. Remove the accelerator and cruise control cable bracket from the throttle body. Leave the accelerator and cruise control cables on the bracket.



12. Remove the PCV valve hose assembly from the intake manifold and the valve rocker arm cover.



13. Remove the bracket for the engine wiring harness from the intake manifold stud.
14. Remove the fuel lines from the fuel meter body assembly. Refer to [Fuel Hose/Pipes Replacement - Engine Compartment](#) in Engine Controls.
15. Remove the EVAP canister purge solenoid valve. Refer to [Evaporative Emission \(EVAP\) Canister Purge Solenoid Valve Replacement](#) in Engine Controls.