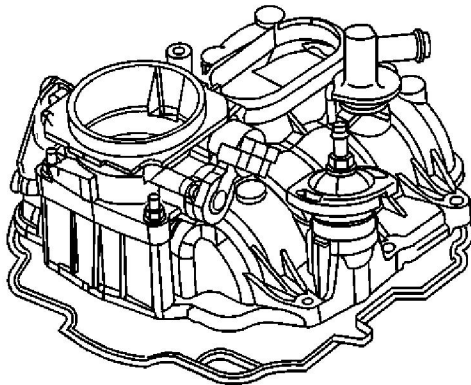
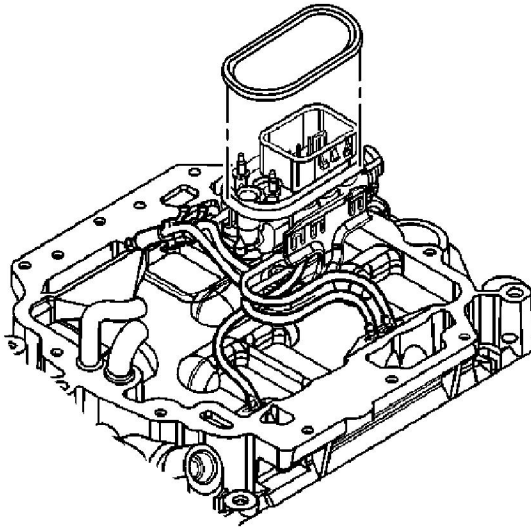


16. Remove the studs for the upper intake manifold.
17. Remove the upper intake manifold.



18. Remove the upper intake manifold gasket from the groove.
19. Discard the gasket.



20. Remove the seal from the fuel meter body assembly.
21. Discard the seal.

Important

Do not immerse the assembled upper intake manifold in cleaning solvent.

22. Clean all sealing surfaces and the inside of the upper intake manifold with a shop towel and cleaning solvent.
23. Inspect the upper intake manifold for the following:
 - ⌋ Cracks or other damage to the exterior
 - ⌋ Cracking or damage to the gasket grooves
 - ⌋ Loose or damaged bolt hole thread inserts
 - ⌋ Damage to the throttle body mounting surface

