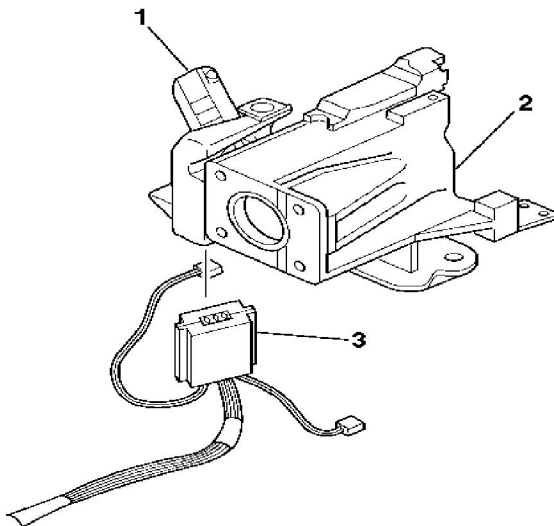
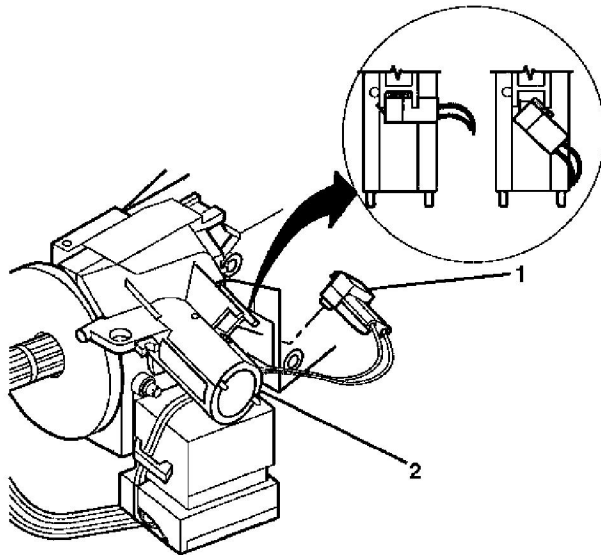


8. Slide the ignition and key alarm switch assembly (2) out of the lock module assembly (1) by releasing the tabs.

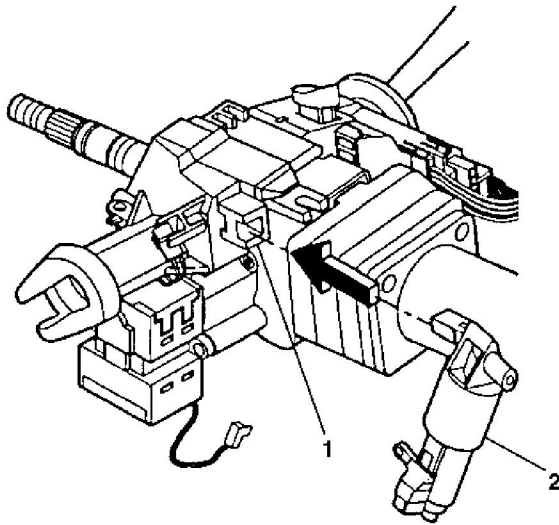
Installation Procedure



1. Slide the ignition and key alarm switch assembly (2) into the lock module assembly (1).



2. Install the key alarm connector (1) into the lock module assembly (2).
 - A. Push the key alarm connector (1) into the lock module assembly (2).
 - B. Rotate the key alarm connector (1) 90 degrees so that the key alarm connector (1) locks into place.
 - C. Install the passkey connector into the lock module assembly (2).



3. Snap the electric park lock (2) onto the lock module assembly (2), for vehicle equipped with floor shifters.