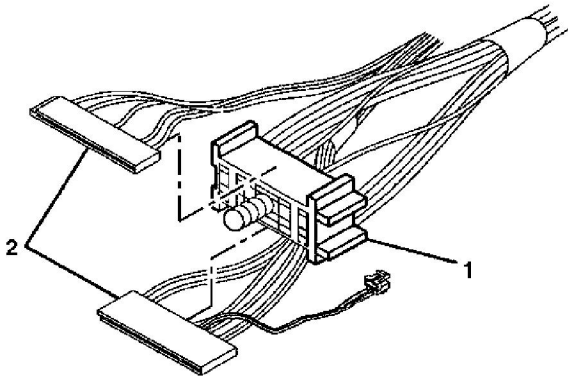
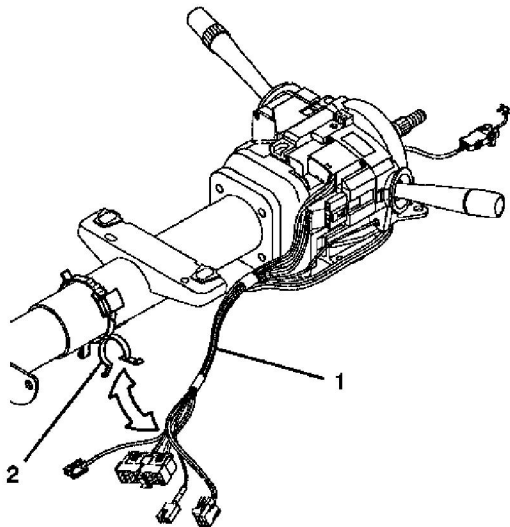


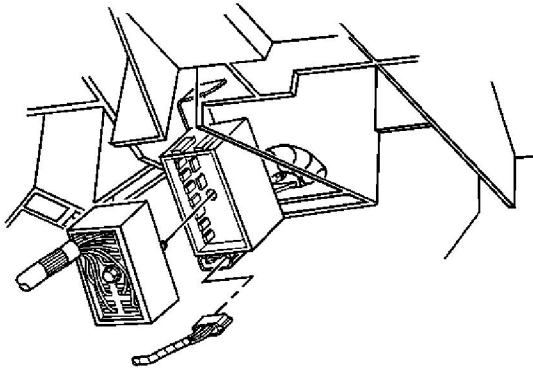
4. Reconnect the connector (2) to the electric park lock (1), for vehicle equipped with floor shifters.



5. Slide the 2 connectors (2) of the turn signal and multifunction switch assembly into the bulkhead connector (1).



6. Attach the wire harness assembly (1) to the steering column with new wire harness straps (2).



7. Connect the steering column electrical connectors.
8. Install the steering column trim covers to the steering column. Refer to [Steering Column Trim Cover Replacement - On Vehicle](#).
9. Enable the SIR system. Refer to [Enabling the SIR System](#) in SIR.

<- Back

Forward ->

Document ID# 603161
2000 Chevrolet/Geo Blazer - 4WD

Print