

Fig. 3: Compressor Circuit, Manual A/C

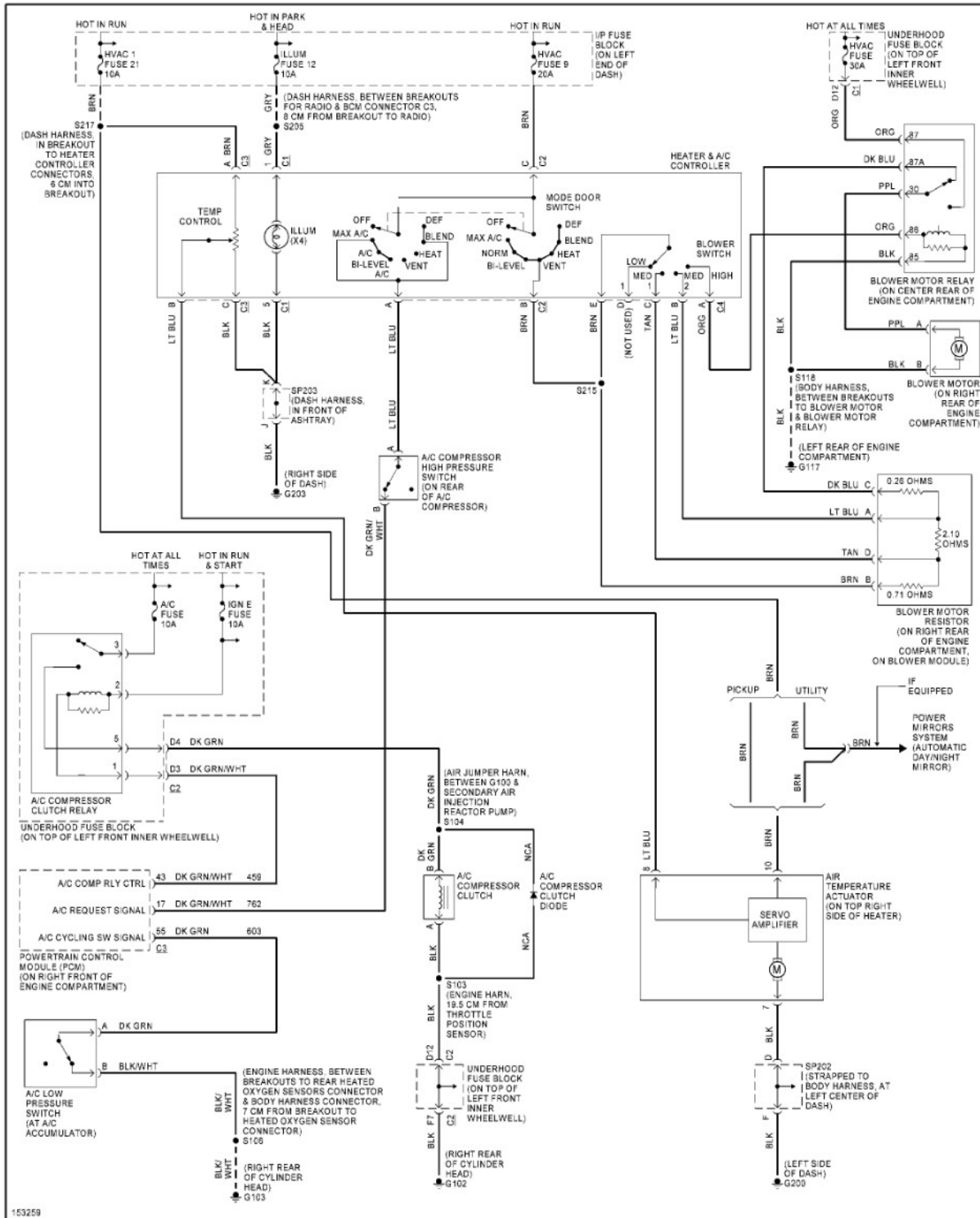


Fig. 4: Manual A/C Circuit

ANTI-LOCK BRAKES