

<- Back

Forward ->

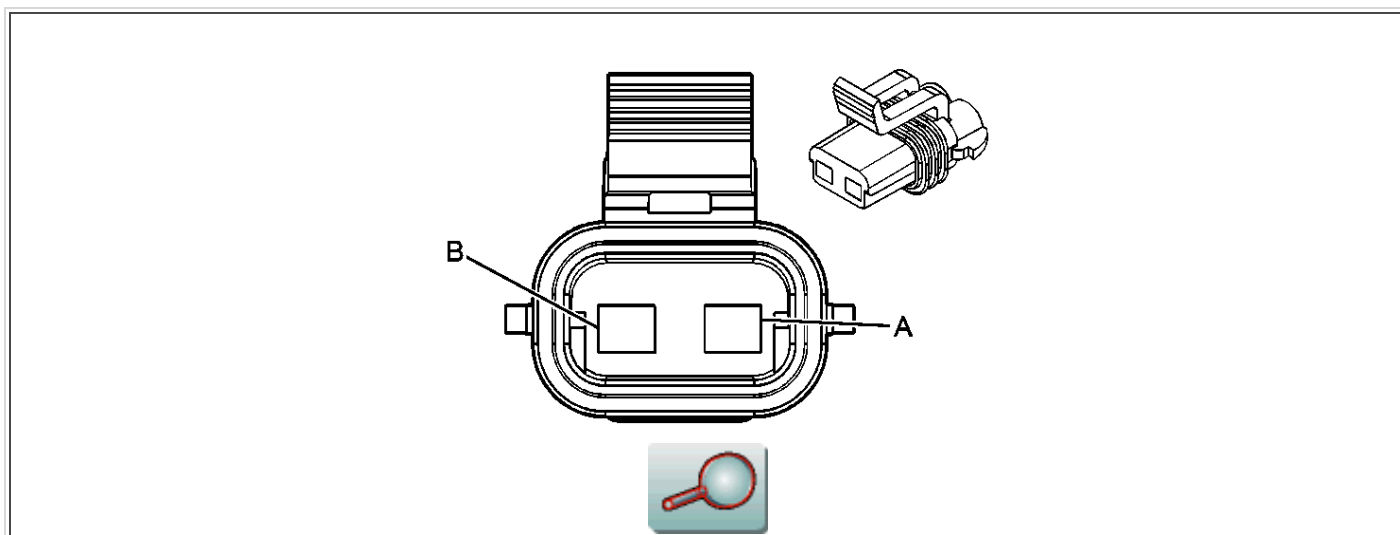
Document ID# 881985
2004 Chevrolet Blazer - 4WD

Print

Power Door Systems Connector End Views

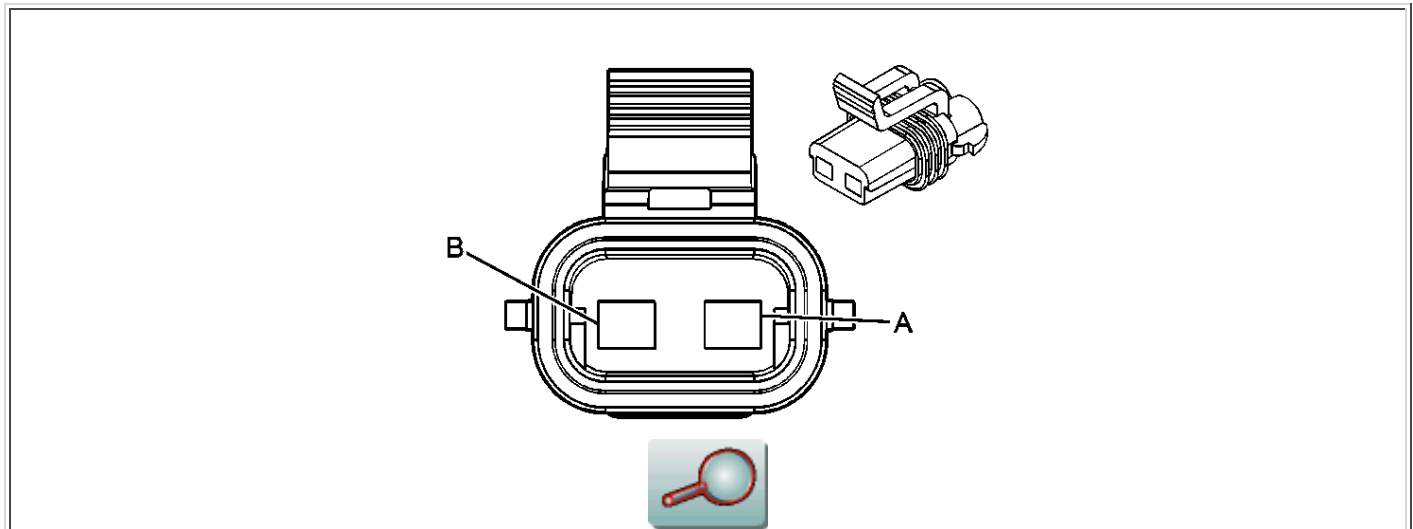
Table 1: [Door Lock Actuator - Driver](#)**Table 2:** [Door Lock Actuator - Front Passenger, RR, LR](#)**Table 3:** [Door Lock Cylinder Switch - Driver/Front Passenger \(Except LH Utility w/Content Theft\)](#)**Table 4:** [Door Lock Cylinder Switch - Driver \(Utility w/Content Theft\)](#)**Table 5:** [Door Lock and Window Switch - Driver C1](#)**Table 6:** [Door Lock and Window Switch - Driver C2](#)**Table 7:** [Door Lock and Window Switch - Front Passenger C1](#)**Table 8:** [Door Lock and Window Switch - Front Passenger C2](#)**Table 9:** [Liftglass/End Gate Lock Cylinder Switch](#)**Table 10:** [Outside Rearview Mirror Switch](#)**Table 11:** [Outside Rearview Mirror - Driver](#)**Table 12:** [Outside Rearview Mirror - Front Passenger](#)**Table 13:** [Outside Rearview Folding Mirror Switch \(Export\)](#)**Table 14:** [Window Lockout Switch](#)**Table 15:** [Window Motor - Driver](#)**Table 16:** [Window Motor - Front Passenger](#)**Table 17:** [Window Motor - LR](#)**Table 18:** [Window Motor - RR](#)**Table 19:** [Window Switch - LR](#)**Table 20:** [Window Switch - RR](#)

Door Lock Actuator - Driver



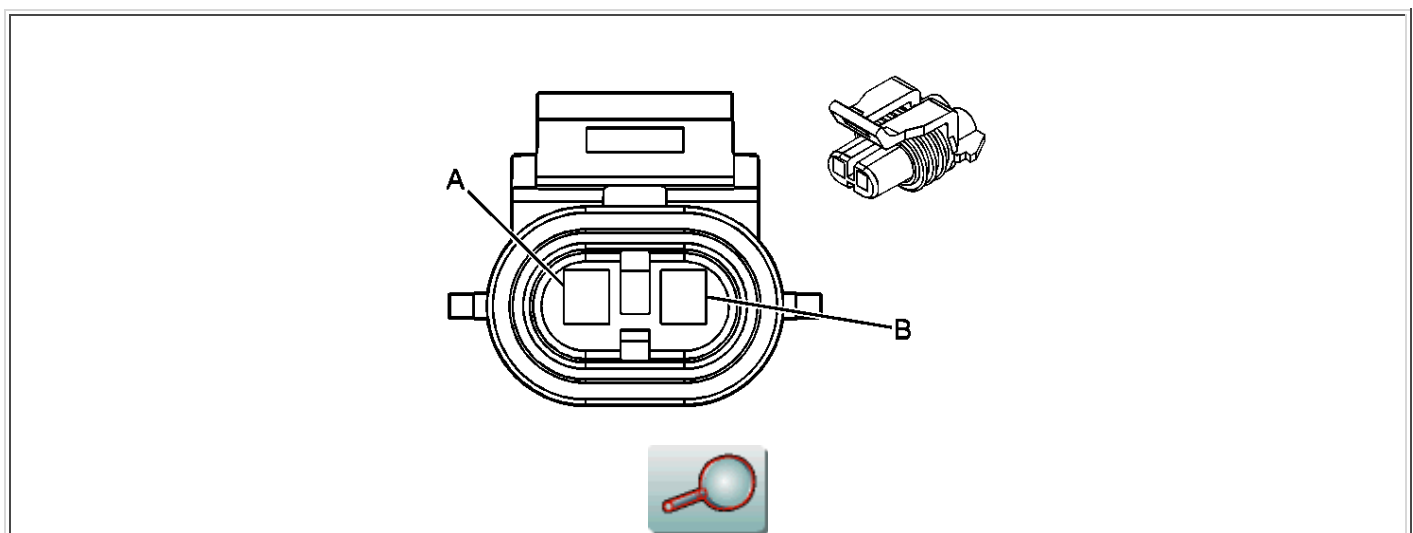
Connector Part Information		<ul style="list-style-type: none"> • 15300027 • 2-Way F Metri-Pack 280 Series, Sealed (BLK) 	
Pin	Wire Color	Circuit No.	Function
A	TAN	694	Driver Door Lock Actuator Unlock Control
B	GRY	295	Door Lock Actuator Lock Control

Door Lock Actuator - Front Passenger, RR, LR



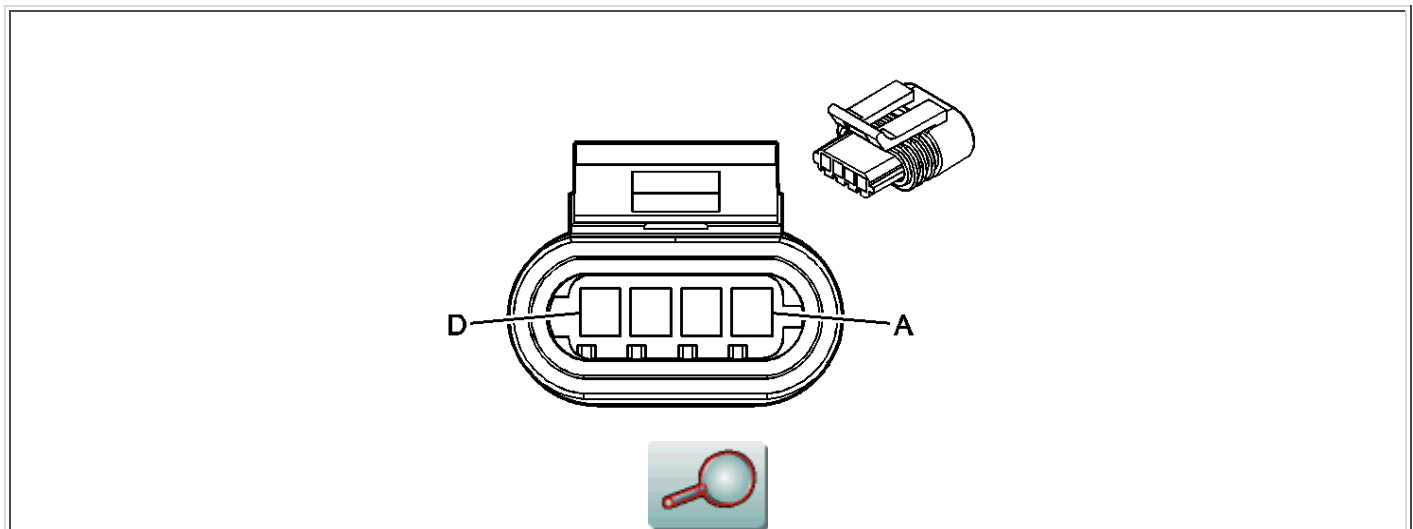
Connector Part Information		<ul style="list-style-type: none"> • 15300027 • 2-Way F Metri-Pack 280 Series, Sealed (BLK) 	
Pin	Wire Color	Circuit No.	Function
A	TAN	294	Door Lock Actuator Unlock Control
B	GRY	295	Door Lock Actuator Lock Control

Door Lock Cylinder Switch - Driver/Front Passenger (Except LH Utility w/Content Theft)



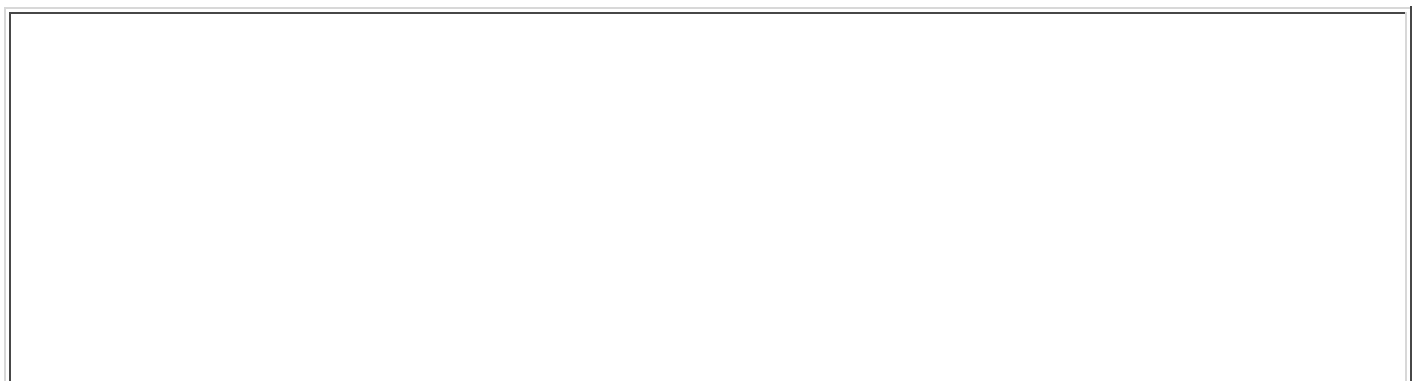
Connector Part Information		<ul style="list-style-type: none"> • 12052642 • 2-Way F Metri-Pack 150 Series, Sealed (LT GRN) 	
Pin	Wire Color	Circuit No.	Function
A	BLK	1050	Ground - RH
	BLK	1850	Ground - LH Pickup
	WHT/BLK	1221	End gate Release Switch Signal - LH Utility w/o Content Theft
B	LT GRN	262	Driver Door Key Switch Signal - RH, LH on Blazer LT
	BLK/WHT	56	Trunk Release Motor Supply Voltage - LH Utility

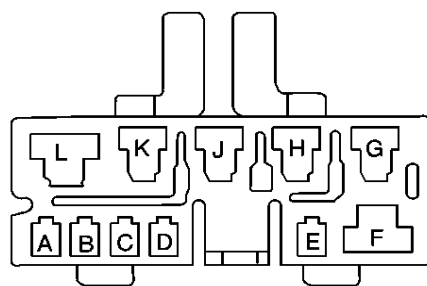
Door Lock Cylinder Switch - Driver (Utility w/Content Theft)



Connector Part Information		<ul style="list-style-type: none"> • 12162834 • 4-Way F Metri-Pack 150.2 Series, Pull-to-Seat (MD GRY) 	
Pin	Wire Color	Circuit No.	Function
A	BLK/WHT	56	Trunk Release Motor
B	BLK	1850	Ground
C	WHT/BLK	1221	End Gate Release Switch Signal
D	LT GRN	262	Driver Door Key Switch Signal

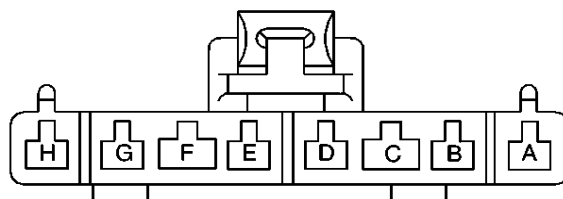
Door Lock and Window Switch - Driver C1



**Connector Part Information**

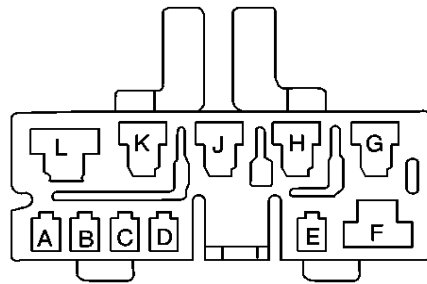
- 12084617
- 11-Way F Metri-Pack 150, 280, 480 Series (BLK)

Pin	Wire Color	Circuit No.	Function
A-B	--	--	Not Used
C	LT BLU	195	Door Lock Control
D	ORN	840	Battery Positive Voltage
E	WHT	194	Door Unlock Control
F	BLK	1850	Ground
G	--	--	Not Used
H	PPL	171	Power Window Master Switch Right Rear Down Signal 4-Door
J	BRN	2409	Interior Park Lamps Supply Voltage
K	PPL	169	Power Window Master Switch Left Rear Down 4-Door
L	DK GRN	1001	RAP Fuse Supply Voltage
	DK GRN	1001	RAP Fuse Supply Voltage 4-Door

Door Lock and Window Switch - Driver C2

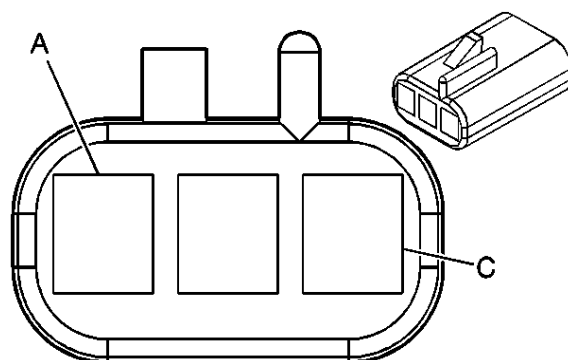
Connector Part Information		<ul style="list-style-type: none"> • 12084603 • 8-Way F Metri-Pack 200, 480 Series (MD GRY) 	
Pin	Wire Color	Circuit No.	Function
A	DK BLU	164	Power Window Motor Left Front Up
B	LT BLU	166	Power Window Master Switch Right Front Up Signal
C	BLK	1850	Ground
D	TAN	167	Power Window Master Switch Right Front Down Signal
E	BRN	165	Power Window Motor Left Front Down
F	--	--	Not Used
G	DK GRN	168	Power Window Master Switch Left Rear Up Signal 4-Door
H	LT GRN	170	Power Window Master Switch Right Rear Up Signal 4-Door

Door Lock and Window Switch - Front Passenger C1



Connector Part Information		<ul style="list-style-type: none"> • 12084617 • 11-Way F Metri-Pack 150, 280, 480 Series (BLK) 	
Pin	Wire Color	Circuit No.	Function
A-B	--	--	Not Used
C	WHT	194	Door Unlock Control
D	ORN	840	Battery Positive Voltage
E	LT BLU	195	Door Lock Control
F	DK GRN	1001	RAP Fuse Supply Voltage
G	DK BLU	666	Power Window Motor Right Front Up Control
H	--	--	Not Used
J	LT BLU	166	Power Window Master Switch Right Front Up Signal
K	BRN	667	Power Window Motor Right Front Down Control
L	TAN	167	Power Window Master Switch Right Front Down Signal

Door Lock and Window Switch - Front Passenger C2

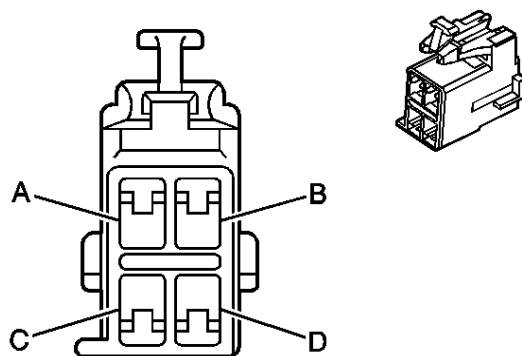


Connector Part Information

- 12047781
- 3-Way F 150 Series (BLK)

Pin	Wire Color	Circuit No.	Function
A	--	--	Not Used
B	BLK	1050	Ground
C	BRN	2409	Interior Park Lamps Supply Voltage

Liftglass/End Gate Lock Cylinder Switch



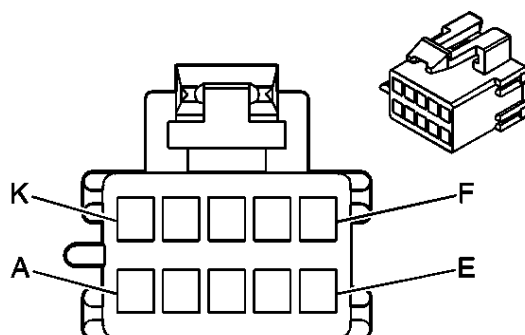
Connector Part Information

- 12129136
- 4-Way F Metri-Pack 280 Series, Flex Lock (BLK)

Pin	Wire Color	Circuit No.	Function
A	LT BLU	195	Door Lock Control
B	WHT	194	Door Unlock Control
C	WHT/BLK	1221	End Gate Release Switch Signal

D	ORN	840	Battery Positive Voltage
---	-----	-----	--------------------------

Outside Rearview Mirror Switch

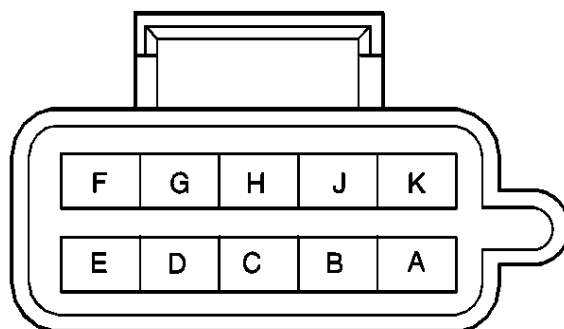


Connector Part Information

- 12064769
- 10-Way F Metri-Pack 150 Series (WHT)

Pin	Wire Color	Circuit No.	Function
A	BRN	2409	Interior Park Lamps Supply Voltage
B	BLK	1850	Ground
C	LT GRN	89	Driver Mirror Motor Down Control
D	YEL	1496	Mirror Motor Left/Up Control
E	YEL	1496	Mirror Motor Left/Up Control
F	WHT	81	Driver Mirror Motor Right Control
G	ORN	840	Battery Positive Voltage
H	--	--	Not Used
J	RED/WHT	881	Passenger Mirror Motor Right Control
K	PPL/WHT	889	Passenger Mirror Motor Down Control

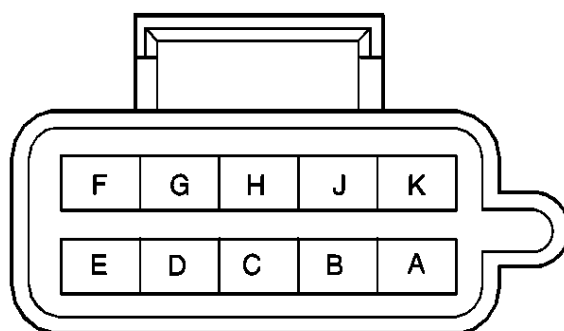
Outside Rearview Mirror - Driver





Connector Part Information		<ul style="list-style-type: none"> • 12065659 • 10-Way M Metri-Pack Connector and Clip Assemblies (NAT) 	
Pin	Wire Color	Circuit No.	Function
A	ORN	2267	Mirror Heating Element Supply Voltage
B	PNK	1691	Automatic Day/Night Mirror Low Reference - w/Automatic Day/Night Mirror
C	YEL	1496	Mirror Motor Right/Up Control
D	LT GRN	89	Driver Mirror Motor Down Control
E	WHT	81	Driver Mirror Motor Right Control
F	--	--	Not Used
G	GRY	1690	Automatic Day/Night Mirror Signal - w/Automatic Day/Night Mirror
H	BLK	1850	Ground
J	YEL	190	Driver Folding Mirror Motor Extend Control - w/Power Folding Mirrors
K	LT BLU	191	Driver Folding Mirror Motor Retract Control - w/Power Folding Mirrors

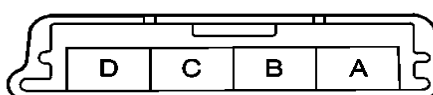
Outside Rearview Mirror - Front Passenger



Connector Part Information		<ul style="list-style-type: none"> • 12065659 • 10-Way M Metri-Pack Connector and Clip Assemblies (NAT) 	
Pin	Wire Color	Circuit No.	Function
A	ORN	2267	Mirror Heating Element Supply Voltage
B	--	--	Not Used
C	YEL	1496	Mirror Motor Right/Up Control

D	PPL/WHT	889	Passenger Mirror Motor Down Control
E	RED/WHT	881	Passenger Mirror Motor Right Control
F-G	--	--	Not Used
H	BLK	1050	Ground
J	YEL	190	Driver Folding Mirror Motor Extend Control
K	LT BLU	191	Driver Folding Mirror Motor Retract Control

Outside Rearview Folding Mirror Switch (Export)

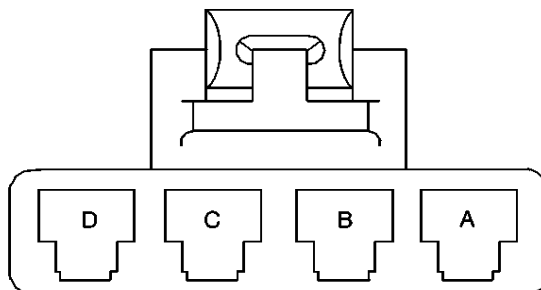


Connector Part Information

- 12103329
- 4-Way M Metri-Pack 150 Series (BLK)

Pin	Wire Color	Circuit No.	Function
A	DK GRN	1301	RAP Fuse Supply Voltage
B	YEL	190	Driver Folding Mirror Motor Extend Control
C	BLK	1850	Ground
D	LT BLU	191	Driver Folding Mirror Motor Retract Control

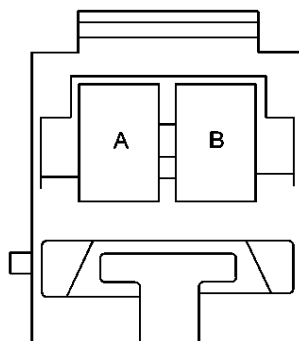
Window Lockout Switch





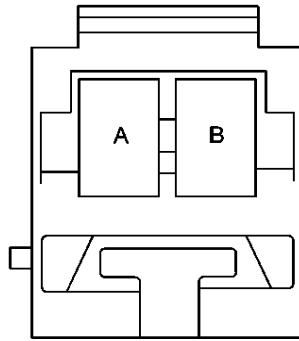
Connector Part Information		<ul style="list-style-type: none"> • 12066571 • 4-Way F Metri-Pack 480 Series (BLK) 	
Pin	Wire Color	Circuit No.	Function
A	BLK	1850	Ground
B	DK BLU	1307	Power Window Master Switch Lockout Signal
C	BRN	2409	Interior Park Lamps Supply Voltage
D	DK GRN	1001	RAP Fuse Supply Voltage

Window Motor - Driver



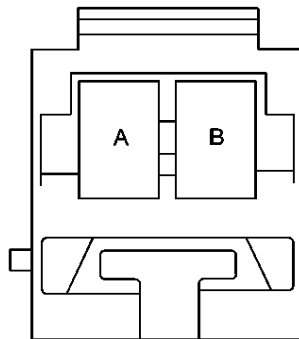
Connector Part Information		<ul style="list-style-type: none"> • 12033911 • 2-Way F Pack - Con Series (NAT) 	
Pin	Wire Color	Circuit No.	Function
A	BRN	165	Power Window Motor Left Front Down Control
B	DK BLU	164	Power Window Motor Left Front Up Control

Window Motor - Front Passenger



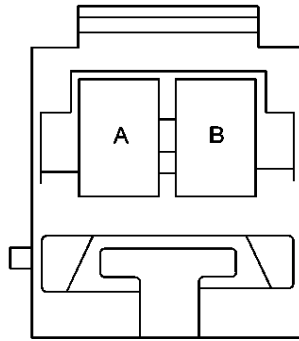
Connector Part Information		<ul style="list-style-type: none"> • 12033911 • 2-Way F Pack - Con Series (NAT) 	
Pin	Wire Color	Circuit No.	Function
A	BRN	667	Power Window Motor Right Front Down Control
B	DK BLU	666	Power Window Motor Right Front Up Control

Window Motor - LR



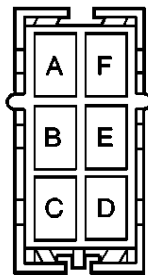
Connector Part Information		<ul style="list-style-type: none"> • 12033911 • 2-Way F Pack - Con Series (NAT) 	
Pin	Wire Color	Circuit No.	Function
A	BRN	669	Power Window Motor Left Rear Down Control
B	DK BLU	668	Power Window Motor Left Rear Up Control

Window Motor - RR

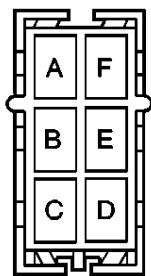


Connector Part Information		<ul style="list-style-type: none"> • 12033911 • 2-Way F Pack - Con Series (NAT) 	
Pin	Wire Color	Circuit No.	Function
A	BRN	671	Power Window Motor Right Rear Down Control
B	DK BLU	670	Power Window Motor Right Rear Up Control

Window Switch - LR



Connector Part Information		<ul style="list-style-type: none"> • 12015344 • 6-Way F Metri-Pack 280 Series (BLK) 	
Pin	Wire Color	Circuit No.	Function
A	DK GRN	168	Power Window Master Switch Left Rear Up Signal
B	DK BLU	1307	Power Window Master Switch Lockout Control
C	DK BLU	668	Power Window Motor Left Rear Up Control
D	PPL	169	Power Window Master Switch Left Rear Down Signal
E	--	--	Not Used
F	BRN	669	Power Window Motor Left Rear Down Control

Window Switch - RR**Connector Part Information**

- 12015344
- 6-Way F Metri-Pack 280 Series (BLK)

Pin	Wire Color	Circuit No.	Function
A	DK GRN	170	Power Window Master Switch Right Rear Up Signal
B	DK BLU	1307	Power Window Master Switch Lockout Control
C	DK BLU	670	Power Window Motor Right Rear Up
D	PPL	171	Power Window Master Switch Right Rear Down Signal
E	--	--	Not Used
F	BRN	671	Power Window Motor Right Rear Down

< - Back

Forward ->

Document ID# 881985
2004 Chevrolet Blazer - 4WD

Print