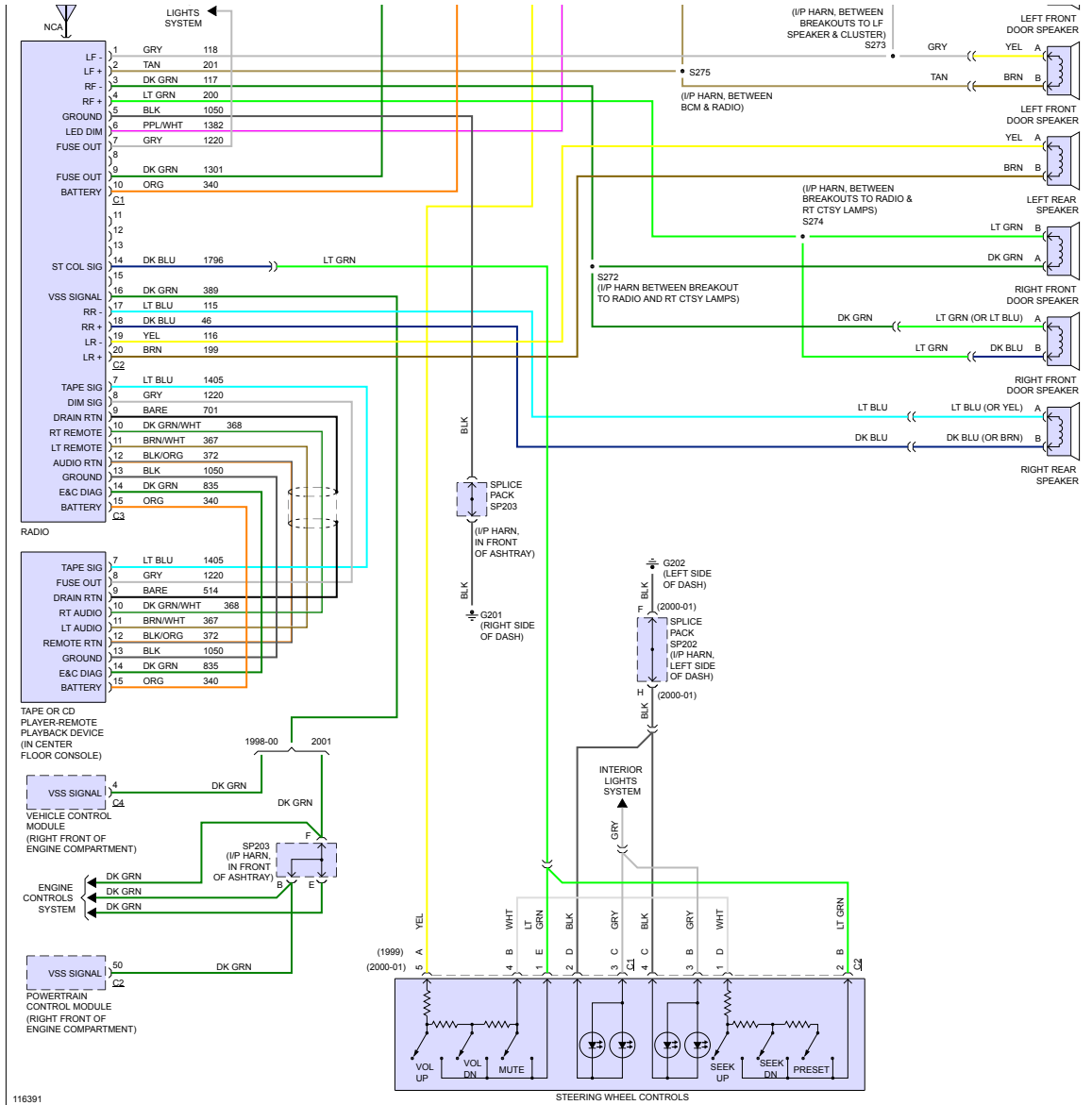


### Fig 2: Radio Circuits, W/O Amplifier



116391