

Select Year

Select Make

Select Model

Select Fit

RAISED SIDERAILS | RAILGRAB 4 PACK FIT ON CHEVROLET BLAZER S-10 4DR 1995-2004

This fit is listed for reference only. Some or all of the products for this fit are obsolete.

BASE RACK

TOWER: RailGrab 4 Pack

CROSSBAR: Small (48") RoundBar Pair (2 CrossBars)

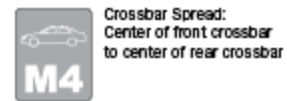
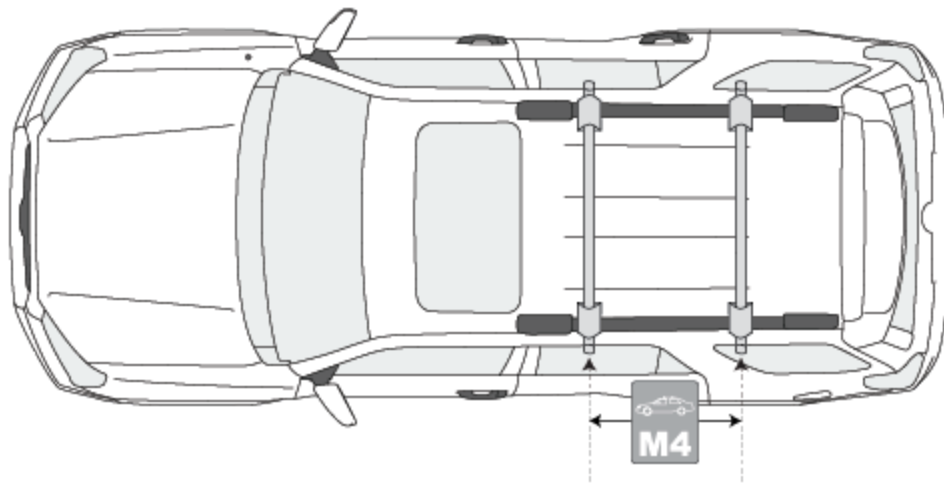
FAIRING: 40" WindShield

MINIMUM BAR SIZE: Small

MEASUREMENTS

M4MAX: 40 "

WEIGHT LIMIT: 150 lbs



(https://yakima.com/Content/images/m_railgrab.png)

COMPATIBLE PRODUCTS

Bike

- SideWinder
- Raptor Aero
- ForkLift
- FrontLoader
- WheelHouse
- HighRoad
- HighSpeed
- ForkChop
- WB200 Fork Mount
- WB201 Frame Mount Bicycle Carrier

Water

- BigStack
- BowDown
- EvenKeel
- ShowBoat 66
- KeelOver
- JayLow
- SweetRoll
- SupDawg
- SupPup

HandRoll
DeckHand
JayHook
BigCatch
WB401 Saddle Roller Kayak Carrier
WB400 J-Cradle Kayak Carrier
Kayak Carrier

Snow

FreshTrack 4
FreshTrack 6
FatCat EVO 4, Black
FatCat EVO 6, Black
WB300 Snow Mount
Ski & Snowboard Carrier

Cargo Boxes

SkinnyWarrior
LoadWarrior
MegaWarrior
OffGrid Medium w/Extension
OffGrid Medium
RocketBox 15s
RocketBox Pro 14
ShowCase 15 Anthracite
ShowCase 20 Anthracite
SkyBox 12 Carbonite
SkyBox 18 Carbonite
SkyBox Lo Carbonite
CBX Solar
GrandTour 16
GrandTour Lo

SkinnyWarrior w/Extension
LoadWarrior w/Extension
MegaWarrior w/Extension
OffGrid Large w/Extension
OffGrid Large
RocketBox Pro 12
RocketBox Pro 11
ShowCase 15 Quicksilver
ShowCase 20 Quicksilver

SkyBox 16 Carbonite
SkyBox 21 Carbonite
CBX 16
CBX 18
GrandTour 18

BaseCamp

RoadShower MD (7 gal)
RoadShower SM (4 gal)
RoadShower LG (10 gal)
RoadShower 4G
RoadShower 7G
RoadShower 10G
SkyRise Medium, Red (UNVERIFIED)
SkyRise Small, Red (UNVERIFIED)
SlimShady Awning OG
SkyRise Poler, Medium (UNVERIFIED)
SkyRise Medium, Green (UNVERIFIED)
SkyRise HD Small (UNVERIFIED)
SkyRise HD Medium (UNVERIFIED)
SlimShady 4.5'
SlimShady 6.5'
SlimShady 8'

Fish

DoubleHaul
ReelDeal

NOTES

id

Note

69

Visit <https://yakweb-assets.s3.amazonaws.com/HatchClearance.pdf> for rear hatch clearance information regarding cargo boxes.

81

All loads extending beyond the length of the roof (except cargo boxes) must be secured to both the front and rear of the vehicle, in addition to the rack.

103

Please check your vehicle's front bar to hatch measurement as well as the ShowBoat 66" instructions, found here <http://assets.yakima.com/Product/instructions/8004068/1>, to ensure compatibility with your target boat weight, roller extension, and vehicle.

104

If crossbar spread is between 24" and 29", length of canoe must be 14 feet or less.

109

Always be sure to tie down your SUP as per instructions. SupPup and SupDawg require using nose tie down strap.

110

If your vehicle is equipped with a sunroof or panoramic glass roof, prior to operation, ensure adequate clearance exists with roof rack and/or accessories installed.

132

Any load/mount extending beyond the rear hatch seam may cause interference.

191

Limited to 2 surf/sail/paddleboards. Boards must be stacked - NEVER carry side-by-side.

195

Small Claw recommended for this application. Claws included with all RailGrab Tower sets.

604

RoadShower SM and MD can accommodate crossbar spreads of 24" – 50". The distance from the front or rear clamp to the end of the shower must not be greater than 30". Do not mount RoadShower outboard of tower.

607

RoadShower LG can accommodate crossbar spreads of 32" - 78". The distance from the front or rear clamp to the end of the shower must not be greater than 30". Do not mount RoadShower outboard of tower.

EXAMPLES



Sharable Link: <http://fitlookup.yakima.com?fitid=895>