

395770

Installation Procedure

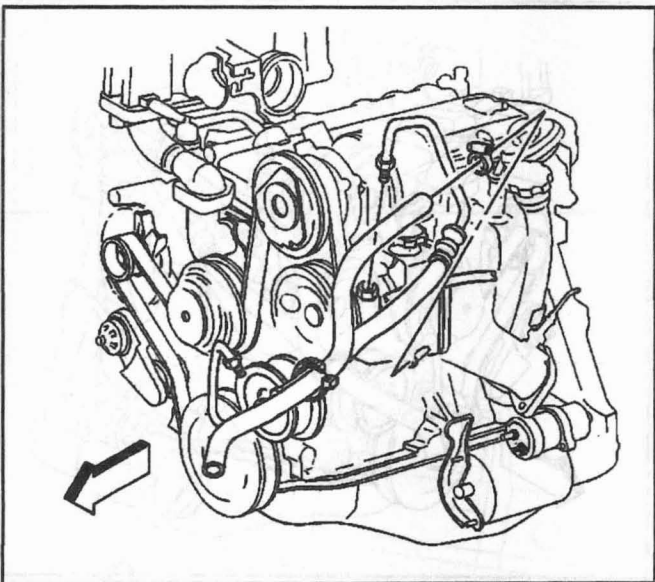
Notice: The inlet and outlet hoses must not be twisted during installation. Do not bend or distort the inlet or outlet hoses to make installation easier. Failure to follow these procedures could result in component damage.

Notice: Refer to *Fastener Notice* in Cautions and Notices.

1. Install the power steering gear pressure hose to the vehicle.
2. Connect the power steering gear pressure hose to the power steering gear.

Tighten

Tighten the power steering gear pressure hose to the power steering gear to 25 N·m (18 lb ft).



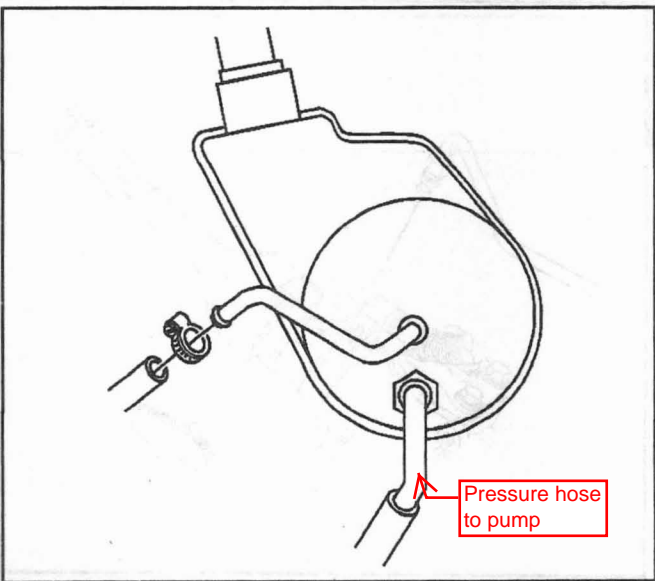
288841

3. Connect the power steering gear pressure hose to the power steering pump.

Tighten

Tighten the power steering gear pressure hose to the power steering pump to 25 N·m (18 lb ft).

4. Remove the drain pan from under the vehicle.
5. Install the air cleaner assembly. Refer to *Air Cleaner Intake Duct Replacement* in Engine Controls 2.2L.
6. Bleed the power steering system. Refer to *Bleeding Power Steering System*.



395852

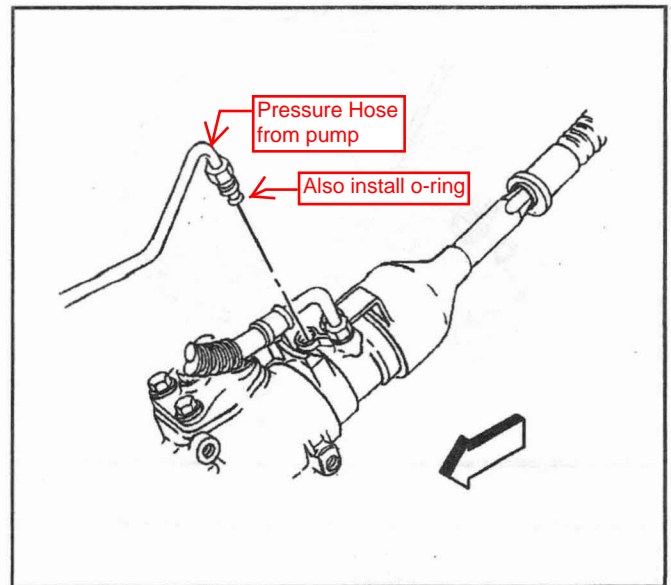
Power Steering Pressure Hose Replacement (4.3L)

Removal Procedure

Notice: Do not start the vehicle with any power steering gear inlet or outlet hoses disconnected. When disconnected, plug or cap all openings of components. Failure to do so could result in contamination or loss of power steering fluid and damage to the system.

1. Raise and suitably support the vehicle. Refer to *Lifting and Jacking the Vehicle* in General Information.
2. Remove the steering linkage shield, if equipped. Refer to *Steering Linkage Shield Replacement* in Steering Linkage.
3. Install a drain pan under the vehicle.
4. Disconnect the pressure hose from the power steering pump.

5. Lower the vehicle.
6. Remove the air cleaner assembly. Refer to *Air Cleaner Assembly Replacement* in Engine Controls 4.3L.
7. Disconnect the power steering gear pressure hose from the power steering gear.
8. Remove the power steering gear pressure hose from the vehicle.



395770

Installation Procedure

Notice: The inlet and outlet hoses must not be twisted during installation. Do not bend or distort the inlet or outlet hoses to make installation easier. Failure to follow these procedures could result in component damage.

1. Install the power steering gear pressure hose to the vehicle.

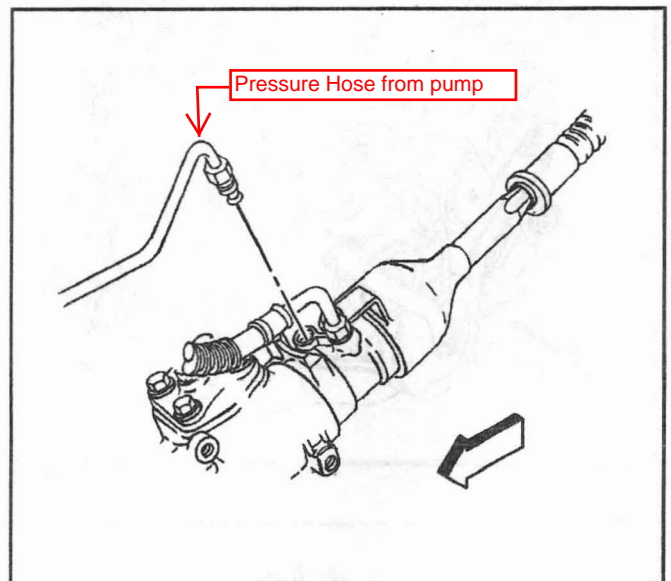
Notice: Refer to *Fastener Notice* in Cautions and Notices.

2. Connect the power steering gear pressure hose to the power steering gear.

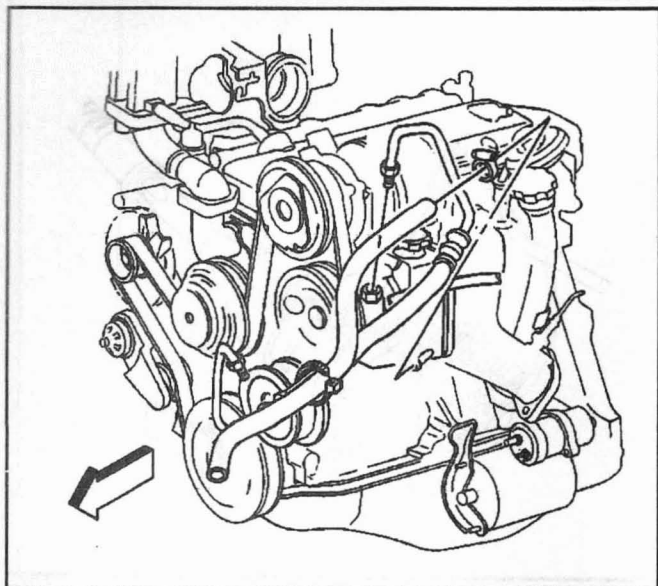
Tighten

Tighten the power steering gear pressure hose to the power steering gear to 30 N·m (22 lb ft).

3. Install the air cleaner assembly. Refer to *Air Cleaner Assembly Replacement* in Engine Controls 4.3L.
4. Raise the vehicle.



395770



288841

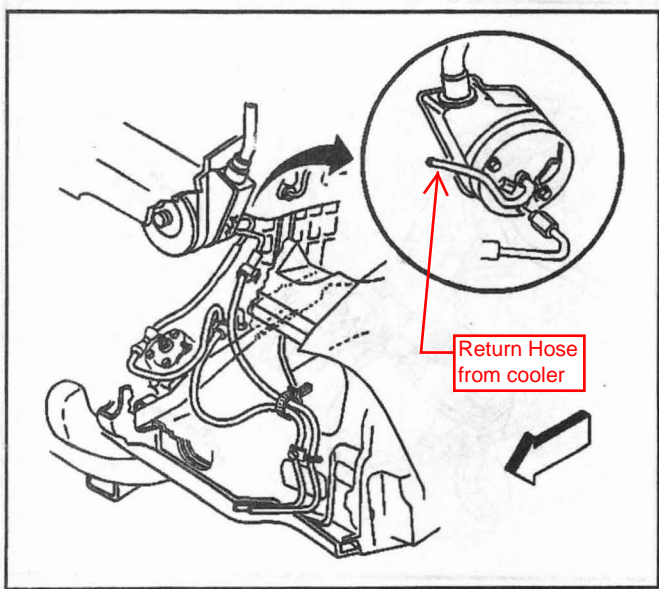
4. Connect the power steering gear return hose to the power steering pump (for vehicles without power steering cooler).

Tighten

Tighten the power steering hose clamp to 2 N·m (18 lb in).

Remove the drain pan from under the vehicle.

5. Install the air cleaner assembly. Refer to *Air Cleaner Intake Duct Replacement* in Engine Controls 2.2L.
6. Bleed the power steering system. Refer to *Bleeding Power Steering System*.



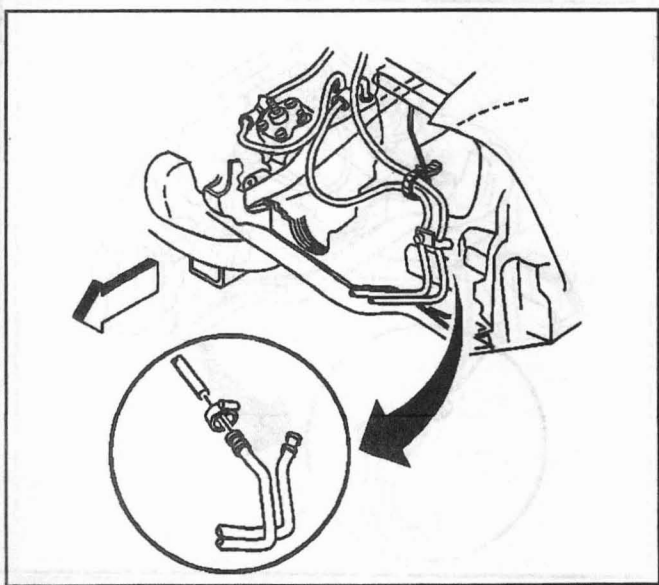
395856

Power Steering Return Hose Replacement (4.3L)

Removal Procedure

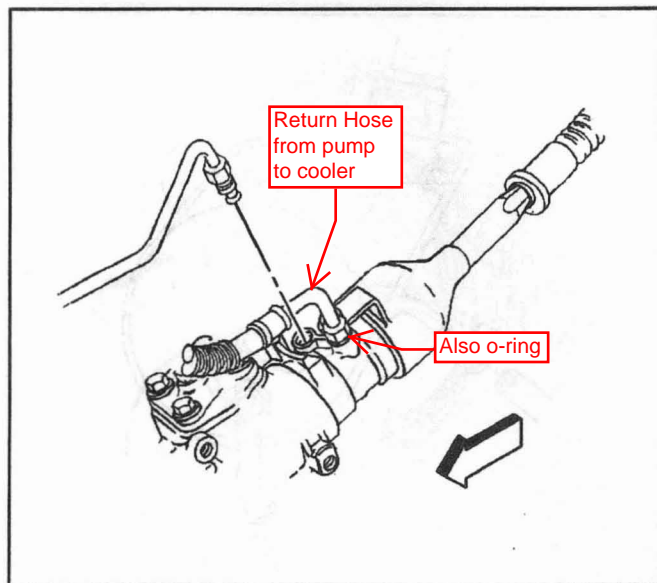
Notice: Do not start the vehicle with any power steering gear inlet or outlet hoses disconnected. When disconnected, plug or cap all openings of components. Failure to do so could result in contamination or loss of power steering fluid and damage to the system.

1. Remove the air cleaner assembly. Refer to *Air Cleaner Assembly Replacement* in Engine controls 4.3L.
2. Install a drain pan under the vehicle.
3. Disconnect the power steering gear return hose from the power steering pump (for vehicles without power steering cooler).
4. Disconnect the power steering gear return hose from the power steering cooler, if equipped.



395851

5. Disconnect the power steering gear return hose from the power steering gear.
6. Remove the power steering gear return hose from the vehicle.



395770

Installation Procedure

Notice: The inlet and outlet hoses must not be twisted during installation. Do not bend or distort the inlet or outlet hoses to make installation easier. Failure to follow these procedures could result in component damage.

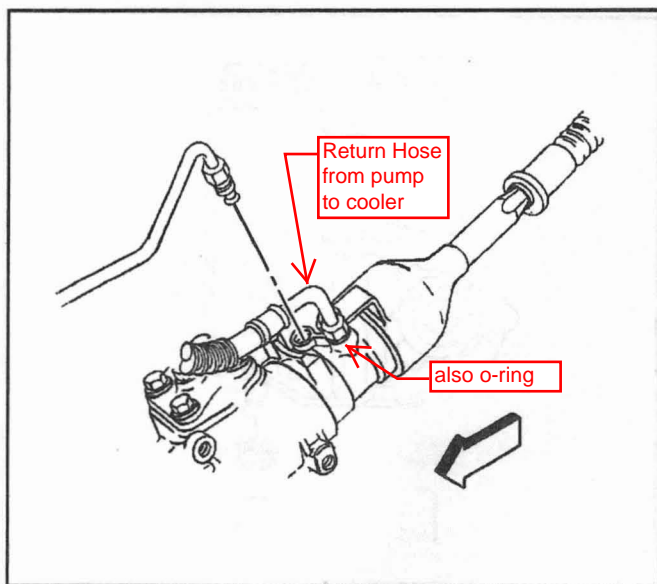
1. Install the power steering gear return hose to the vehicle.

Notice: Refer to *Fastener Notice* in Cautions and Notices.

2. Connect the power steering gear return hose to the power steering gear.

Tighten

Tighten the power steering gear return hose to the power steering gear to 30 N·m (22 lb ft).

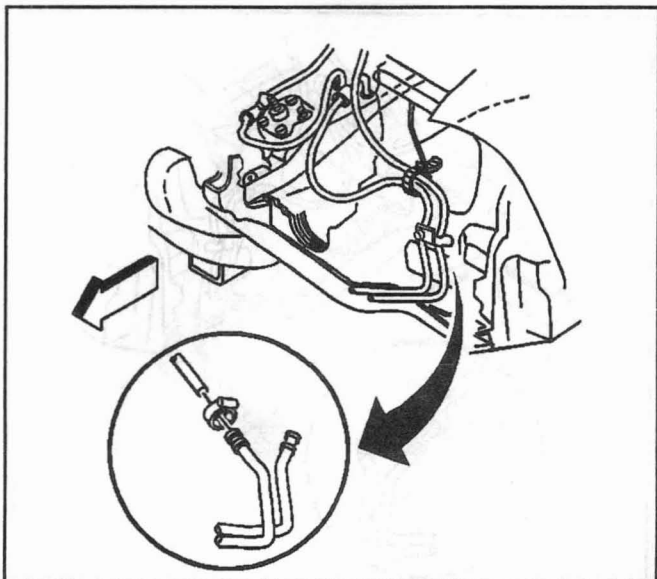


395770

3. Connect the power steering gear return hose to the power steering cooler, if equipped.

Tighten

Tighten the power steering hose clamp to 2 N·m (18 lb in).



395851

Installation Procedure

Notice: The inlet and outlet hoses must not be twisted during installation. Do not bend or distort the inlet or outlet hoses to make installation easier. Failure to follow these procedures could result in component damage.

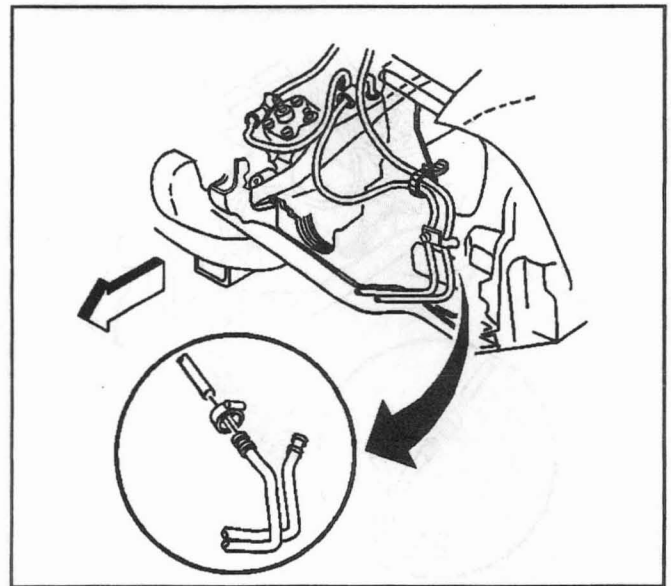
1. Install the power steering cooler hose to the vehicle.

Notice: Refer to *Fastener Notice* in Cautions and Notices.

2. Connect the power steering cooler hose to the power steering cooler.

Tighten

Tighten the power steering hose clamp to 2 N·m (18 lb in).



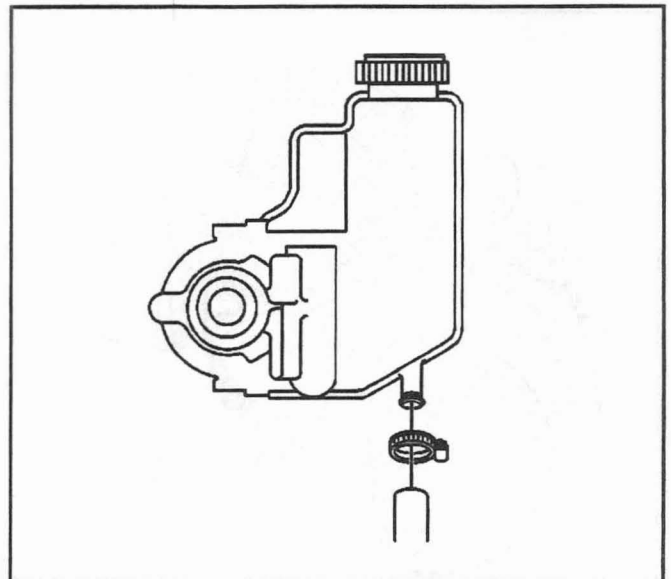
395851

3. Connect the power steering cooler hose to the power steering pump.

Tighten

Tighten the power steering hose clamp 2 N·m (18 lb in).

4. Remove the drain pan from under the vehicle.
5. Install the air cleaner assembly. Refer to *Air Cleaner Intake Duct Replacement* in Engine Controls 2.2L.
6. Bleed the power steering system. Refer to *Bleeding Power Steering System*.



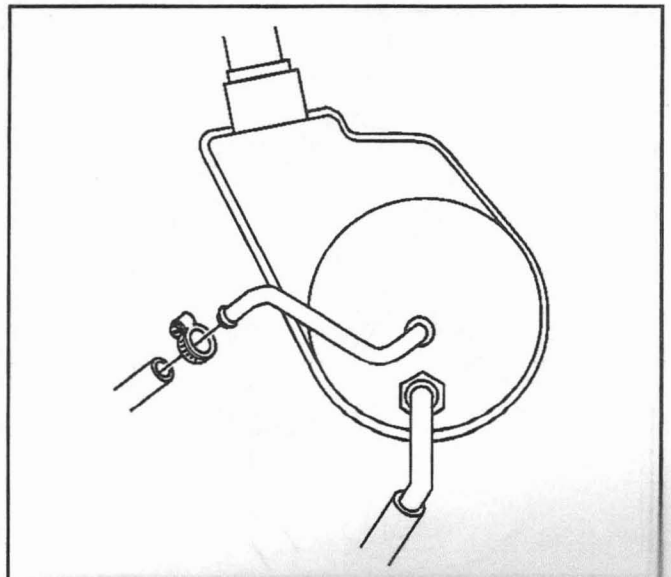
395854

Power Steering Cooler Pipe/Hose Replacement (4.3L)

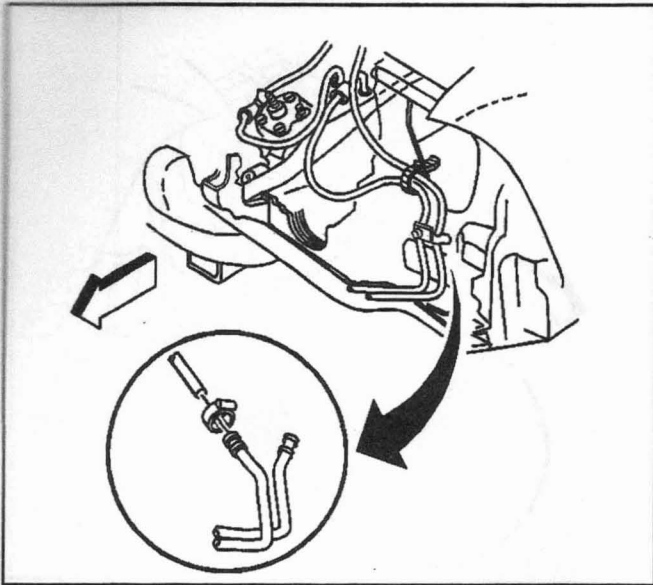
Removal Procedure

Notice: Do not start the vehicle with any power steering gear inlet or outlet hoses disconnected. When disconnected, plug or cap all openings of components. Failure to do so could result in contamination or loss of power steering fluid and damage to the system.

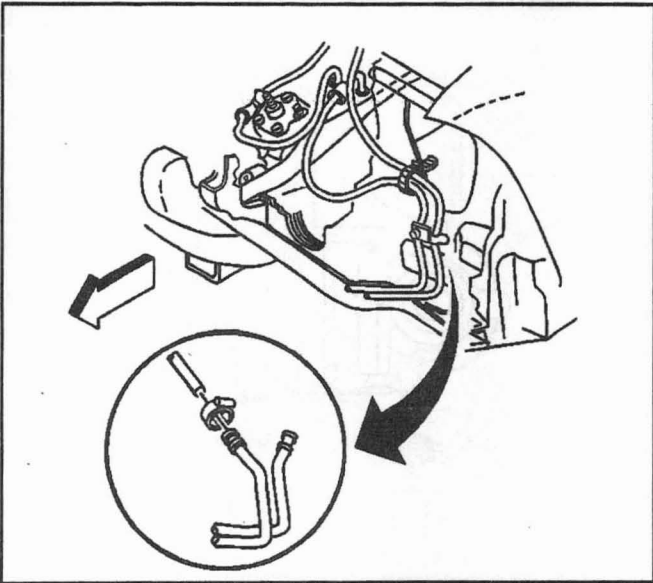
1. Remove the air cleaner assembly. Refer to *Air Cleaner Assembly Replacement* in Engine Controls 4.3L.
2. Install a drain pan under the vehicle.
3. Disconnect the power steering cooler hose from the power steering pump.



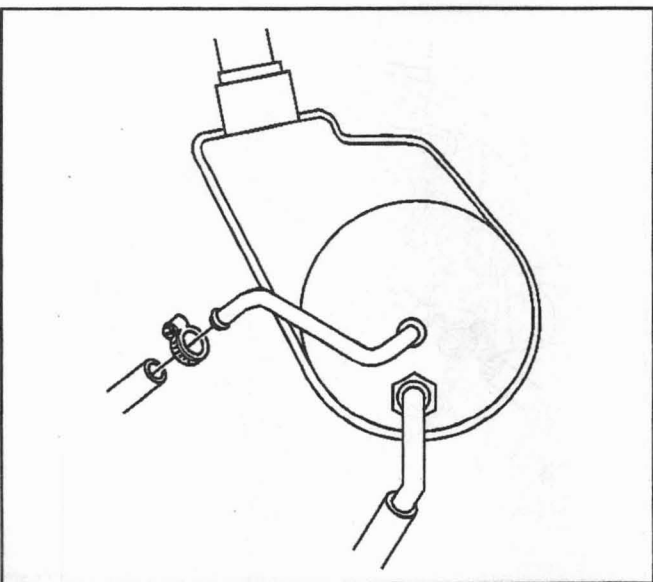
395852



395851



395851



395852

4. Disconnect the power steering cooler hose from the power steering cooler.
5. Remove the power steering cooler hose from the vehicle.

Installation Procedure

Notice: The inlet and outlet hoses must not be twisted during installation. Do not bend or distort the inlet or outlet hoses to make installation easier. Failure to follow these procedures could result in component damage.

1. Install the power steering cooler hose to the vehicle.

Notice: Refer to *Fastener Notice* in Cautions and Notices.

2. Connect the power steering cooler hose to the power steering cooler.

Tighten

Tighten the power steering hose clamp to 2 N·m (18 lb in).

3. Connect the power steering cooler hose to the power steering pump.

Tighten

Tighten the power steering hose clamp to 2 N·m (18 lb in).

4. Remove the drain pan from under the vehicle.
5. Install the air cleaner assembly. Refer to *Air Cleaner Assembly Replacement* in Engine Controls 4.3L.
6. Bleed the power steering system. Refer to *Bleeding Power Steering System*.

Steer
Pov
Ren
Noti
steer
discc
Failu
loss
1. I
2. I
3. I
t
4. F
/
F

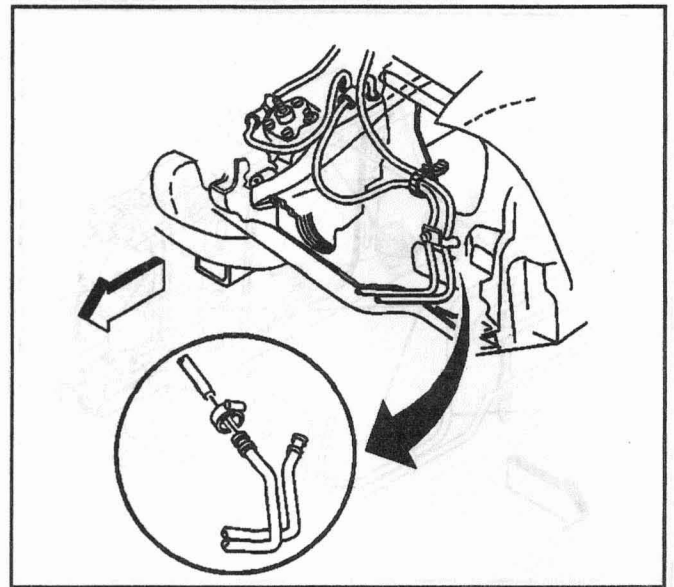
5. F

6. Re
ra

Power Steering Cooler Replacement (4.3L)**Removal Procedure**

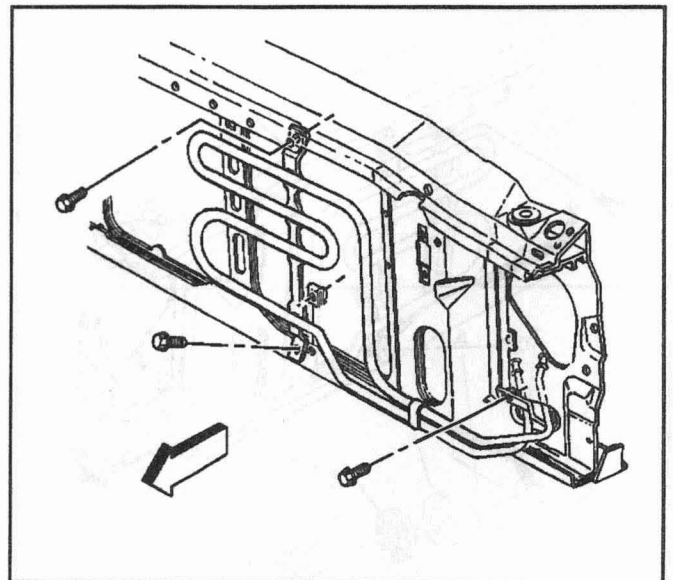
Notice: Do not start the vehicle with any power steering gear inlet or outlet hoses disconnected. When disconnected, plug or cap all openings of components. Failure to do so could result in contamination or loss of power steering fluid and damage to the system.

1. Remove the air cleaner assembly.
2. Install drain pan under vehicle.
3. Disconnect the power steering cooler hoses from the power steering cooler.
4. Remove the radiator air intake baffle. Refer to *Air Intake Baffle Replacement - Radiator* in Body Front End.



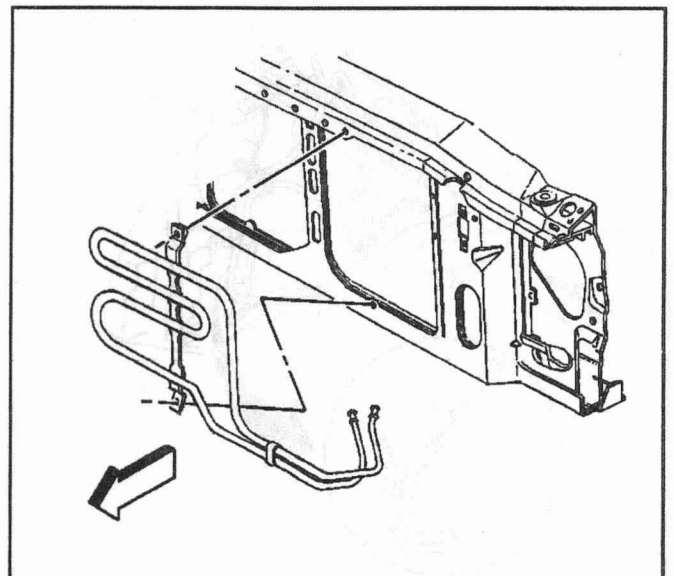
395851

5. Remove the power steering cooler retaining bolts.

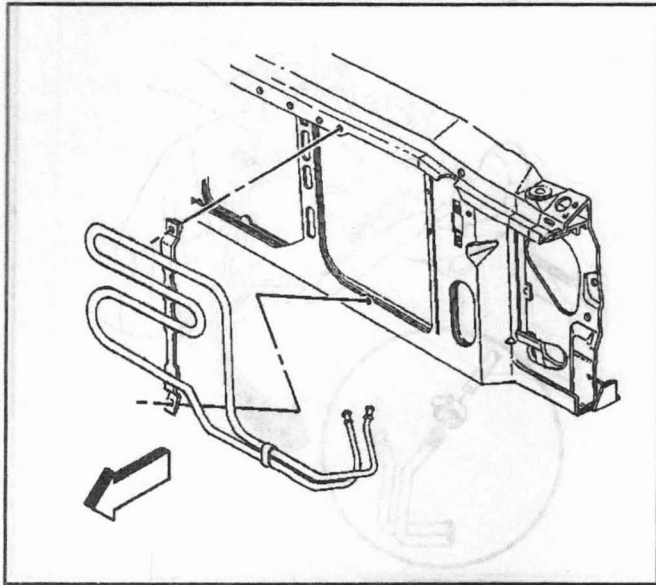


395849

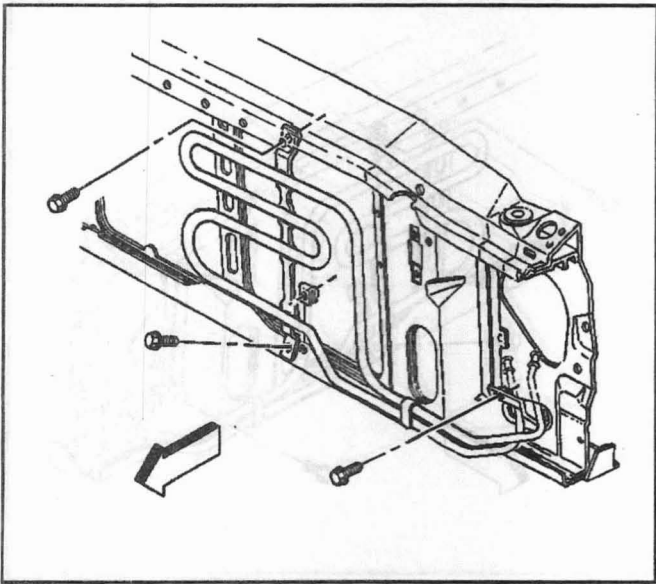
6. Remove the power steering cooler from the radiator support.



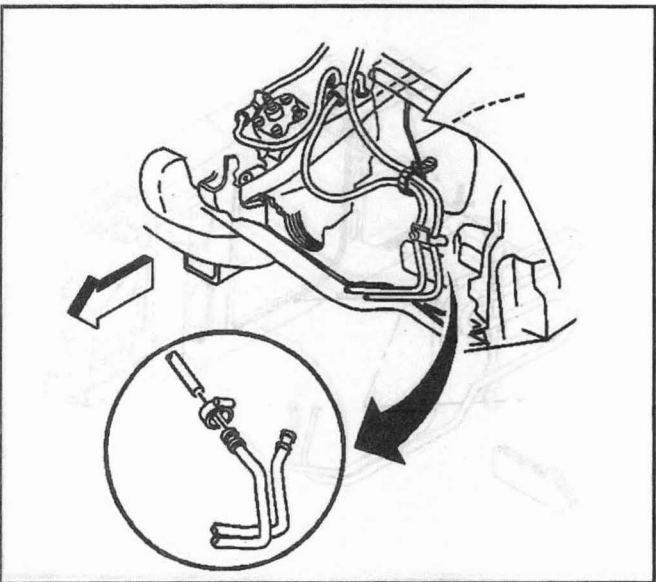
395850



395850



395849



395851

Installation Procedure

Notice: The inlet and outlet hoses must not be twisted during installation. Do not bend or distort the inlet or outlet hoses to make installation easier. Failure to follow these procedures could result in component damage.

1. Install the power steering cooler to the radiator core support.

Notice: Refer to *Fastener Notice* in Cautions and Notices.

2. Install the power steering cooler retaining bolts.

Tighten

Tighten the power steering cooler retaining bolts to 10 N·m (90 lb in).

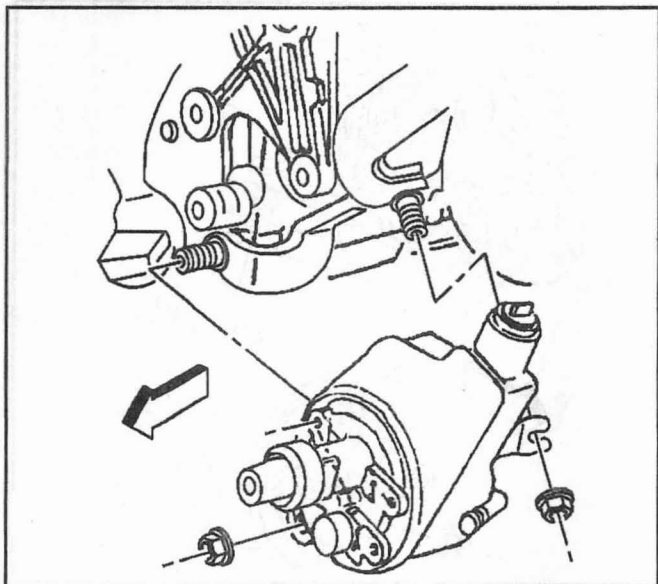
3. Install the radiator air intake baffle. Refer to *Air Intake Baffle Replacement - Radiator* in Body Front End.

4. Connect the power steering cooler hoses to the power steering cooler.

Tighten

Tighten the power steering cooler hoses to the power steering cooler clamps to 2 N·m (18 lb in).

5. Remove drain pan from under the vehicle.
6. Install the air cleaner assembly.
7. Bleed the power steering system. Refer to *Bleeding Power Steering System*.

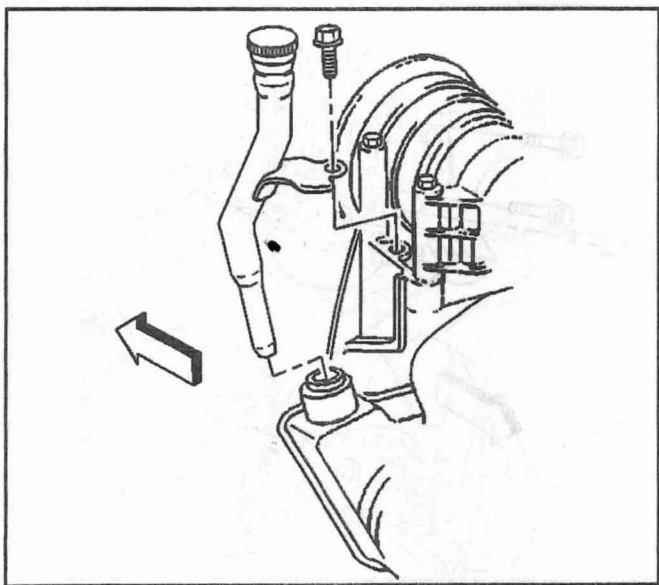


288833

3. Install the rear bracket nut to the engine stud.
4. Install the power steering pump front mounting nut to engine stud.

Tighten

Tighten the power steering rear bracket nut and the power steering pump front mounting nut to 41 N·m (31 lb ft).

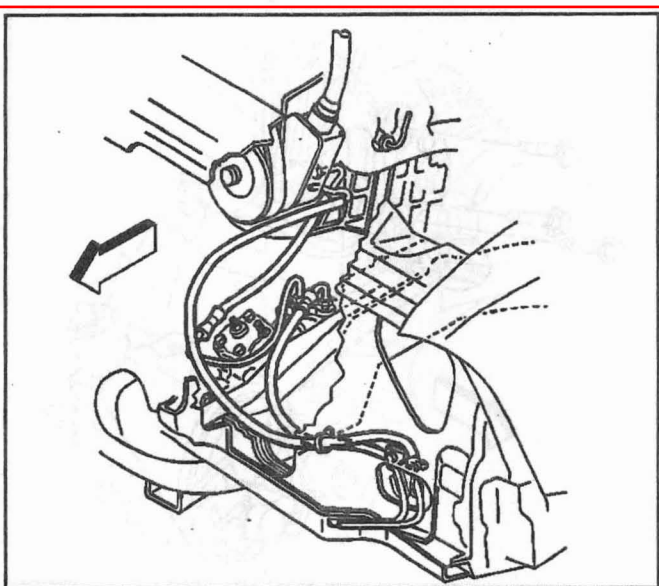


288836

5. Install the filler neck tube.

Tighten

Tighten the neck tube bolt to 20 N·m (15 lb ft).



288847

6. Connect the power steering return hose to the power steering pump.
7. Raise and suitably support the vehicle. Refer to *Lifting and Jacking the Vehicle* in General Information.
8. Connect the power steering pressure hose to the power steering pump.
9. Install steering linkage shield. Refer to *Steering Linkage Shield Replacement* in Steering Linkage.
10. Lower the vehicle.

Hose
Routing

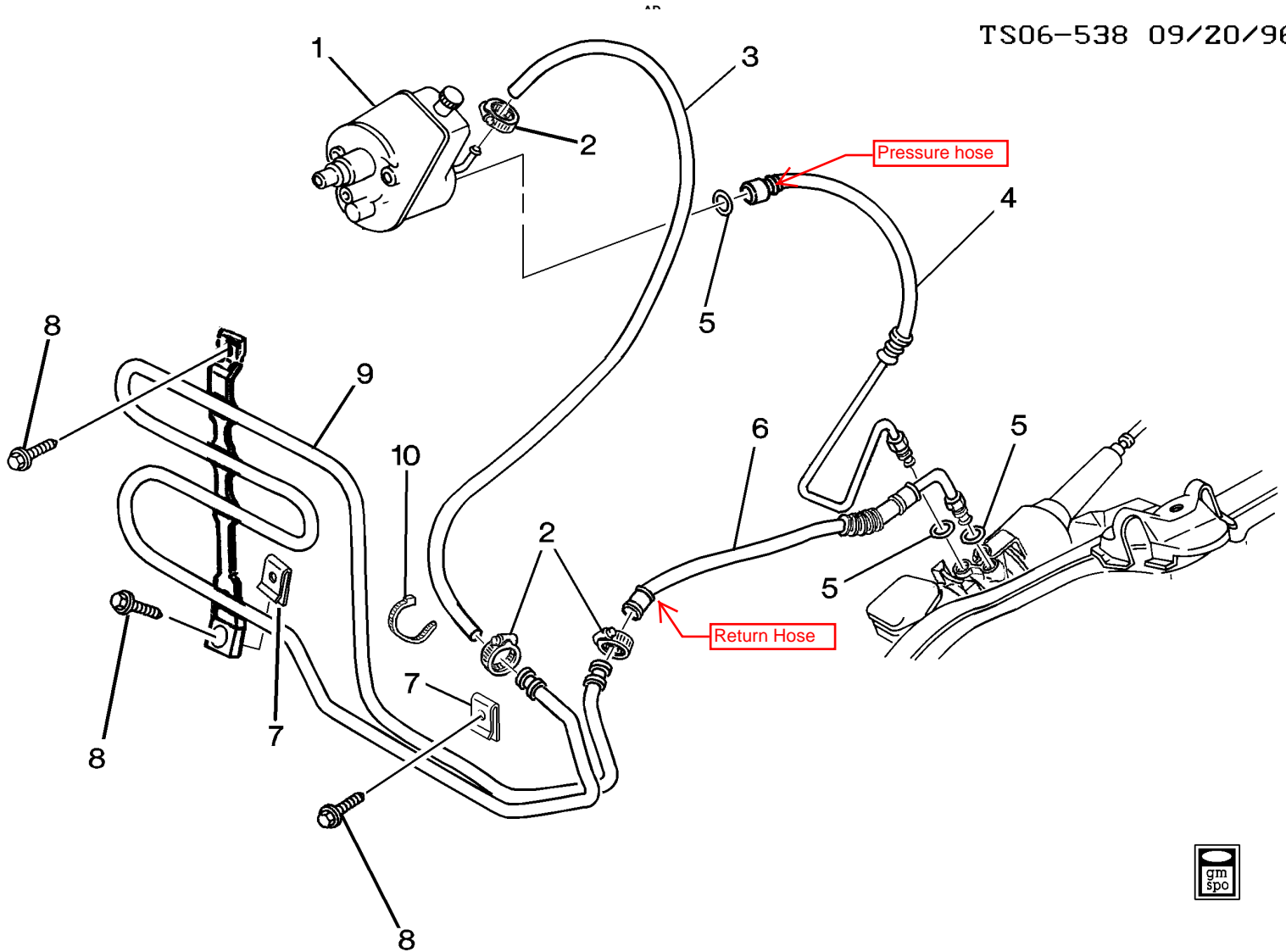
AD

Steering pump lines

BLAZER 4WD / Spare parts catalog EPC

HOME (<https://nemigaparts.com/>) / Chevrolet (https://nemigaparts.com/cat_spare/epc/chevrolet/) / BLAZER 4WD (https://nemigaparts.com/cat_spare/epc/chevrolet/54s-t/) / 06 (https://nemigaparts.com/cat_spare/epc/chevrolet/54s-t/06/) / TS06-538 (https://nemigaparts.com/cat_spare/epc/chevrolet/54s-t/06/ts06-538/)

TS06-538 09/20/96



(https://nemigaparts.com/img/catalogs/epc/gm/erapa_1/53604.png)