

**Pinless Forward Accumulator Piston Kit**

**77987-01K**

- 1 Pinless Accumulator Piston
- 1 D-Ring
- 1 Teflon® Seal
- 2 Steel Balls

**Note:** Patent pending

Also Available:

Seal Kit for 77987-01K

**77987-SK**

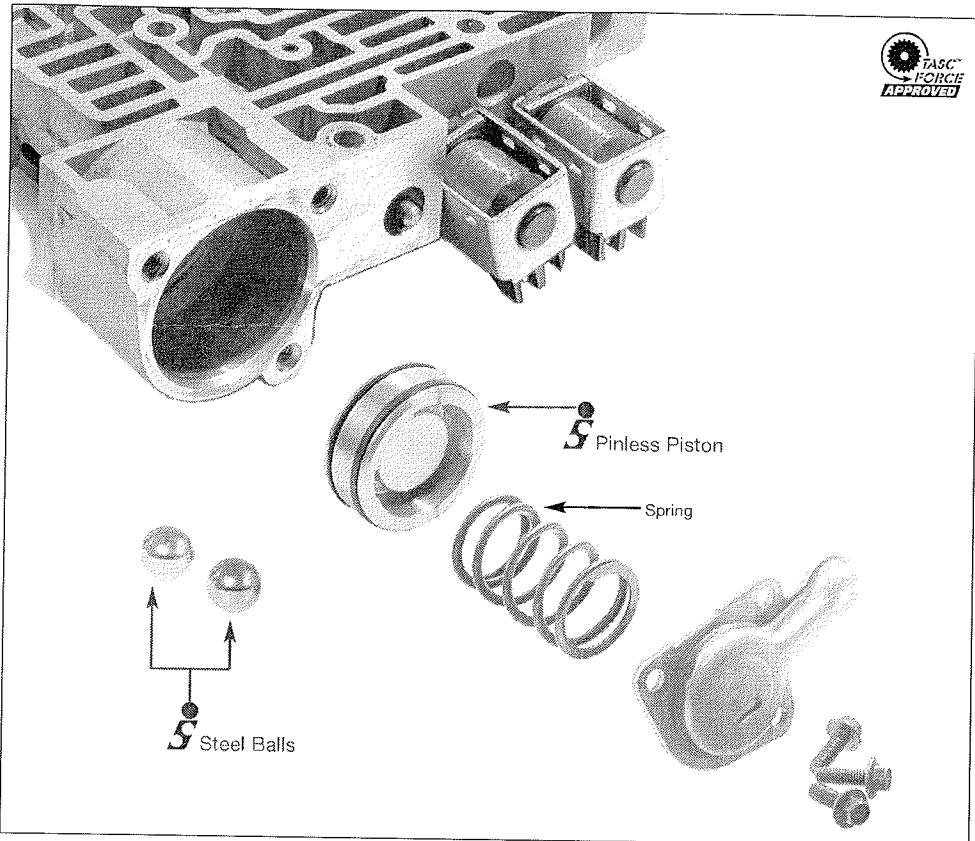
- 1 D-Ring
- 1 Teflon® Seal

For 1-2 or 3-4 Accumulator Bore

**77998-03K**

- 1 Pinless Accumulator Piston
- 1 D-Ring
- 1 Teflon Seal
- 2 Steel Balls

**Note:** Patent Pending



**Installation Instructions**

1. Remove OEM piston, pin and seal and discard. (Do not reuse the OEM D-ring seal.)
2. Clean and inspect the bore.
3. Plug the pin bore in bottom of accumulator bore by installing both the Sonnax steel balls as shown. Lightly stake the pin bore after pressing in the balls.
4. Install D-ring seal in groove nearest the closed end of piston (see illustration).
5. Install Teflon® seal ring in groove nearest the open end of piston.

**Reassembly**

1. Lubricate seals.
2. Install the pinless accumulator piston with new seals into the accumulator bore closed end of piston, with D-ring going in toward balls.
3. Install OEM accumulator spring into accumulator bore.
4. Install OEM cover and hardware.

