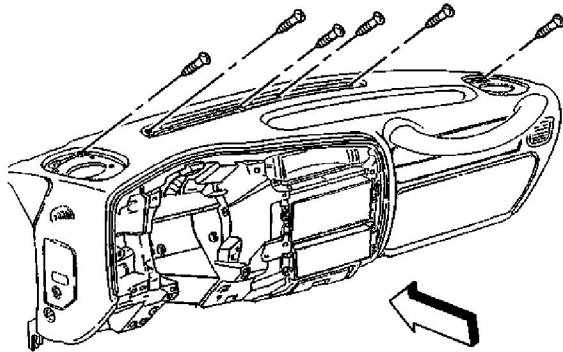


25. Disconnect the electrical connections, as needed.
26. Remove the fastener that retains the radio antenna cable to the instrument panel.
27. Remove the instrument panel from the vehicle.
28. If replacing the instrument panel carrier, retain parts for assembly onto the new instrument panel carrier.

Installation Procedure

1. Install retained parts from the original instrument panel.



2. Install the instrument panel to the vehicle.

Notice

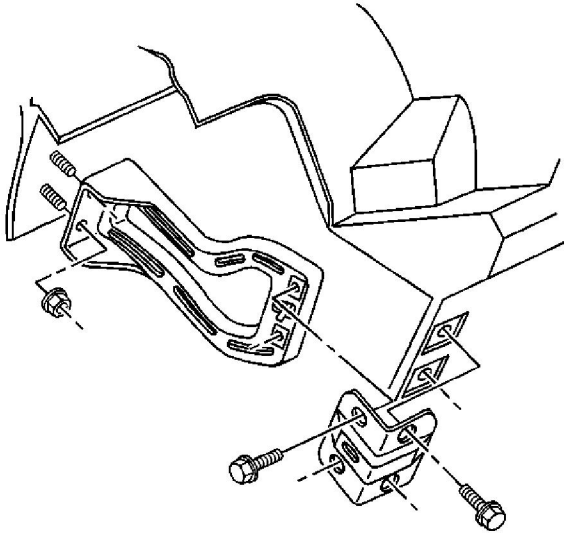
Use the correct fastener in the correct location. Replacement fasteners must be the correct part number for that application. Fasteners requiring replacement or fasteners requiring the use of thread locking compound or sealant are identified in the service procedure. Do not use paints, lubricants, or corrosion inhibitors on fasteners or fastener joint surfaces unless specified. These coatings affect fastener torque and joint clamping force and may damage the fastener. Use the correct tightening sequence and specifications when installing fasteners in order to avoid damage to parts and systems.

3. Install the fastener that retains the radio antenna cable to the instrument panel. **Tighten**

Tighten the fastener to 1.9 N·m (17 lb in).

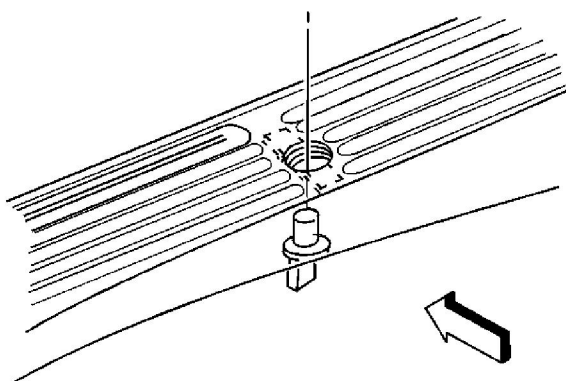
4. Connect the electrical connectors, as needed.
5. Roll the instrument panel up.
6. Install the top instrument panel screws. **Tighten**

Tighten the screws to 1.9 N·m (17 lb in).



7. Raise the steering column into position. Refer to the appropriate procedure:
 - [Steering Column Replacement](#) in Steering Wheel and Column - Standard
 - [Steering Column Replacement](#) in Steering Wheel and Column - Tilt
8. Install the left and right instrument panel driver knee bolster brackets. **Tighten**

Tighten the screws/bolts to 6.3 N·m (56 lb in).



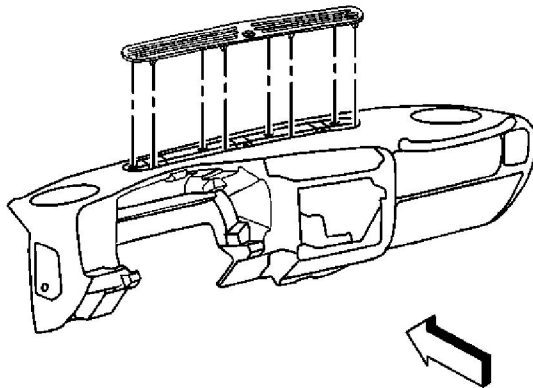
9. Enable the passenger side SIR system. Refer to [Enabling the SIR System](#) in SIR.
10. Install the HVAC control assembly to the instrument panel. Refer to [Control Assembly Replacement](#) in HVAC Systems with A/C - Manual.

11. Install the radio. Refer to [Radio Replacement](#) in Entertainment.
12. Install the instrument cluster. Refer to [Instrument Panel Cluster \(IPC\) Replacement](#) .
13. Install the knee bolster. Refer to [Knee Bolster Replacement](#) .

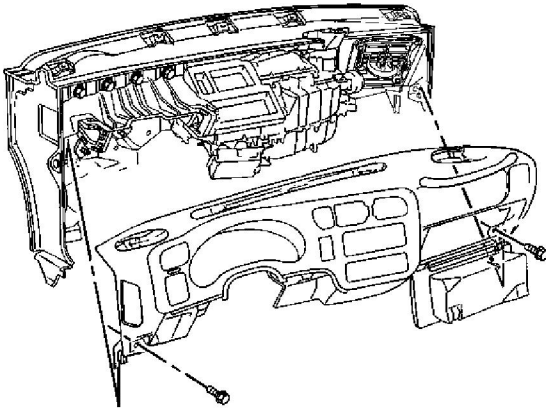
Important

Always connect the purple electrical connector to the BCM before connecting the brown electrical connector to the BCM.

14. Connect the purple electrical connector to the body control module (BCM).
15. Connect the brown electrical connector to the body control module (BCM).
16. If the vehicle is equipped with a sunload sensor, install the sensor to the defroster grille by twisting the sensor $\frac{1}{4}$ turn clockwise.



17. Install the windshield defroster grille by carefully pressing the grille into place.
18. Install the left and right speakers and the speaker grilles. Refer to [Speaker Replacement - Front](#) in Entertainment.



19. Install the lower right instrument panel mounting bolt. **Tighten**

Tighten the bolt to 11.5 N·m (102 lb in).

20. Install the instrument panel storage compartment. Refer to [Door Replacement - Instrument Panel \(I/P\) Compartment](#).
21. Install the lower left instrument panel bolt. **Tighten**

Tighten the bolt to 11.5 N·m (102 lb in).

22. Install the center sound insulator. Refer to [Closeout/Insulator Panel Replacement - Center](#).
23. Install the right sound insulator. Refer to [Closeout/Insulator Panel Replacement - Right](#).
24. Install the center console to the vehicle, if removed. Refer to [Console Replacement - Front Floor](#).
25. Install the left sound insulator. Refer to [Closeout/Insulator Panel Replacement - Left](#).
26. Connect the battery negative cable.
27. On vehicles equipped with an automatic transmission, perform the following steps:
 - A. Turn the ignition switch to the RUN position.
 - B. Depress the brake pedal and shift the transmission to the PARK position.
 - C. Release the park brake.
28. On vehicles equipped with a manual transmission, install the shift lever.

<- Back

Forward ->

Document ID# 527656
2000 Chevrolet/Geo Blazer - 4WD

Print