

Fig. 31: Power Distribution Circuit (1 of 5)

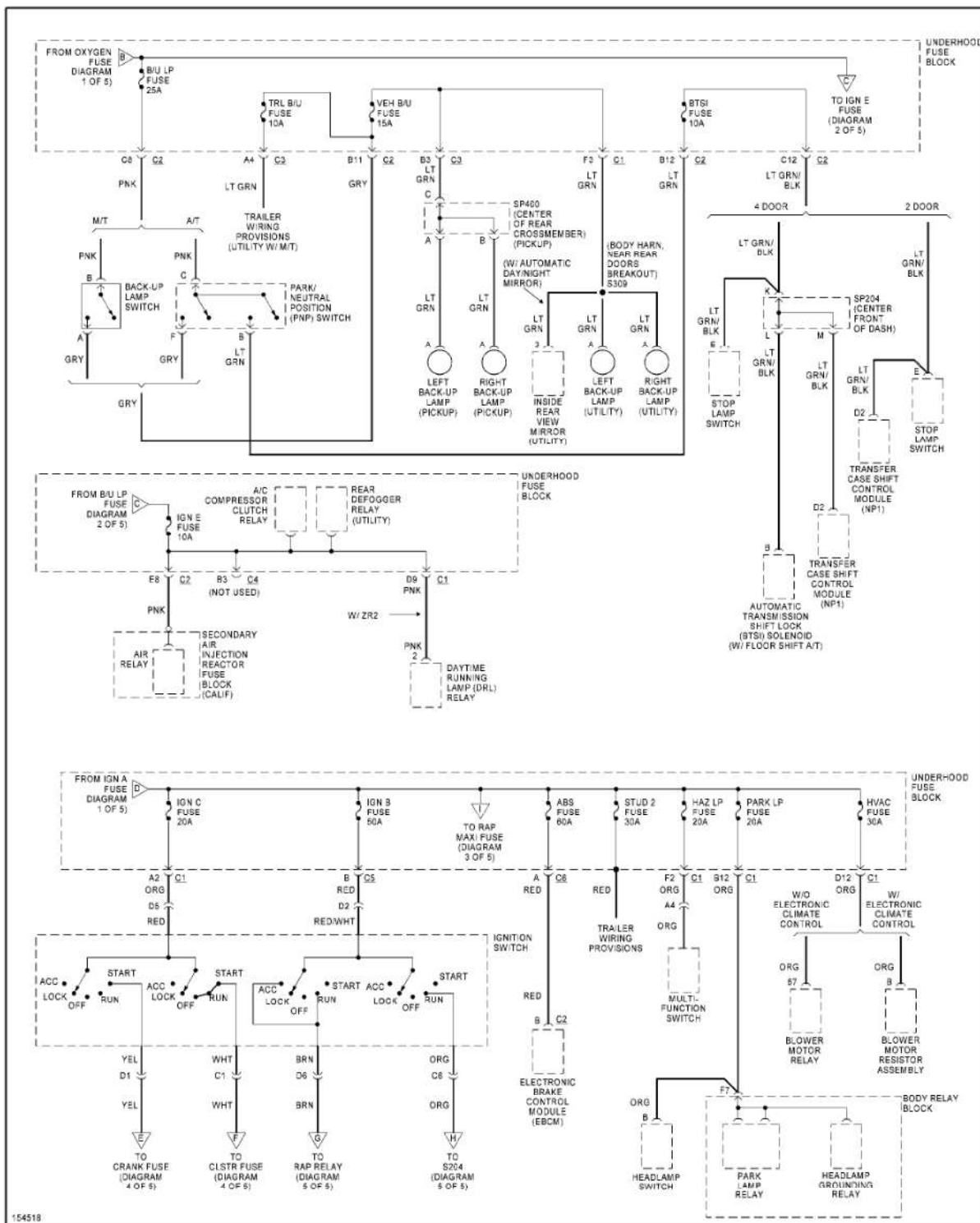


Fig. 32: Power Distribution Circuit (2 of 5)

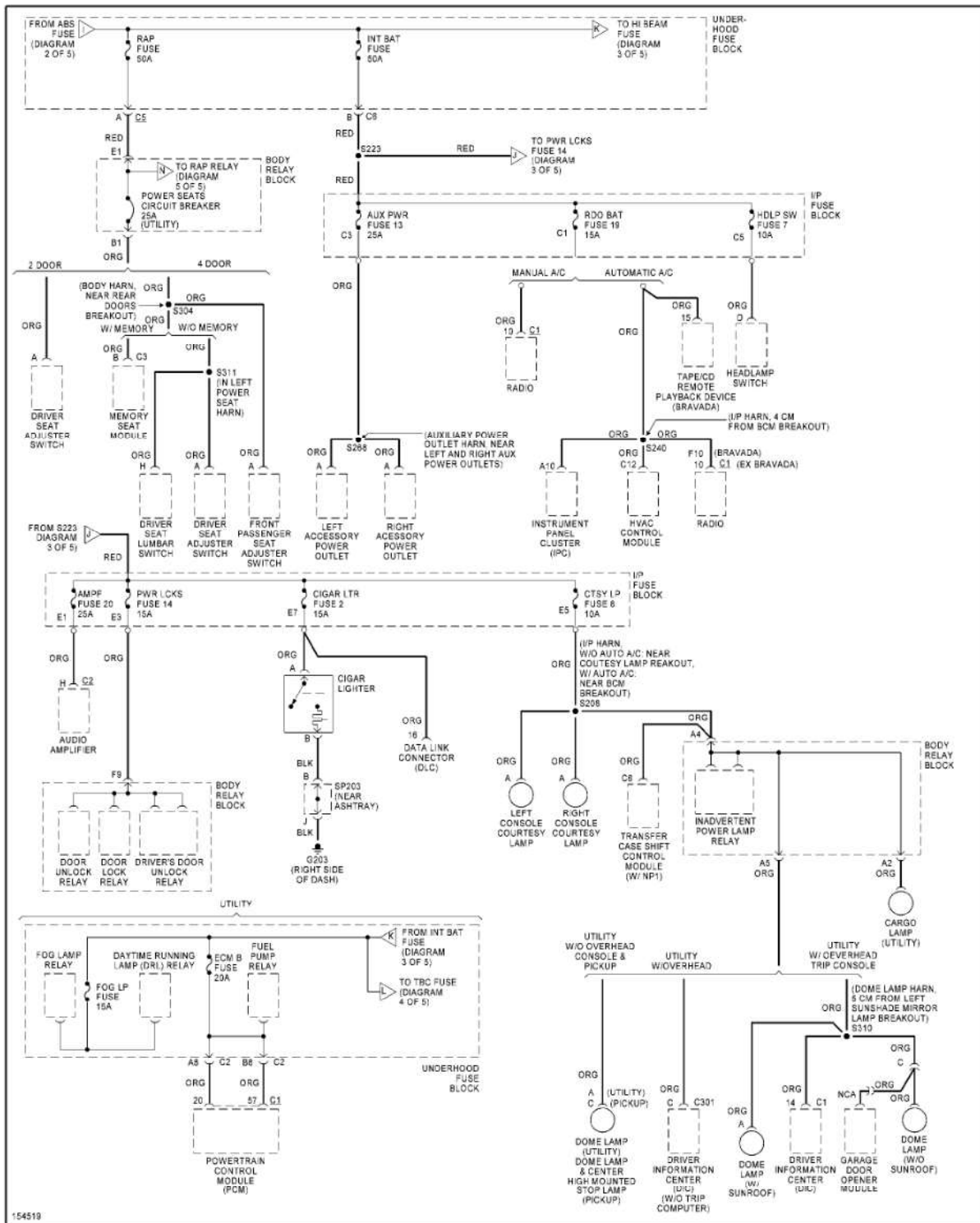


Fig. 33: Power Distribution Circuit (3 of 5)

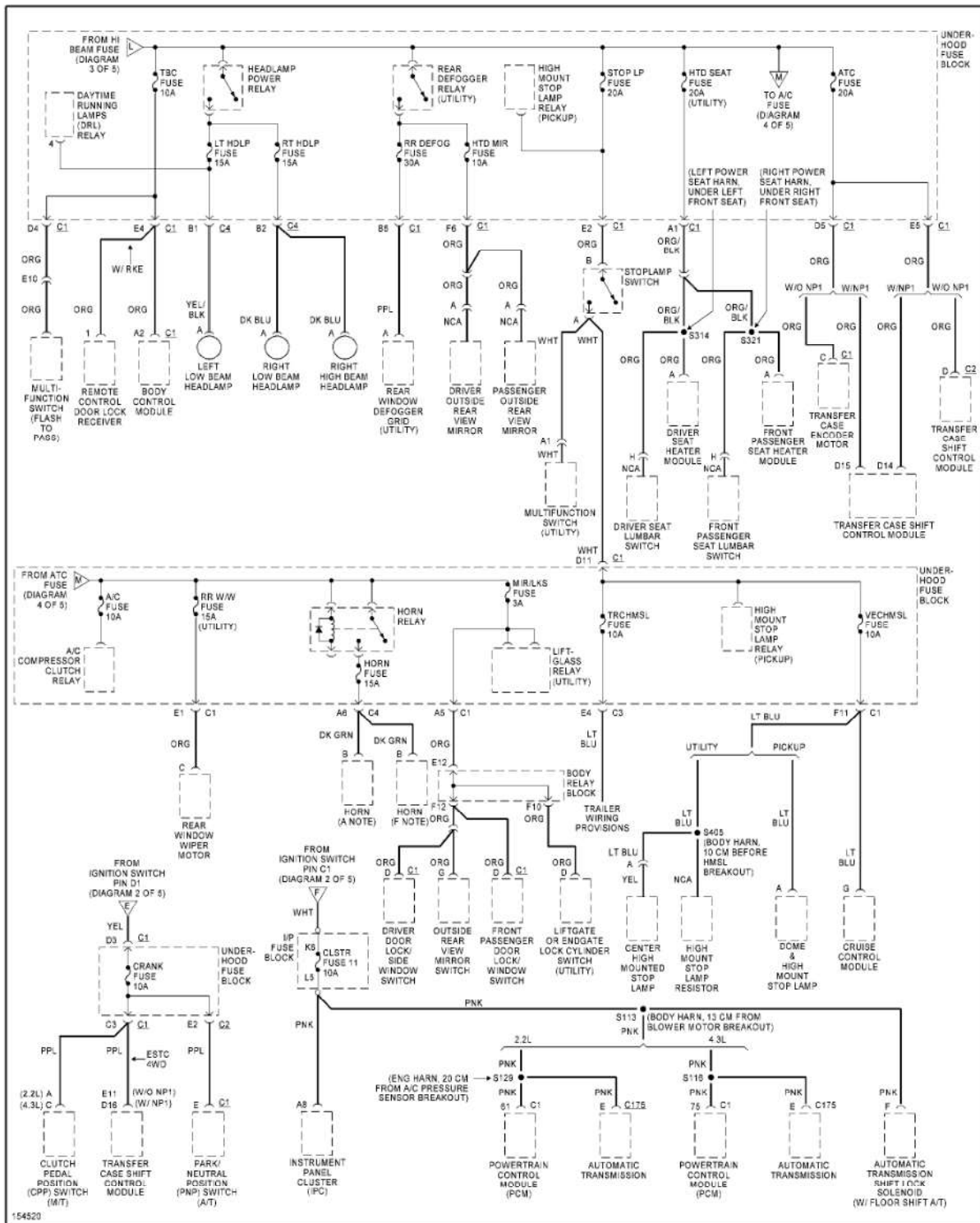


Fig. 34: Power Distribution Circuit (4 of 5)

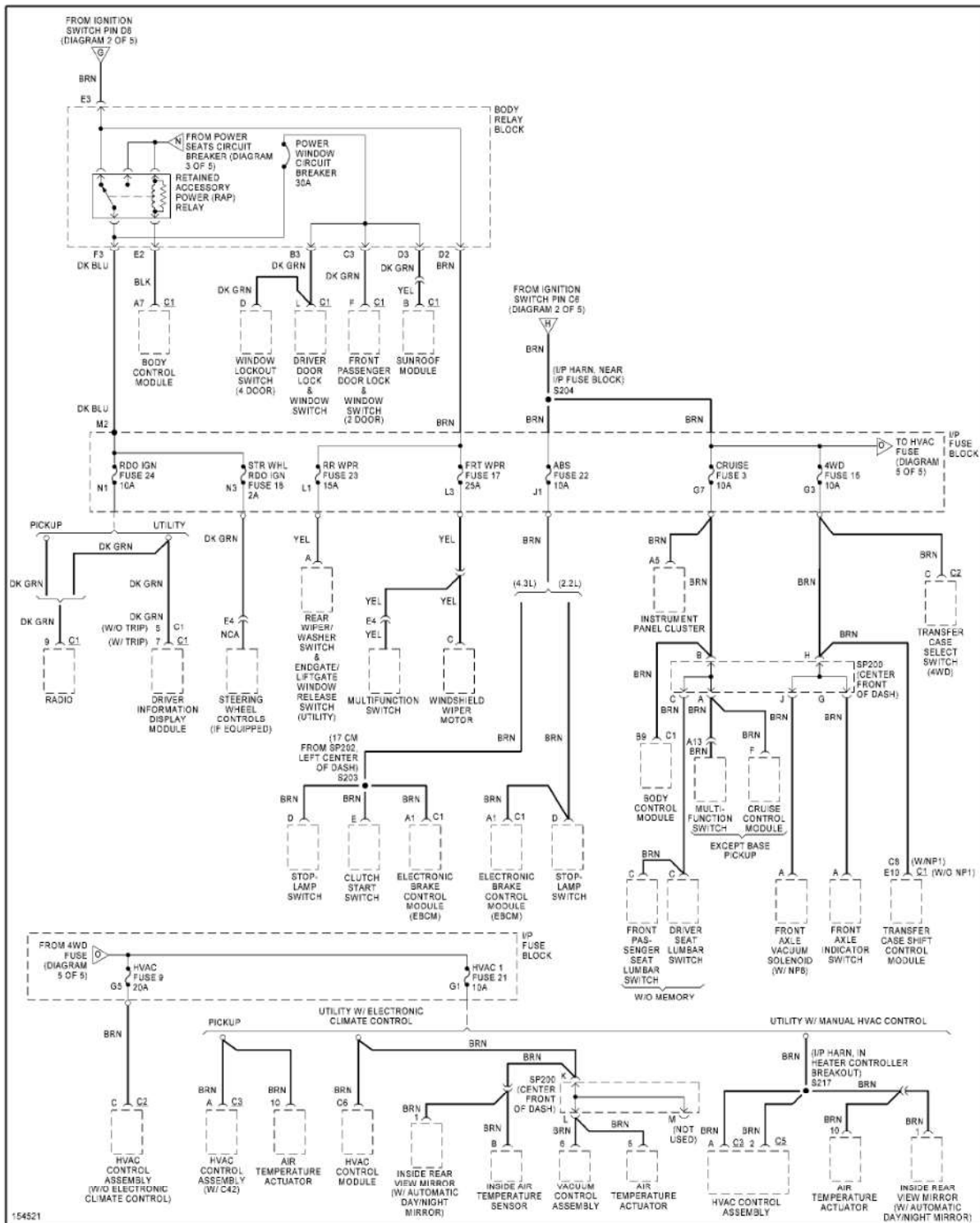


Fig. 35: Power Distribution Circuit (5 of 5)

POWER DOOR LOCKS