

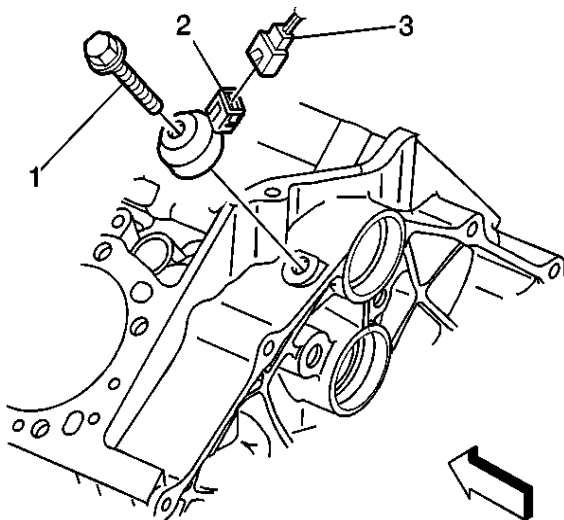
# Knock Sensor (KS) Replacement

## [Removal Procedure](#)

### Caution

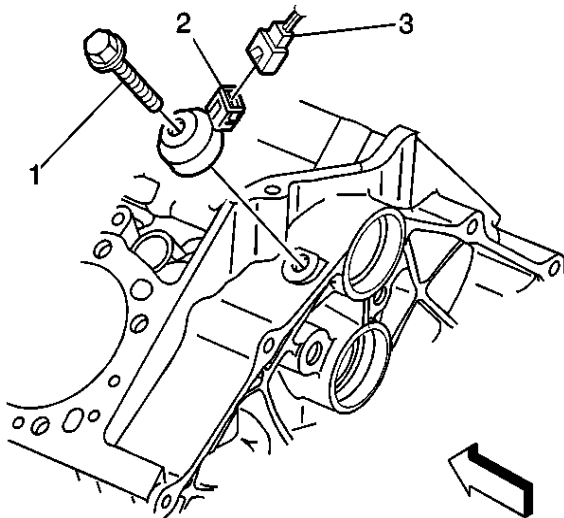
**Before servicing any electrical component, the ignition key must be in the OFF or LOCK position and all electrical loads must be OFF, unless instructed otherwise in these procedures. If a tool or equipment could easily come in contact with a live exposed electrical terminal, also disconnect the negative battery cable. Failure to follow these precautions may cause personal injury and/or damage to the vehicle or its components.**

1. Disconnect the negative battery cable. Refer to [Battery Negative Cable Disconnect/Connect Procedure](#) in Engine Electrical.
2. Remove the distributor. Refer to [Distributor Replacement](#) .
3. Remove the fuel pipes. Refer to [Fuel Hose/Pipes Replacement - Engine Compartment](#) .



4. Disconnect the knock sensor harness connector (3).
5. Remove the knock sensor retaining bolt (1).
6. Remove the knock sensor (2).

## [Installation Procedure](#)



### Notice

Replacement components must be the correct part number for the application. Components requiring the use of the thread locking compound, lubricants, corrosion inhibitors, or sealants are identified in the service procedure. Some replacement components may come with these coatings already applied. Do not use these coatings on components unless specified. These coatings can affect the final torque, which may affect the operation of the component. Use the correct torque specification when installing components in order to avoid damage.

1. Install the knock sensor (2) and bolt (1).

#### **Tighten**

Tighten the sensor to 25 N·m (18 lb ft).

2. Connect the knock sensor harness connector (3).
3. Install the fuel pipes. Refer to [Fuel Hose/Pipes Replacement - Engine Compartment](#) .
4. Install the distributor. Refer to [Distributor Replacement](#) .
5. Connect the negative battery cable. Refer to [Battery Negative Cable Disconnect/Connect Procedure](#) in Engine Electrical.

[<- Back](#)[Forward ->](#)

Document ID# 692338  
2001 Chevrolet/Geo Blazer - 4WD

[Print](#)