

< - Back

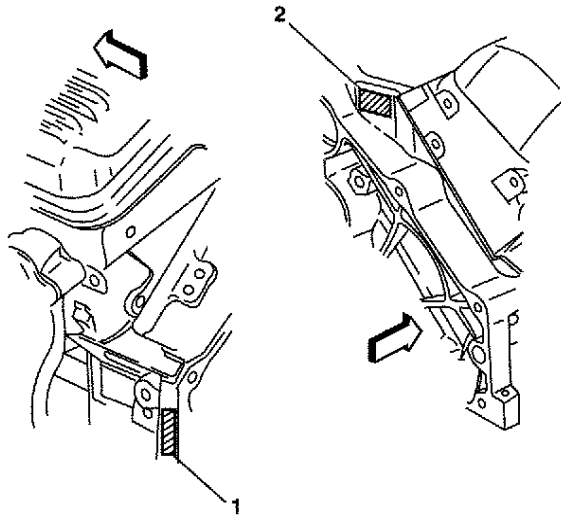
Forward ->

**Document ID# 750211
2002 Chevrolet Blazer - 4WD**

Print

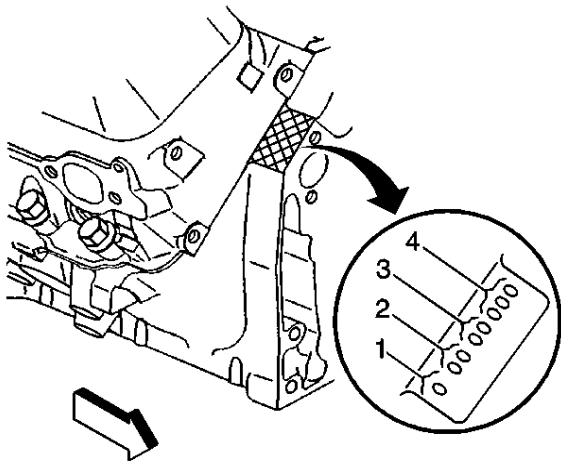
Engine ID and VIN Derivative Location

[Engine ID and VIN Derivative Location \(4.3L\)](#)



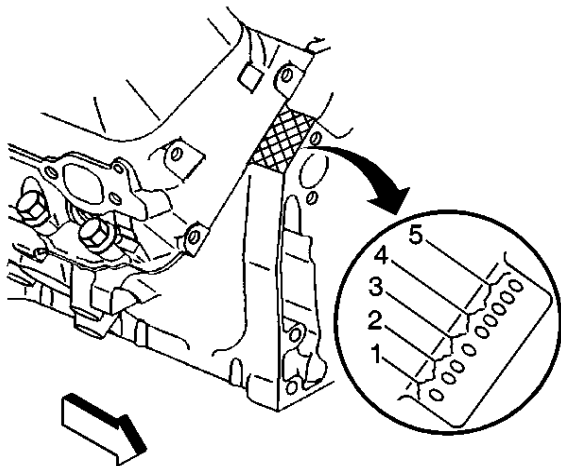
The Vehicle Identification Number (VIN) Derivative is located on the left side rear of the engine block (1) or on the right side rear (2) and typically is a nine digit number stamped or laser etched onto the engine at the vehicle assembly plant.

- The first digit identifies the division.
- The second digit identifies the model year.
- The third digit identifies the assembly plant.
- The fourth through ninth digits are the last 6 digits of the Vehicle Identification Number (VIN).



Engines built at the Tonawanda engine plant have the engine identification number located at the right front top of the engine block.

- The first digit (1) is the source code.
- The second and third digits (2) are the month of build.
- The fourth and fifth digits (3) are the date of build.
- The sixth, seventh, and eighth digits (4) are the broadcast code.



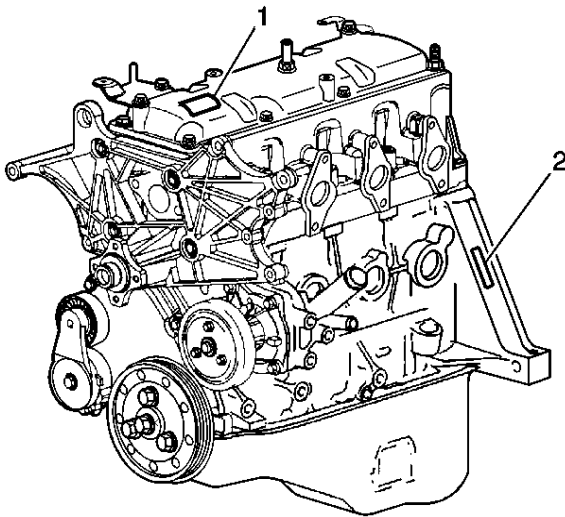
Engines built at the Romulus engine plant have the engine identification number located at the right front top of the engine block.

- The first digit (1) is the source code.

- The second and third digits (2) are the month of build.
- The fourth digit (3) is the hour of the build.
- The fifth and sixth digits (4) are the date of build.
- The seventh, eighth, and ninth digits (5) are the broadcast code.

Engine ID and VIN Derivative Location (2.2L)

•



Identification can be made through the use of the Broadcast Code label on the valve rocker arm cover (1) and the use of the partial VIN etched on the left side of the engine block above the starter (2).

- The broadcast code identifies the engine, transmission, and vehicle relationship. The partial VIN identifies the specific vehicle by sequence number.

< - Back

Forward ->

Document ID# 750211
2002 Chevrolet Blazer - 4WD

Print