

< - Back

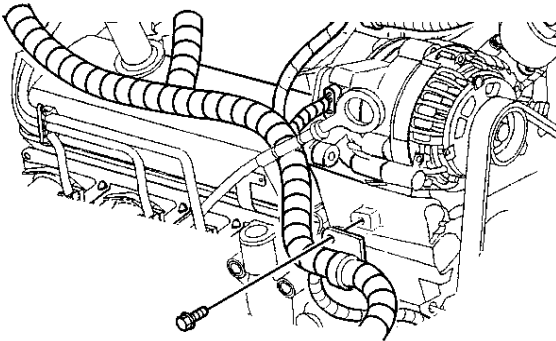
Forward ->

Document ID# 713099
2005 Chevrolet Blazer - 4WD

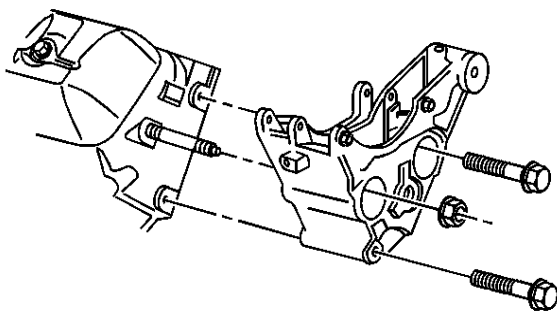
Print

Generator Bracket Replacement 4.3L

[Removal Procedure](#)

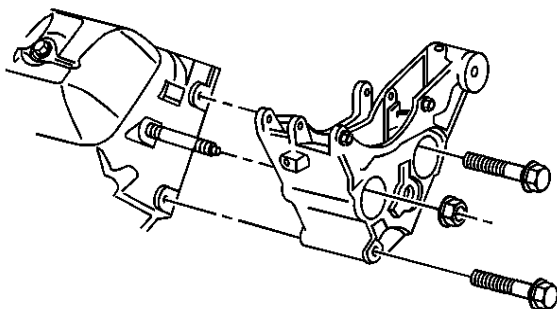


1. Disconnect the negative battery cable. Refer to [Battery Negative Cable Disconnect/Connect Procedure](#).
2. Remove the engine cooling fan. Refer to [Fan Clutch Replacement](#) in Engine Cooling.
3. Remove the drive belt. Refer to [Drive Belt Replacement](#) in Engine Mechanical - 4.3L.
4. Remove the generator. Refer to [Generator Replacement](#).
5. Remove the engine wiring harness bracket from the generator mounting bracket.
6. Remove the drive belt tensioner. Refer to [Drive Belt Tensioner Replacement](#) in Engine Mechanical - 4.3L.
7. Remove the drive belt idler pulley. Refer to [Drive Belt Idler Pulley Replacement - Right](#) in Engine Mechanical - 4.3L.



8. Remove the 3 bolts and nut holding the generator mounting bracket to the engine.
9. Remove the generator mounting bracket.

Installation Procedure



1. Install the generator mounting bracket to the cylinder head.

Notice

Use the correct fastener in the correct location. Replacement fasteners must be the correct part number for that application. Fasteners requiring replacement or fasteners requiring the use of thread locking compound or sealant are identified in the service procedure. Do not use paints, lubricants, or corrosion inhibitors on fasteners or fastener joint surfaces unless specified. These coatings affect fastener torque

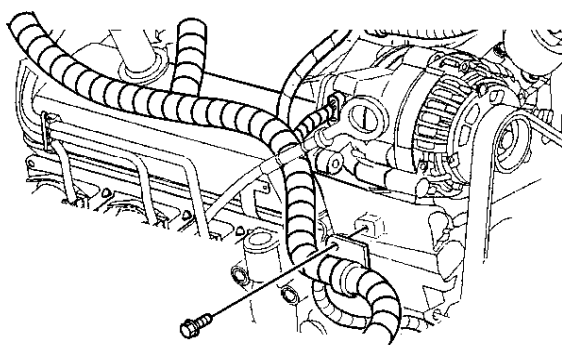
and joint clamping force and may damage the fastener. Use the correct tightening sequence and specifications when installing fasteners in order to avoid damage to parts and systems.

2. Install the 2 generator mounting bracket bolts and the nut.

Tighten

Tighten the generator mounting bracket bolts and nut to 41 N·m (30 lb ft).

3. Install the drive belt idler pulley. Refer to [Drive Belt Idler Pulley Replacement - Right](#) in Engine Mechanical - 4.3L.
4. Install the drive belt tensioner. Refer to [Drive Belt Tensioner Replacement](#) in Engine Mechanical - 4.3L.



5. Install the engine wiring harness bracket to the generator mounting bracket.

Tighten

Tighten the engine wiring harness bracket bolt to 25 N·m (18 lb ft).

6. Install the generator. Refer to [Generator Replacement](#) .
7. Install the drive belt. Refer to [Drive Belt Replacement](#) in Engine Mechanical - 4.3 L.
8. Install the engine cooling fan. Refer to [Fan Clutch Replacement](#) in Engine Cooling.
9. Connect the negative battery cable. Refer to [Battery Negative Cable Disconnect/Connect Procedure](#) .

<- Back

Forward ->

Document ID# 713099
2005 Chevrolet Blazer - 4WD

Print