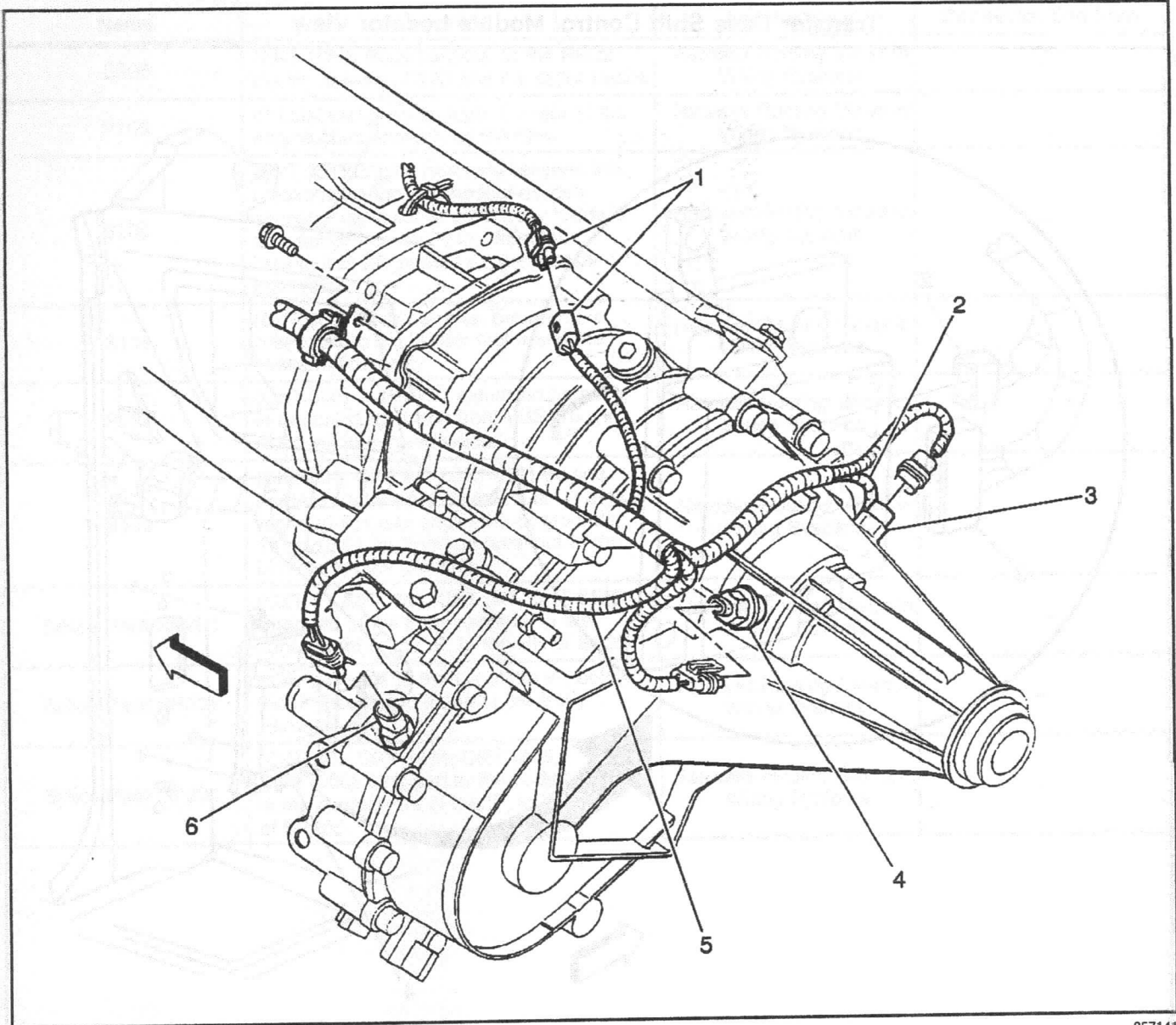


Transfer Case

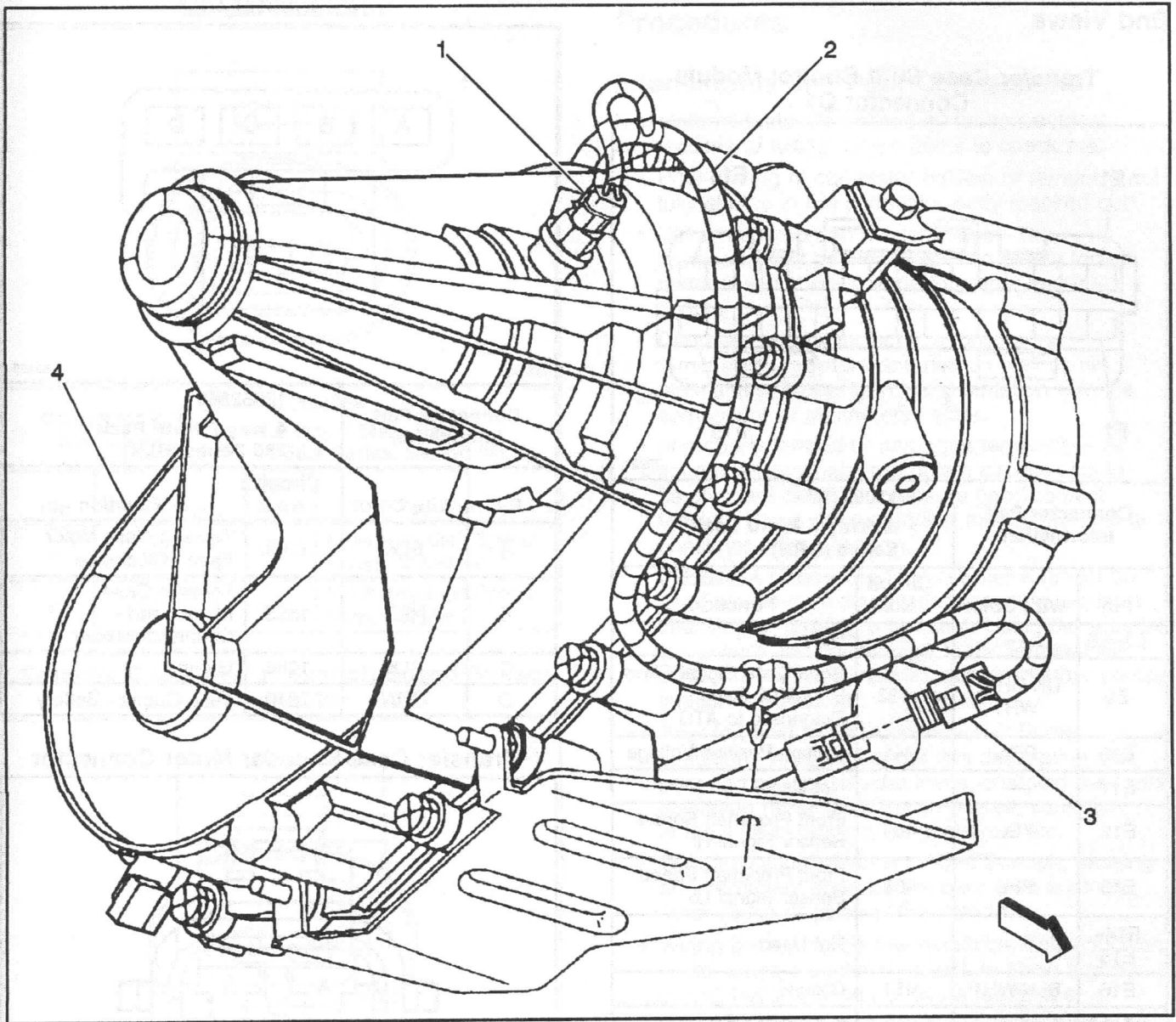


357141

Legend

- | | |
|---|--|
| (1) C116 | (4) Vehicle Speed Sensor (VSS) and Connector |
| (2) Transfer Case Encoder Motor | (5) S134 |
| (3) Transfer Case Rear Propshaft Speed Sensor and Connector | (6) Transfer Case Front Propshaft Speed Sensor and Connector |

Transfer Case, RH Rear (Bravada)



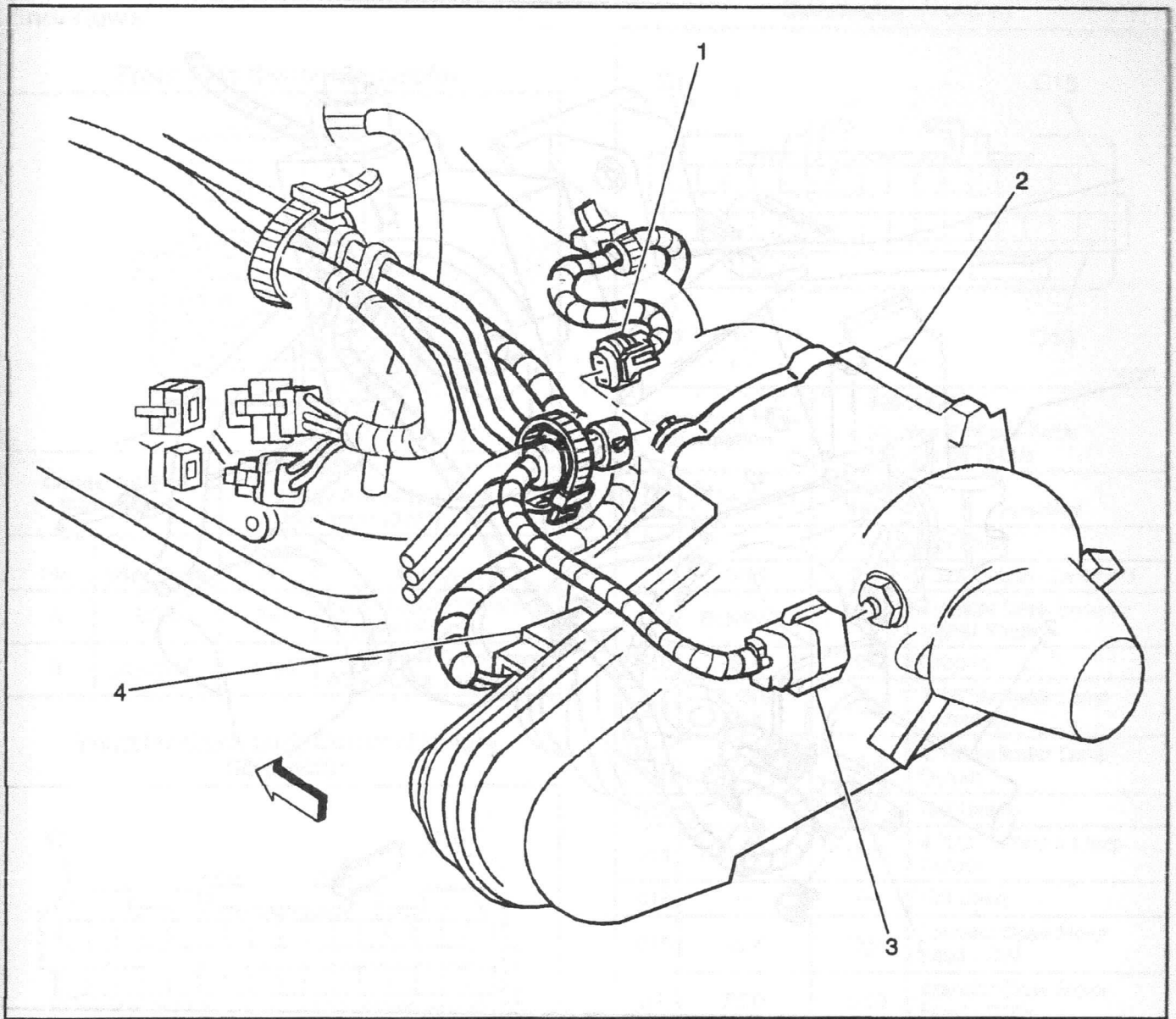
421497

Legend

- (1) Transfer Case Rear Propshaft Speed Sensor and Connector
- (2) Active Transfer Case Harness

- (3) Transfer Case Encoder Motor and Connector
- (4) Transfer Case (NP4)

Electric Shift Transfer Case Locator View

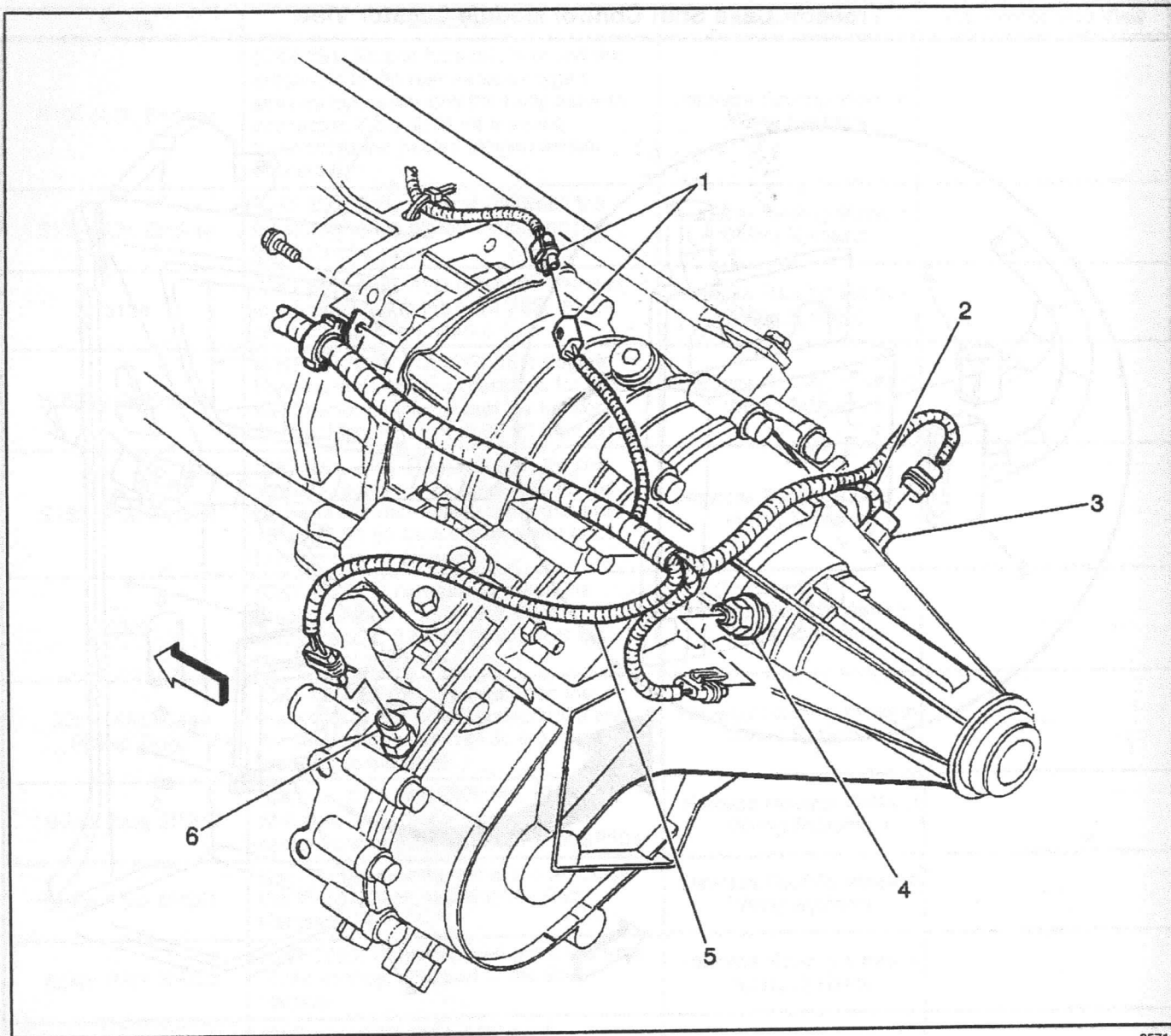


203300

Legend

- | | |
|--|--|
| (1) Connector C116 (Engine Harness to VSS Extension Harness) | (3) Vehicle Speed Sensor |
| (2) Selectable Transfer Case | (4) Selectable Transfer Case extension harness connector |

Transfer Case

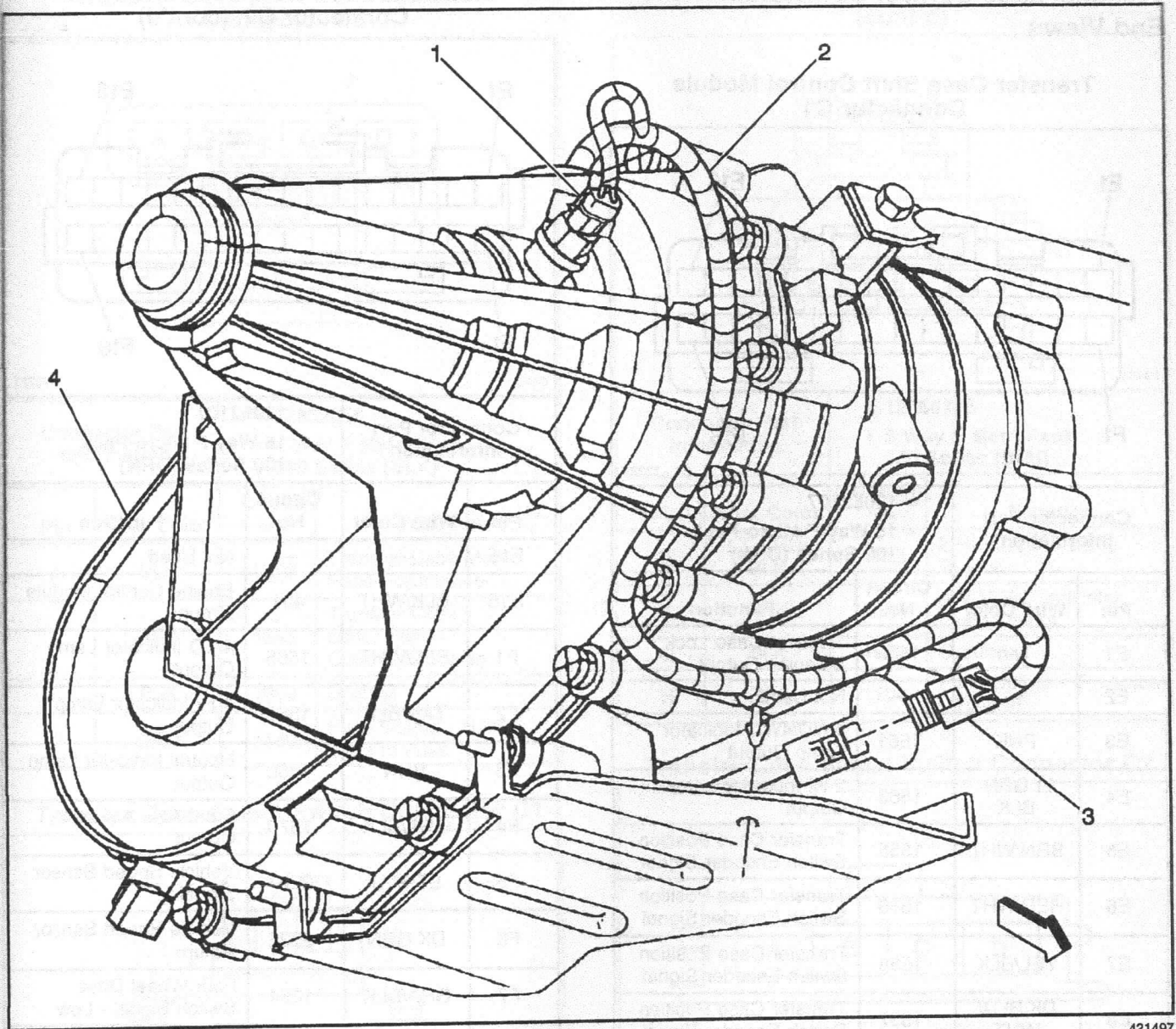


357141

Legend

- | | |
|---|--|
| (1) C116 | (4) Vehicle Speed Sensor (VSS) and Connector |
| (2) Transfer Case Encoder Motor | (5) S134 |
| (3) Transfer Case Rear Propshaft Speed Sensor and Connector | (6) Transfer Case Front Propshaft Speed Sensor and Connector |

Transfer Case, RH Rear (Bravada)



421497

Legend

- (1) Transfer Case Rear Propshaft Speed Sensor and Connector
- (2) Active Transfer Case Harness
- (3) Transfer Case Encoder Motor and Connector
- (4) Transfer Case (NP4)