

<- Back

Forward ->

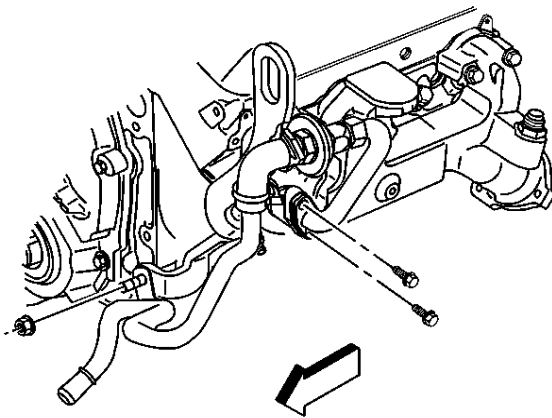
Document ID# 582398
1999 Chevrolet/Geo Blazer - 4WD

Print

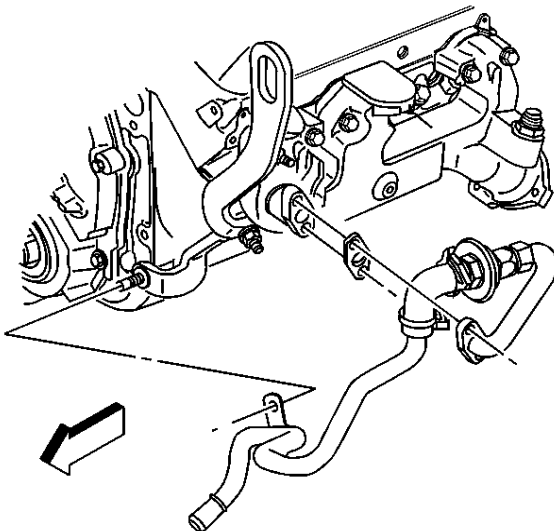
AIR Check Valve/Pipe Replacement - Bank 1

Removal Procedure

1. Raise the vehicle. Refer to [Lifting and Jacking the Vehicle](#) in General Information.
2. Remove the steering linkage shield. Refer to [Steering Linkage Shield Replacement](#) in Steering Linkage (Non-Rack and Pinion).

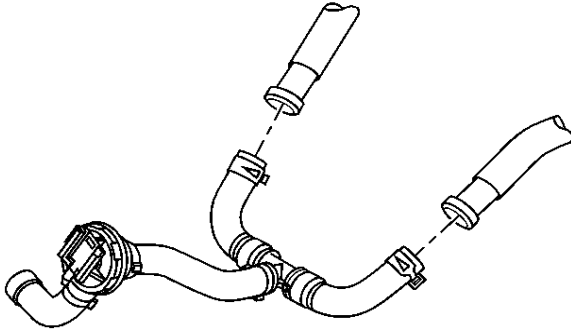


3. Remove the AIR reactor pipe assembly bolts.

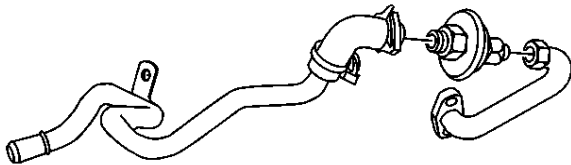




4. Remove the AIR reactor pipe assembly and gasket.



5. Disconnect the reactor pipe assembly from the reactor pipes by releasing the spring clamps.

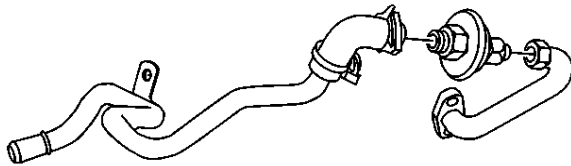


Important

Perform this last step only if the check valve needs replacement.

6. Separate the check valve from the reactor pipe by loosening the spring clamp and pipe locknut.

Installation Procedure

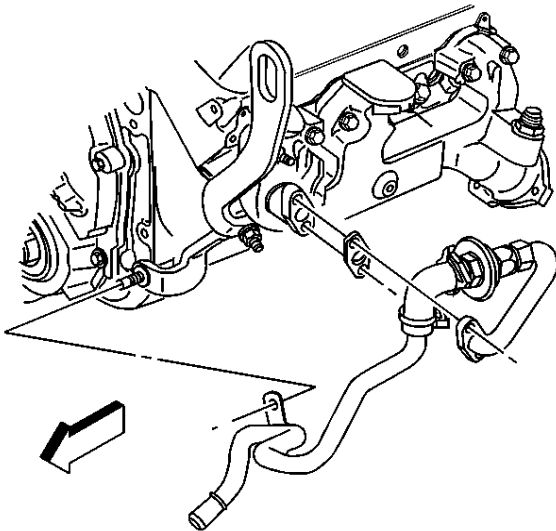


Notice

Use the correct fastener in the correct location. Replacement fasteners must be the correct part number for that application. Fasteners requiring replacement or fasteners requiring the use of thread locking compound or sealant are identified in the service procedure. Do not use paints, lubricants, or corrosion inhibitors on fasteners or fastener joint surfaces unless specified. These coatings affect fastener torque and joint clamping force and may damage the fastener. Use the correct tightening sequence and specifications when installing fasteners in order to avoid damage to parts and systems.

1. Skip the first step if the check valve has not been removed. Connect the reactor pipe and check valve by installing the spring clamp and tightening the pipe locknut. **Tighten**

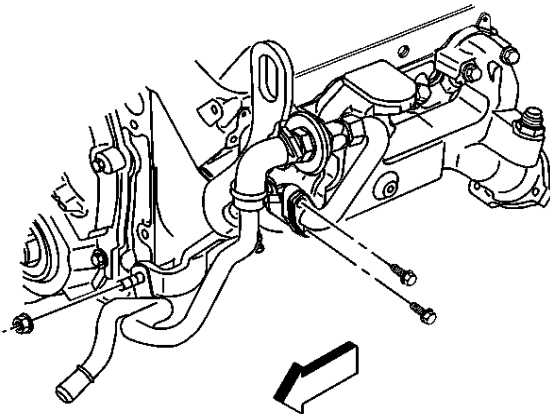
Tighten the locknut to 10 N·m (89 lb in).



Important

Clean the manifold mounting surface of any debris or carbon buildup. An airhole could adversely effect vehicle emissions and driveability.

2. Install the reactor pipe and gasket.



3. Install the AIR reactor pipe assembly bolts. **Tighten**

Tighten the mounting bolts to 25 N·m (18 lb ft). Tighten the reactor pipe assembly retainer bolt to 40 N·m (30 lb ft).

4. Connect the reactor pipe assembly to the reactor pipes by installing the spring clamps.
5. Install the steering linkage shield. Refer to [Steering Linkage Shield Replacement](#) in Steering Linkage (Non-Rack and Pinion).

Document ID# 582398
1999 Chevrolet/Geo Blazer - 4WD