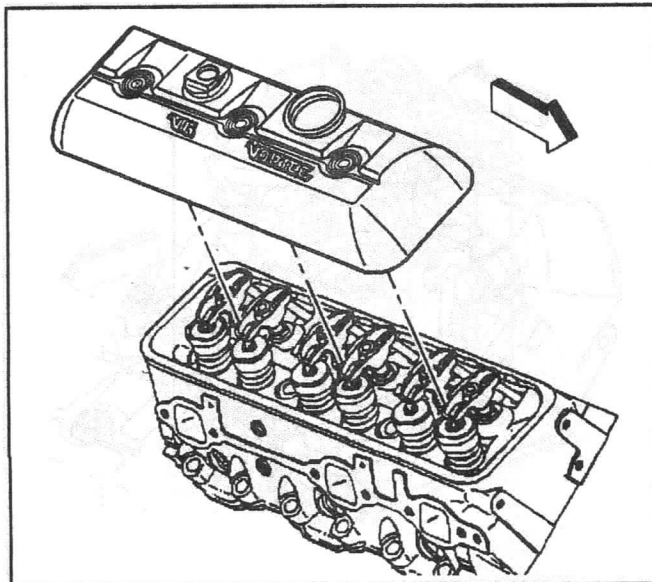
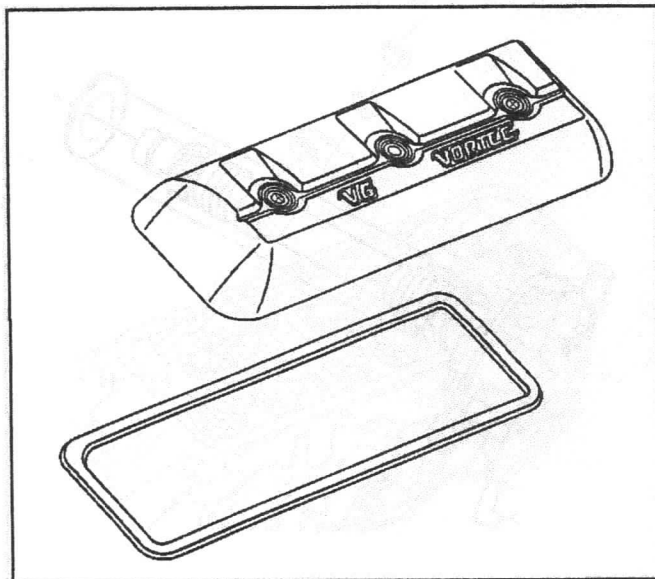


- 4. Remove the valve rocker arm cover.



328571

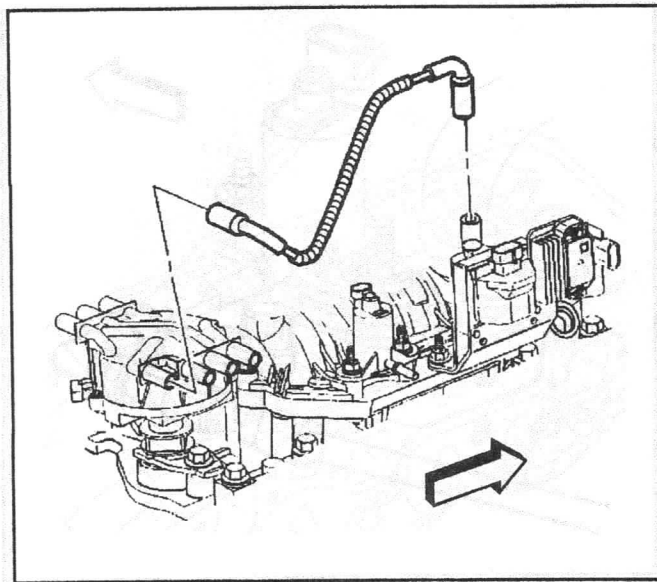
- 5. Remove the valve rocker arm cover gasket.
- 6. Discard the valve rocker arm cover gasket.



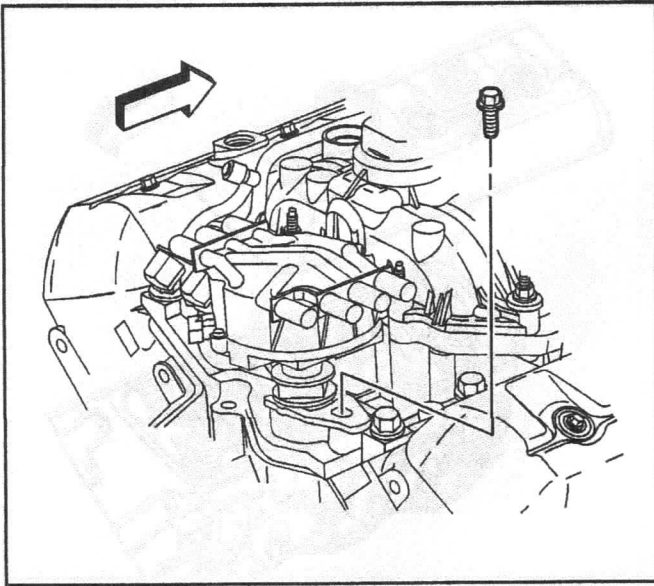
328573

**Distributor Removal**

- 1. Remove the ignition coil wire harness from the ignition coil and distributor cap.

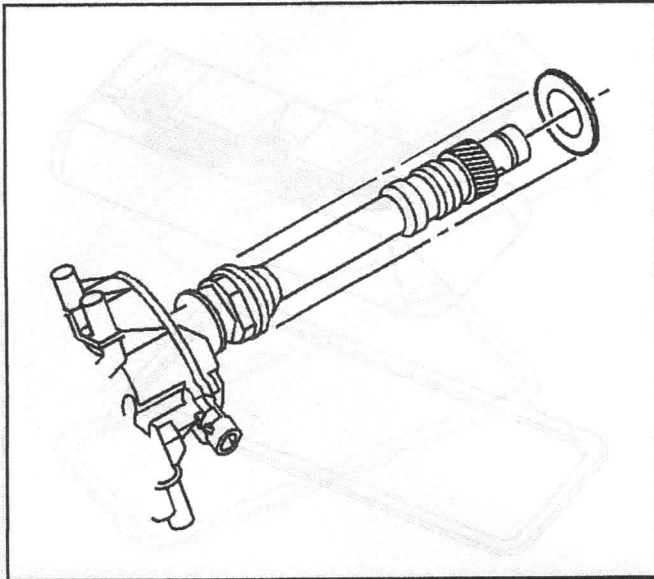


328575



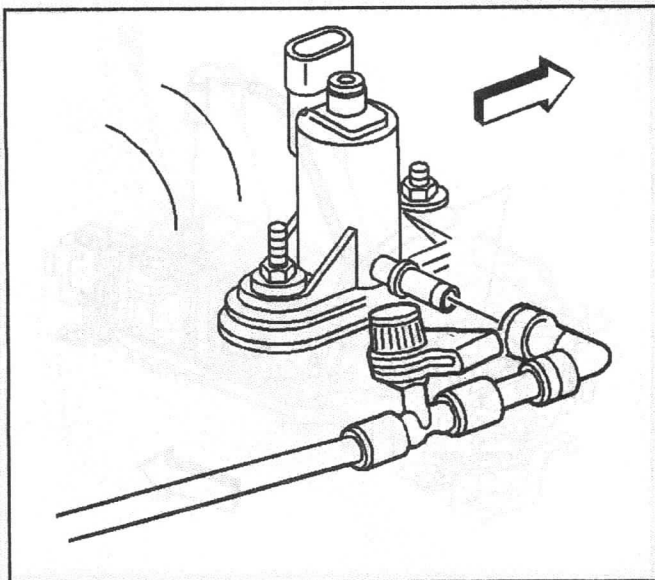
569265

2. Remove the distributor clamp bolt.
3. Remove the distributor and the distributor clamp.



523516

4. Remove the distributor gasket and discard.



328579

### Intake Manifold Removal

1. Remove the evaporative emission (EVAP) canister purge solenoid valve harness.
  - 1.1. Push the quick disconnect clip and hold in place.
  - 1.2. Pull outward on the harness elbow.

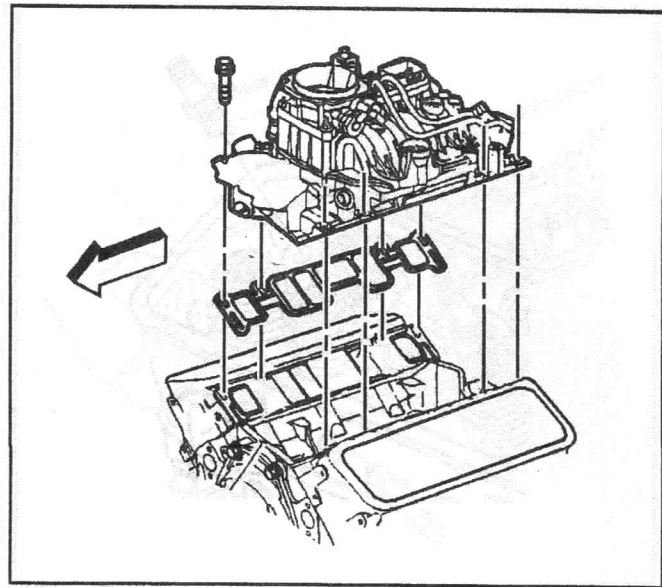
2. Remove the engine coolant temperature (ECT) sensor wire connector (if equipped) from the engine wiring harness bracket.
3. Remove the lower intake manifold bolts.

**Important:** The intake manifold may be removed as an assembly. Do not remove the specific intake manifold components unless component service is required.

Do not allow dirt or debris to enter the fuel system. Ensure that the ends of the fuel system are properly sealed.

Do not disassemble the Central Sequential Fuel Injection (SFI) unit, unless service is required.

4. Remove the intake manifold assembly.
5. Remove and discard the lower intake manifold gaskets.

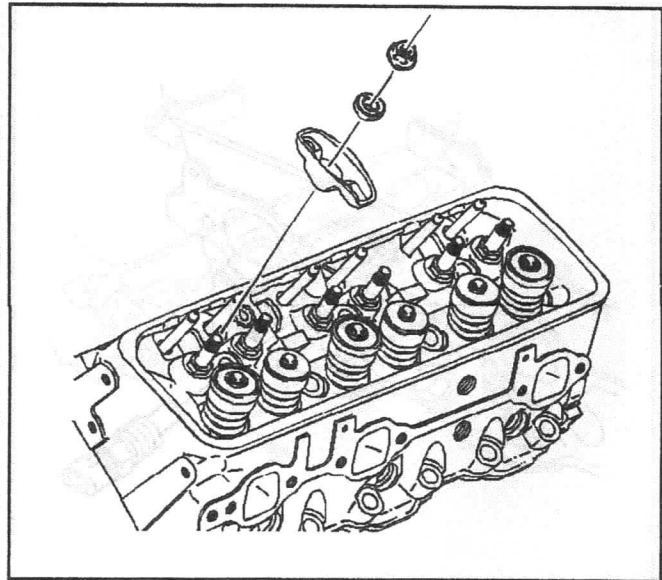


31510

## Valve Rocker Arm and Push Rod Removal

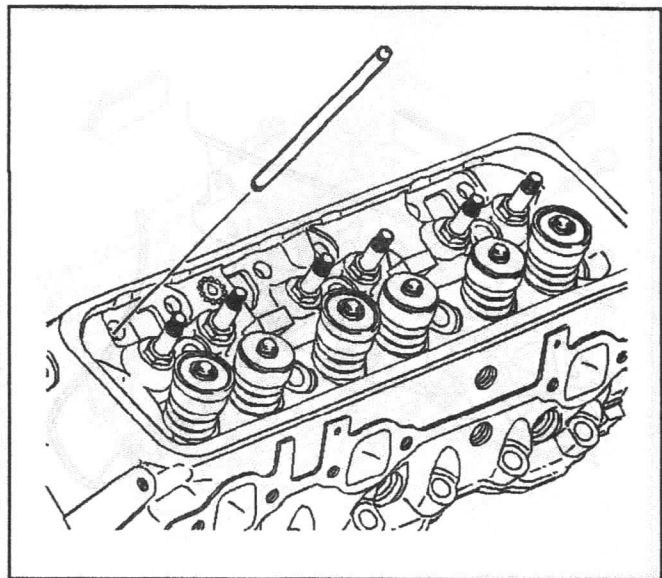
**important:** Mark, sort, and organize all the components for assembly.

1. Remove the following components from the cylinder head:
  - 1.1. The valve rocker arm nuts
  - 1.2. The valve rocker arm balls
  - 1.3. The valve rocker arms



4045

2. Remove the valve pushrods.



4047