

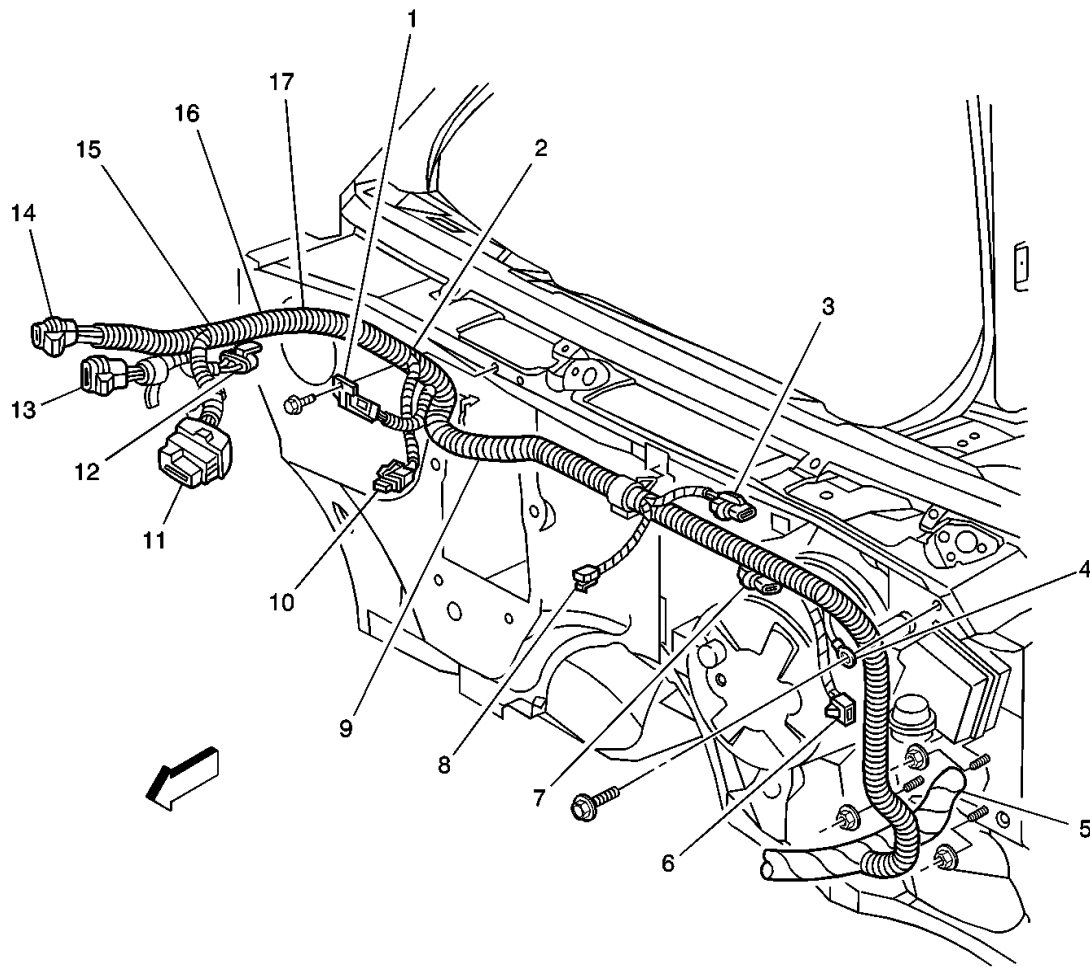
<- Back

Forward ->

Document ID# 610216
2000 Chevrolet/Geo Blazer - 4WD

Print

FIGURE Body Harness to Cowl(c)



- (1) Blower Motor Relay Connector
- (2) Body Harness
- (3) Windshield Wiper Motor Connector
- (4) G117
- (5) P100
- (6) Cruise Control Module (CCM) Connector
- (7) Underhood Lamp Connector
- (8) Front Drive Axle Clutch Solenoid Connector

- (9) S138
- (10) Blower Motor Resistor Connector
- (11) Vehicle Control Module (VCM), Connector C4
- (12) Blower Motor Connector (C42/C60), Blower Motor Control Module (C68)
- (13) C101 (2.2 L)
- (14) C101 (4.3 L)
- (15) S121
- (16) S113
- (17) S118

[-< Back](#)[Forward ->](#)

Document ID# 610216
2000 Chevrolet/Geo Blazer - 4WD

[Print](#)