

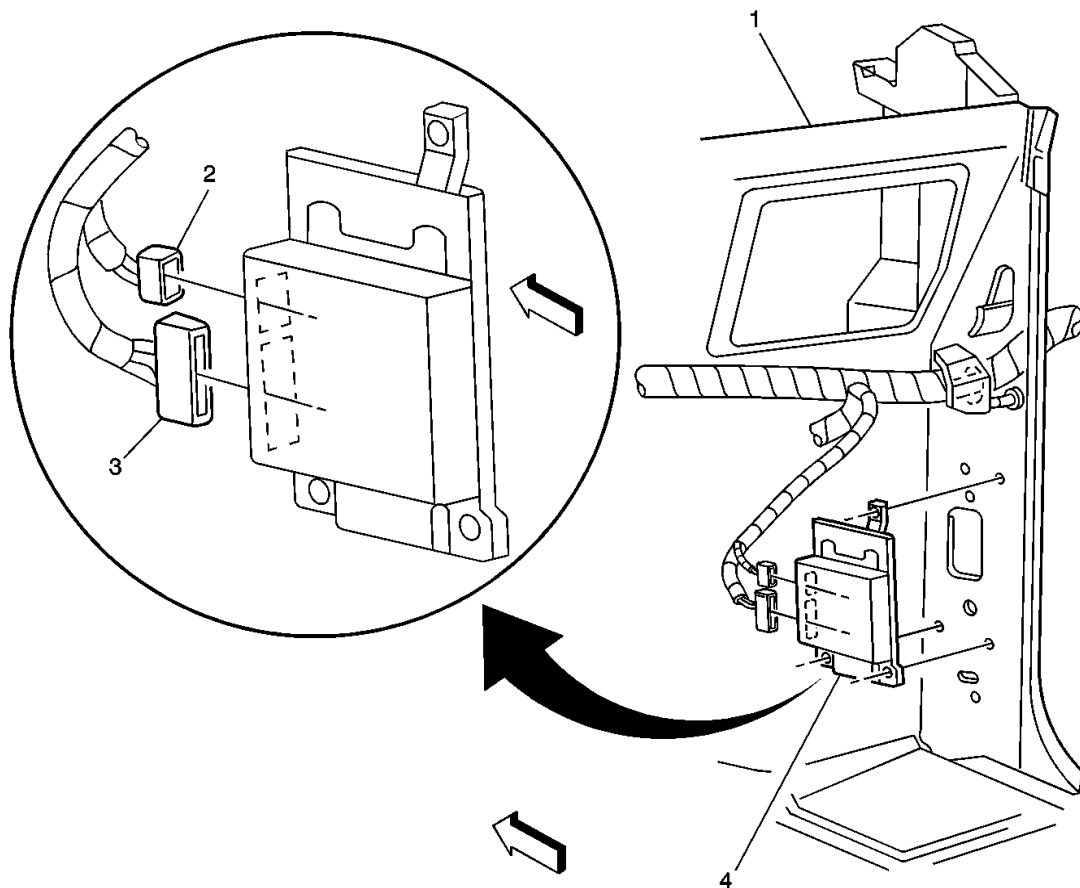
<- Back

Forward ->

Document ID# 577856
2000 Chevrolet/Geo Blazer - 4WD

Print

FIGURE Transfer Case Shift Control Module(c)



- (1) Right Side Cowl Panel
- (2) Transfer Case Shift Control Module Connector (Not Used on Selectable)
- (3) Transfer Case Shift Control Module Connector
- (4) Transfer Case Shift Control Module

<- Back

Forward ->

Document ID# 577856
2000 Chevrolet/Geo Blazer - 4WD

Print