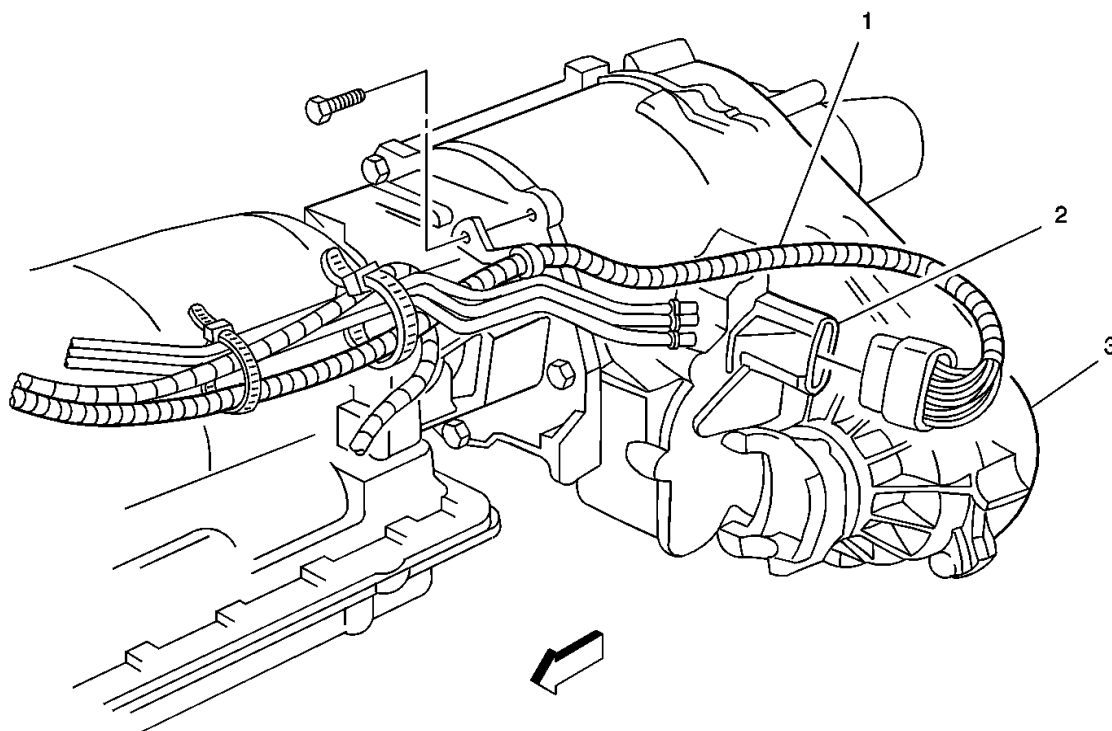


<- Back

Forward ->

Document ID# 610219
2000 Chevrolet/Geo Blazer - 4WD

Print

FIGURE Transfer Case (NP1) Harness Routing View(c)

- (1) Electric Shift Transfer Case Harness
- (2) Transfer Case Encoder Motor Connector
- (3) Electric Shift Transfer Case (NP1)

<- Back

Forward ->

Document ID# 610219
2000 Chevrolet/Geo Blazer - 4WD

Print