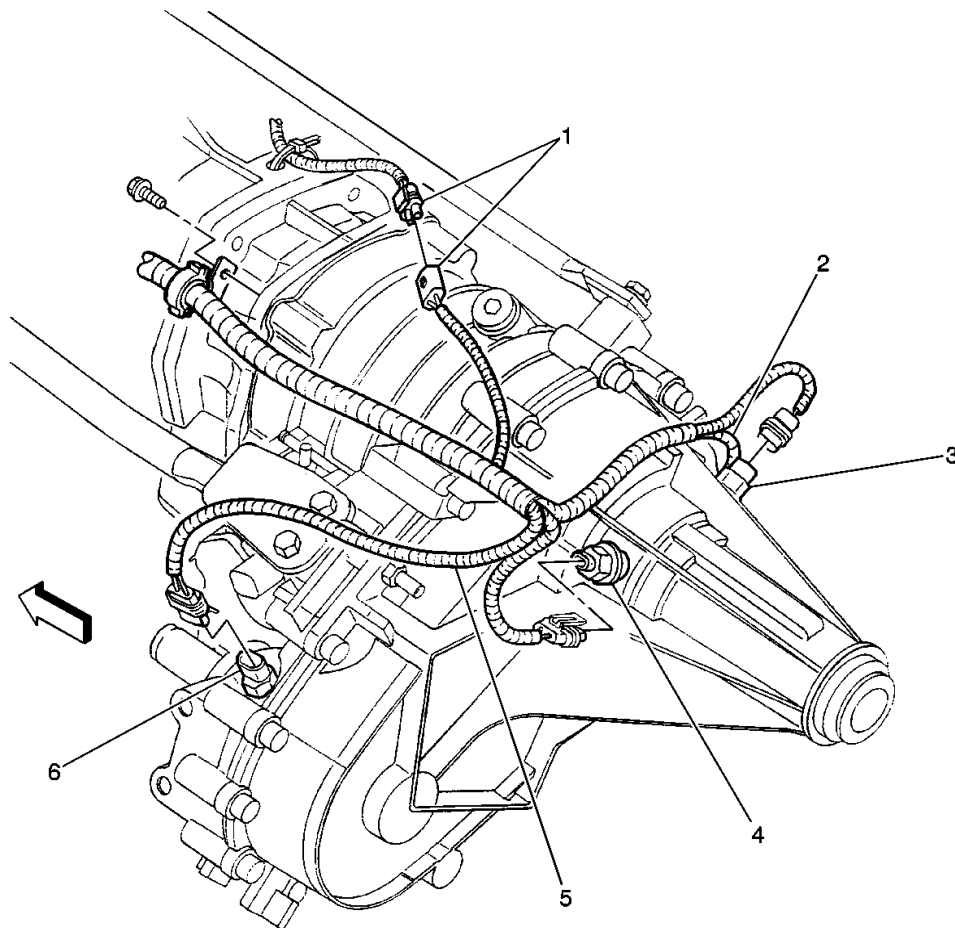


&lt;- Back

Forward -&gt;

**Document ID# 579595**  
**2000 Chevrolet/Geo Blazer - 4WD**

Print

**FIGURE Transfer Case(c)**

- (1) C116
- (2) Transfer Case Encoder Motor
- (3) Vehicle Speed Sensor (VSS) and Connector
- (4) Transfer Case Rear Propshaft Speed Sensor and Connector
- (5) S134
- (6) Transfer Case Front Propshaft Speed Sensor and Connector

**Document ID# 579595**

[<- Back](#)

[Forward ->](#)

## 2000 Chevrolet/Geo Blazer - 4WD

[Print](#)