

Fig. 20: Ground Distribution Circuit (2 of 3)

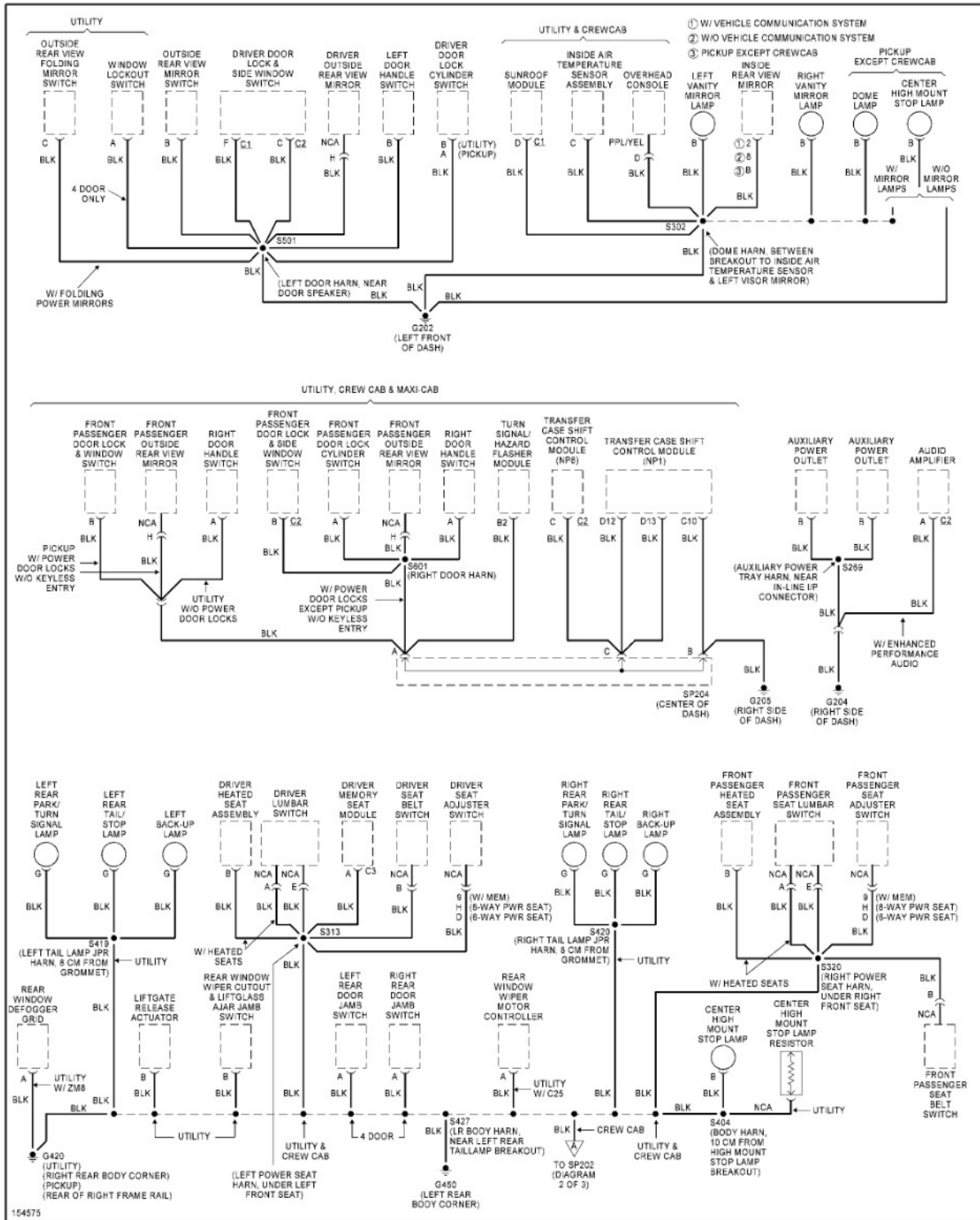


Fig. 21: Ground Distribution Circuit (3 of 3)

HEADLIGHTS