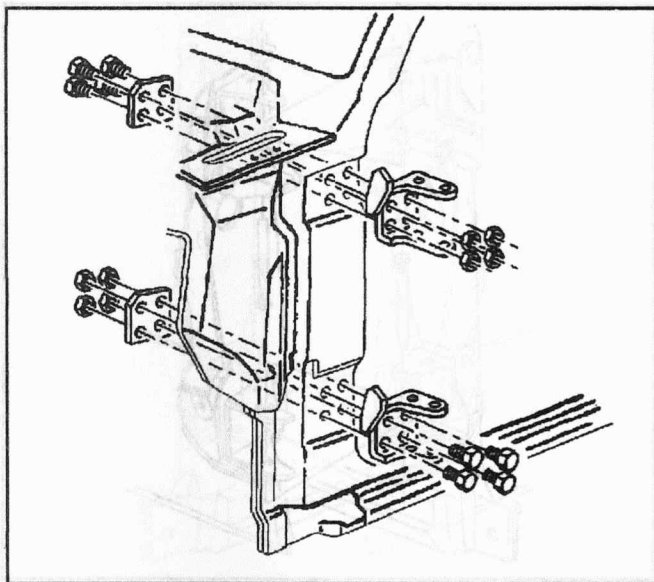


5993

9. Use the *J 39761-A* in order to install the door hinge spring.
10. Remove the tape from the door and the B-pillar.
11. Install the cross-body wire harness connector.
12. Install the rubber conduit to the door and the B-pillar.
13. Install the body hinge pillar trim panel. Refer to *Trim Panel Replacement - Left Hinge Pillar* or *Trim Panel Replacement - Right Hinge Pillar* in Interior Trim.

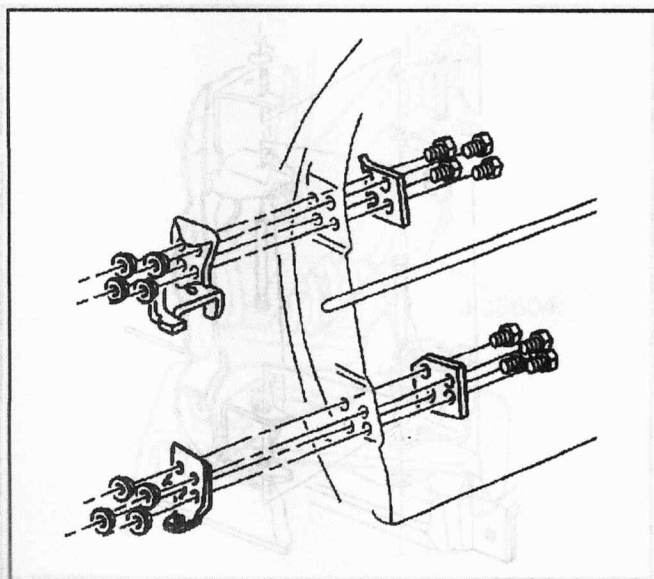


6383

Hinge Replacement - Door

Removal Procedure

1. Remove the door. Refer to one of the following procedures:
 - *Door Replacement - Front*
 - *Door Replacement - Rear*
2. Remove the water deflector. Refer to *Water Deflector Replacement - Door*.
3. Remove the speaker, if equipped. Refer to *Speaker Replacement - Front Door* in Entertainment.
4. Remove the excess body sealer that surrounds the hinges.
5. Remove the door hinges from the body hinge pillar.



6384

6. Remove the door hinges from the door hinge pillar.
7. Scribe the location of the existing hinges on the door and the body hinge pillar.
8. Use a center punch in order to mark the center of each of the weld marks on the original hinges.
9. Drill pilot holes on the marks made by the center punch.
Drill the pilot holes 3 mm (1/8 in) deep through the welds. Drill deep enough in order to penetrate the hinge base only.
10. Drill holes through the welds in the pilot holes.
Drill the holes 13 mm (1/2 in) deep through the welds. Drill the holes deep enough in order to penetrate the hinge base only.

Body and Accessories

Drive a chisel between the hinge base and the door or the body hinge pillar in order to separate the hinge from the door or the body hinge pillar.

Remove the instrument panel at the upper door body side hinge only. Refer to *IP Carrier Replacement* in Instrument Panel, Gauges and Console.

Remove the fender bolt at the upper door bodyside hinge only. Refer to *Fender Replacement - Front* in Body Front End.

Remove the body hinge pillar trim panel at the lower bodyside hinge only. Refer to *Trim Panel Replacement - Left Hinge Pillar* or *Trim Panel Replacement - Right Hinge Pillar* in Interior Trim.

Remove the park brake lever at the lower left bodyside hinge only. Refer to *Park Brake Lever Replacement* in Park Brake.

Remove the door opening weatherstrip. Refer to *Weatherstrip Replacement - Door Opening*.

Installation Procedure

Prepare the surfaces of the vehicle for replacement hinges using a file or an equivalent.

Ensure that the hinge seating areas are flat.

Remove any burrs from the holes on the inside of the door or the body hinge pillar in order to ensure good seating for the anchor plate.

Paint the hinge surfaces on the door panel or the body hinge pillar at the hinge mounting area.

Coat the surface of the hinge that mates to the door panel or the body hinge pillar with a medium-bodied sealer.

Install the door hinges on the door hinge pillar.

Install the door hinges on the body hinge pillar.

Position the bolt-on service replacement hinge within the scribe marks that you made on the door and the body hinge pillar at the time of removal.

Install the hinge bolts and the tapped anchor plate.

Align the hinge bolts and the tapped anchor plate with the holes in the door or the hinge pillar.

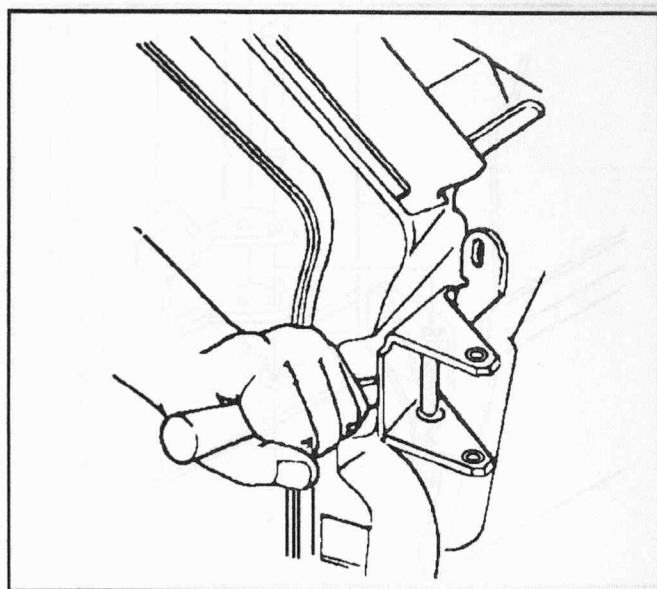
Attach a welding rod to the tapped anchor plates in order to aid in aligning the mounting bolts.

Notice: Refer to *Fastener Notice* in Cautions and Notices.

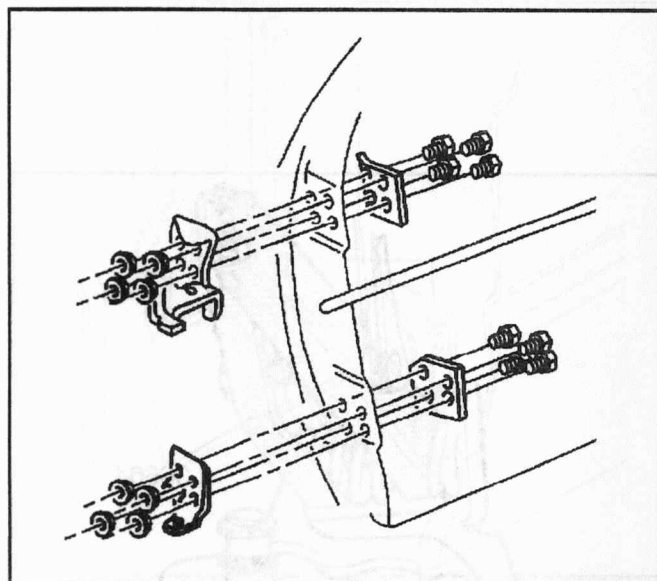
Place the bolts through the door or the hinge pillar and into the tapped backing plate.

Tighten

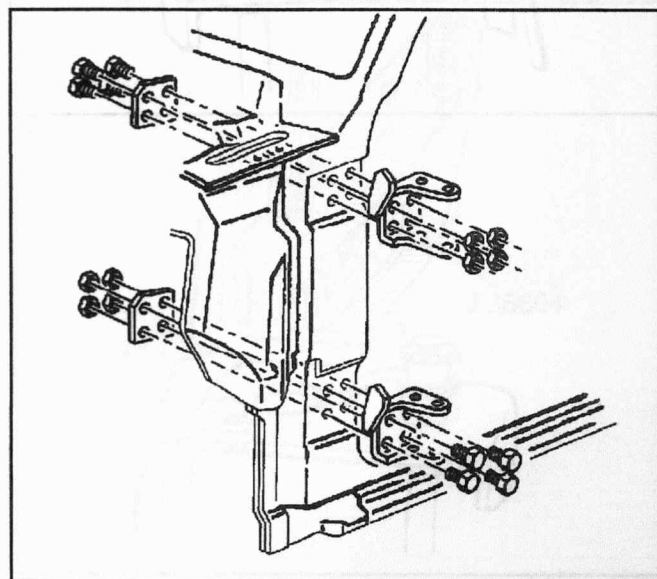
Tighten the hinge bolts to 35 N·m (26 lb ft).



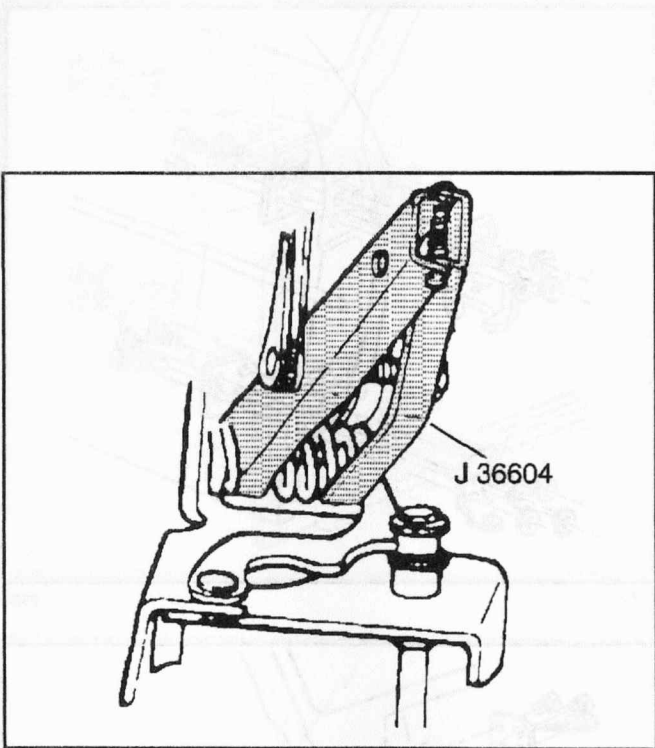
294528



6384



6383



5993

12. Install the fender bolt at the upper door bodyside hinge only. Refer to *Fender Replacement - Front* in Body Front End.
13. Install the instrument panel at the upper door bodyside hinge only. Refer to *IP Carrier Replacement* in Instrument Panel, Gauges and Console.
14. Install the body hinge pillar trim panel at the lower door bodyside hinge only. Refer to *Trim Panel Replacement - Left Hinge Pillar* or *Trim Panel Replacement - Right Hinge Pillar* in Interior Trim.
15. Install the parking brake lever at the lower left bodyside hinge only. Refer to *Park Brake Lever Replacement* in Park Brake.
16. Install the door opening weatherstrip. Refer to *Weatherstrip Replacement - Door Opening*.
17. Install the speaker, if equipped. Refer to *Speaker Replacement - Front Door* in Entertainment.
18. Install the water deflector. Refer to *Water Deflector Replacement - Door*.
19. Install the door. Refer to one of the following procedures:
 - *Door Replacement - Front*
 - *Door Replacement - Rear*

Hinge Roller Pin Replacement - Door

Removal Procedure

Tools Required

J 36604 Door Hinge Spring Compressor

Caution: Before removing the spring, cover the spring with a towel to prevent the spring from flying and possibly causing damage or personal injury.

1. Remove the door hinge spring using the J 36604.

2.

3.

4.

5.

Inst

1.

2.

3.

4.

5.