

&lt;- Back

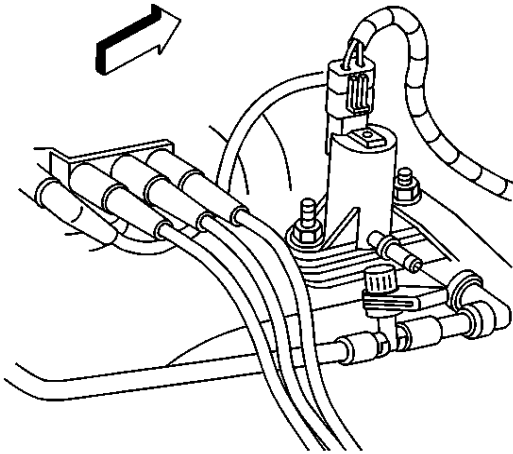
Forward -&gt;

Document ID# 692273  
2002 Chevrolet Blazer - 4WD

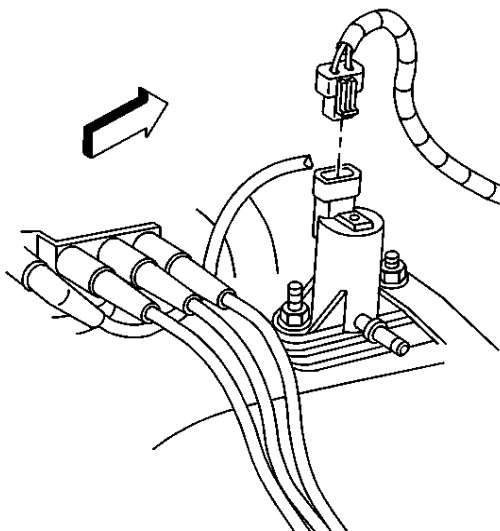
Print

# Evaporative Emission (EVAP) Canister Purge Solenoid Valve Replacement

## Removal Procedure

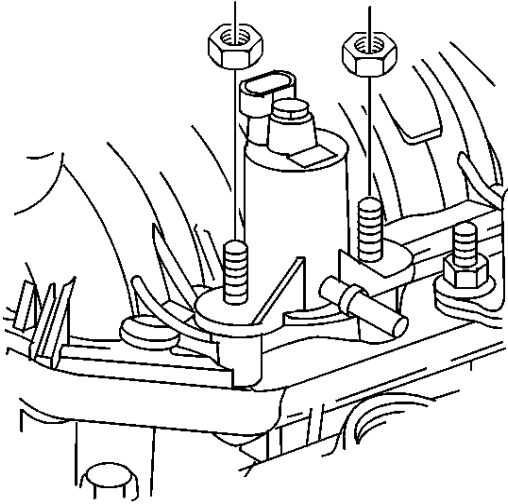


1. Disconnect the evaporative emission (EVAP) purge pipe.

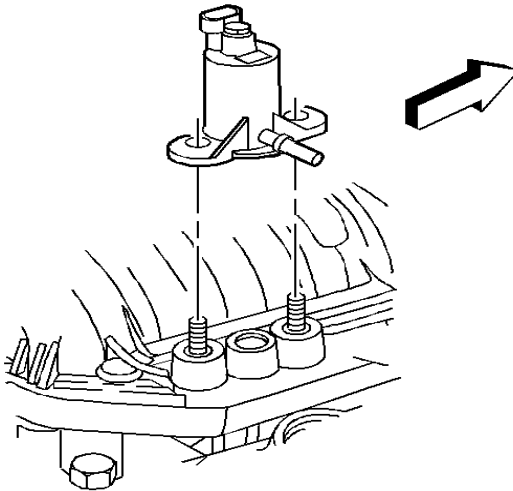




2. Disconnect the purge solenoid electrical connector.

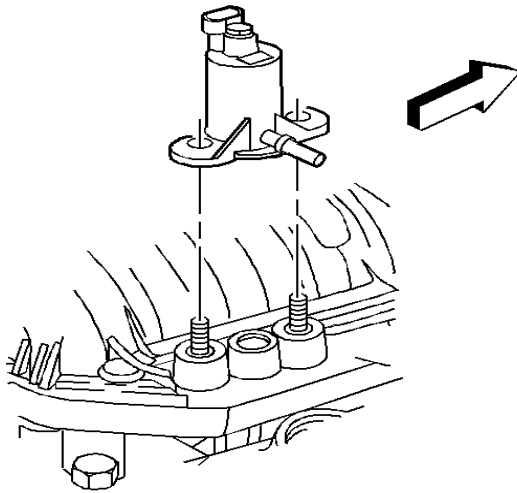


3. Remove the purge solenoid mounting nuts.
4. Remove the engine wiring harness bracket from the mounting stud.

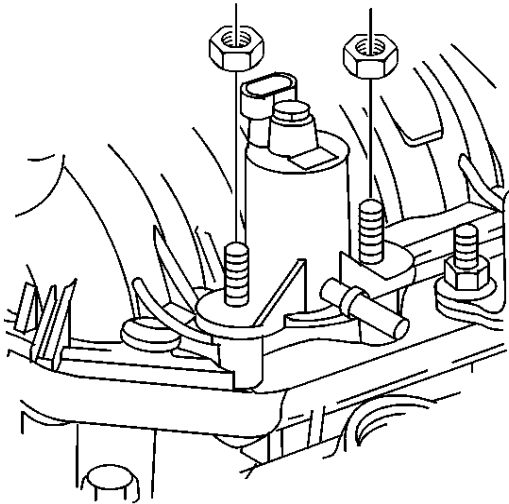


5. Remove the purge solenoid from the intake manifold.

### **Installation Procedure**



1. Install the purge solenoid to the intake manifold.
2. Install the engine wiring harness bracket to the mounting stud.

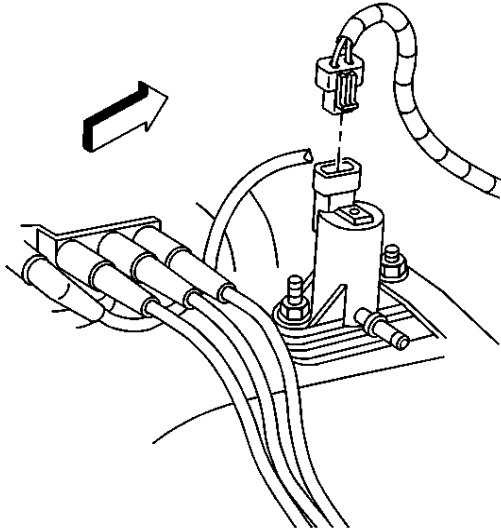


### Notice

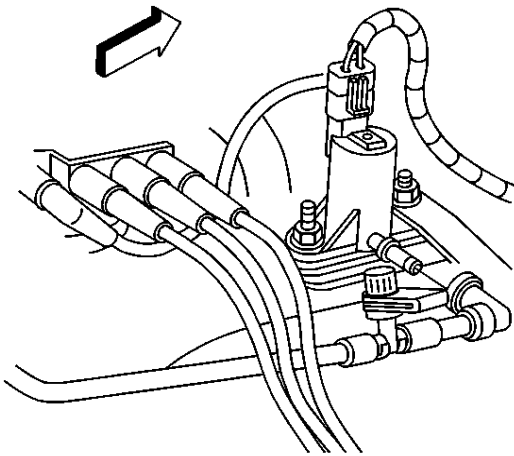
Use the correct fastener in the correct location. Replacement fasteners must be the correct part number for that application. Fasteners requiring replacement or fasteners requiring the use of thread locking compound or sealant are identified in the service procedure. Do not use paints, lubricants, or corrosion inhibitors on fasteners or fastener joint surfaces unless specified. These coatings affect fastener torque and joint clamping force and may damage the fastener. Use the correct tightening sequence and specifications when installing fasteners in order to avoid damage to parts and systems.

3. Install the purge solenoid mounting nuts. **Tighten**

Tighten the nuts to 12 N·m (106 lb in).



4. Connect the purge solenoid electrical connector.



5. Connect the EVAP purge pipe.

<- Back

Forward ->

Document ID# 692273  
2002 Chevrolet Blazer - 4WD

Print