

Notice: Refer to *Fastener Notice* in Cautions and Notices.

8. Install the spindle nut.

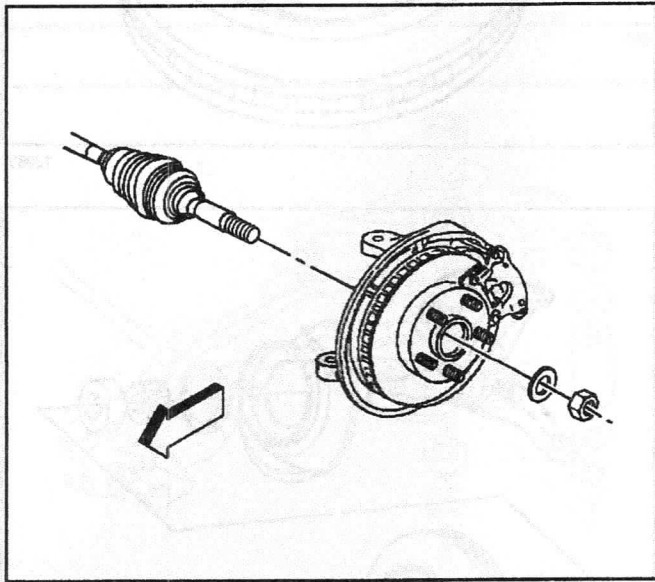
Tighten

- 8.1. Tighten the spindle nut to 16 N·m (12 lb ft) while turning the wheel assembly forward by hand.
- 8.2. Adjust the wheel bearings. Refer to *Wheel Bearing Adjustment*.
- 8.3. Install new cotter pin. Bend the pin ends against the nut flats.
- 8.4. Install the dust cap to rotor.
9. Install the brake caliper. Refer to *Brake Caliper Replacement - Front (Single Piston)* in Disc Brakes.
10. Lower the vehicle.

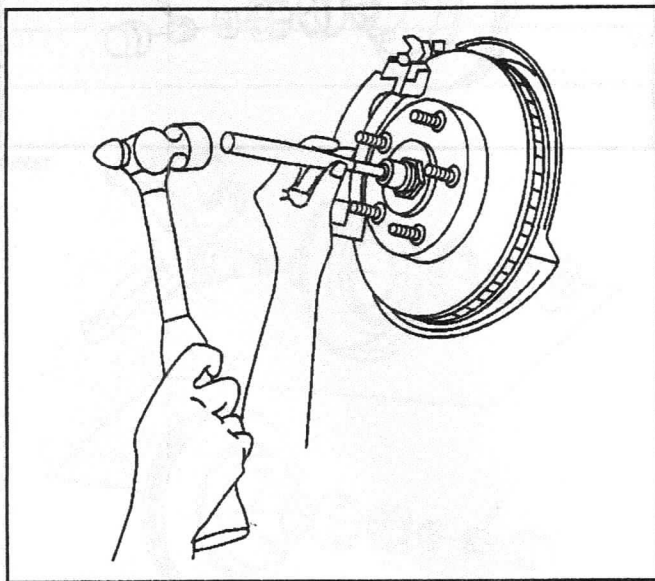
Wheel Hub, Bearing, and Seal Replacement (4WD Pickup and Utilities)

Removal Procedure

1. Raise and support the vehicle with safety stands. Refer to *Lifting and Jacking the Vehicle* in General Information.
2. Unload the torsion bar. Refer to *Torsion Bar and Support Assembly Replacement*.
3. Remove the tire and the wheel. Refer to *Tire and Wheel Removal and Installation* in Tires and Wheels.
4. Apply the brake pedal.
5. Remove the drive axle nut.
6. Remove the drive axle washer.
7. Remove the rotor. Refer to *Brake Rotor Replacement - Front* in Disc Brakes.
8. Disengage the halfshaft from the wheel hub and bearing assembly. Place a brass drift against the outer end of the halfshaft in order to protect the halfshaft threads. Sharply strike the brass drift with a hammer. Do not attempt to remove the halfshaft from the hub and bearing assembly at this time.

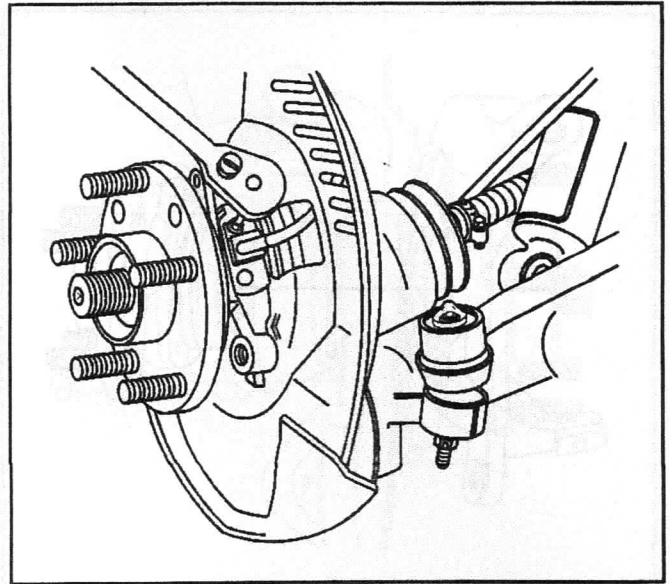


384869



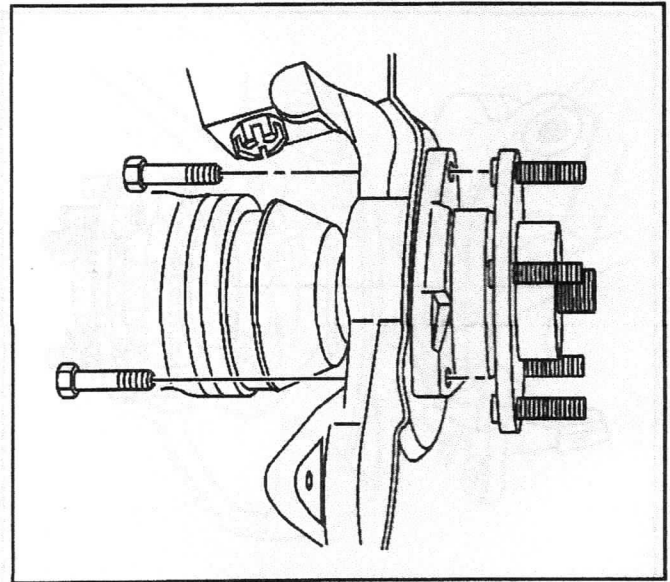
392501

9. Remove the wheel speed sensor mounting bolt from the wheel hub and bearing assembly.
10. Remove the wheel speed sensor from the wheel hub and bearing assembly.



404313

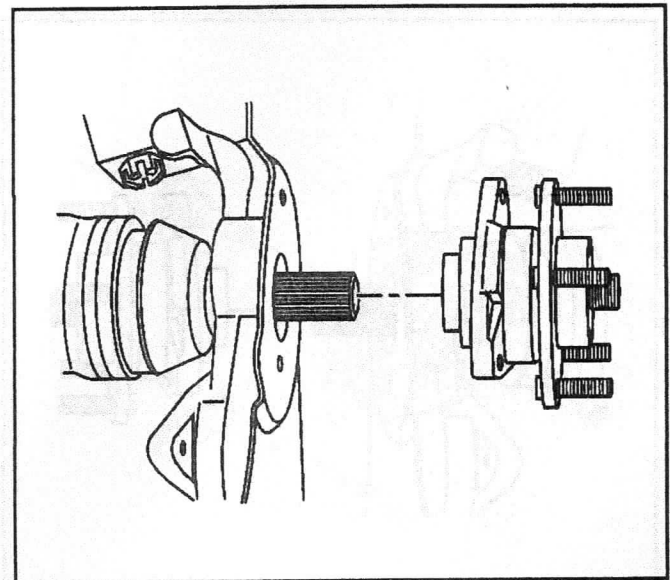
11. Remove the wheel hub and bearing assembly to the steering knuckle mounting bolts.



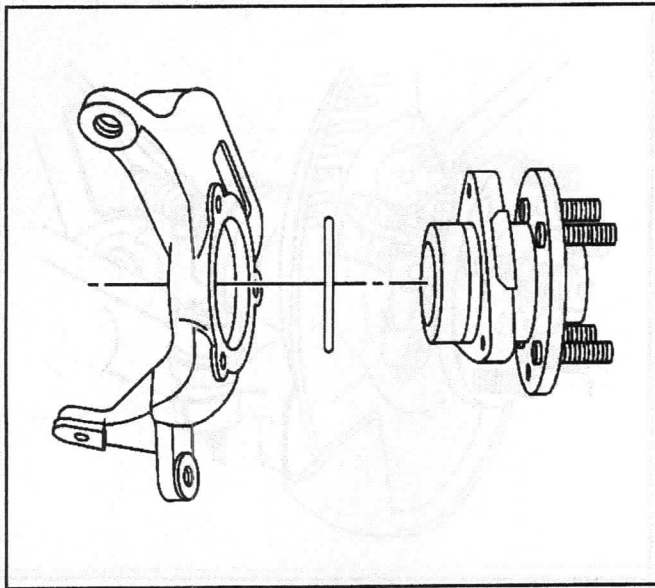
404316

Important: Lay the wheel hub and bearing assembly on the hub bolts on the outboard side. This prevents damage or contamination to the bearing seal.

12. Remove the wheel hub and bearing assembly to the steering knuckle.
13. Remove the splash shield from the steering knuckle.

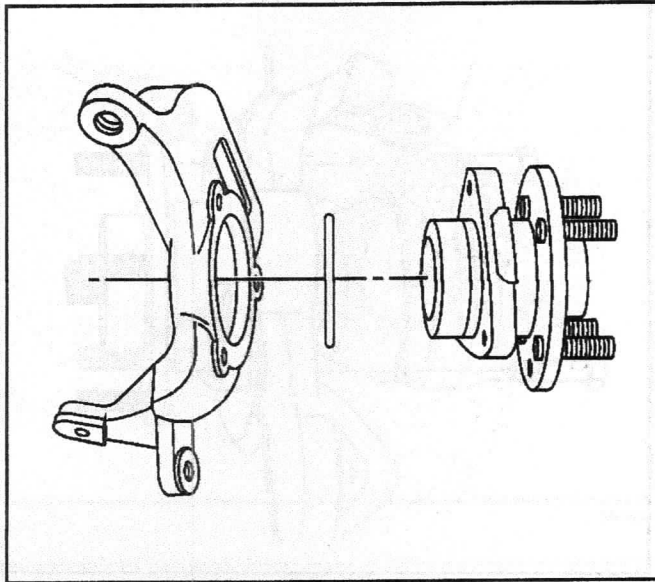


404315



404309

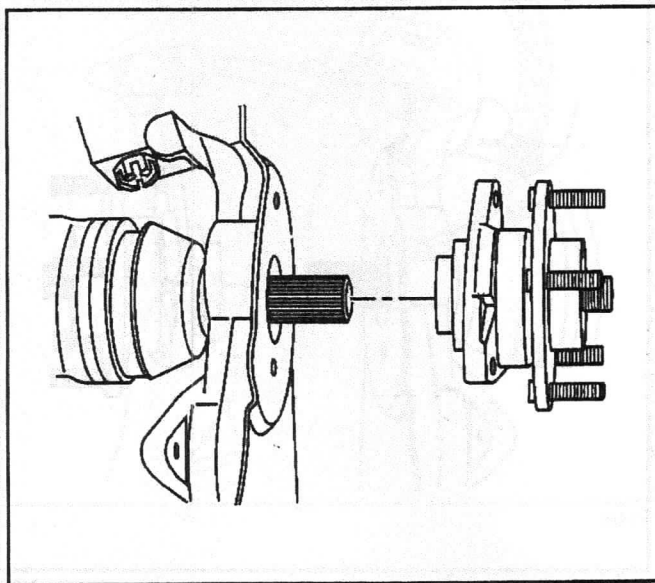
14. Remove the wheel hub and bearing seal from the wheel hub and bearing assembly.



404309

Installation Procedure

1. Install the wheel hub and bearing seal to the wheel hub and bearing assembly.
2. Install the splash shield to the steering knuckle. Align the shield to the steering knuckle.



404315

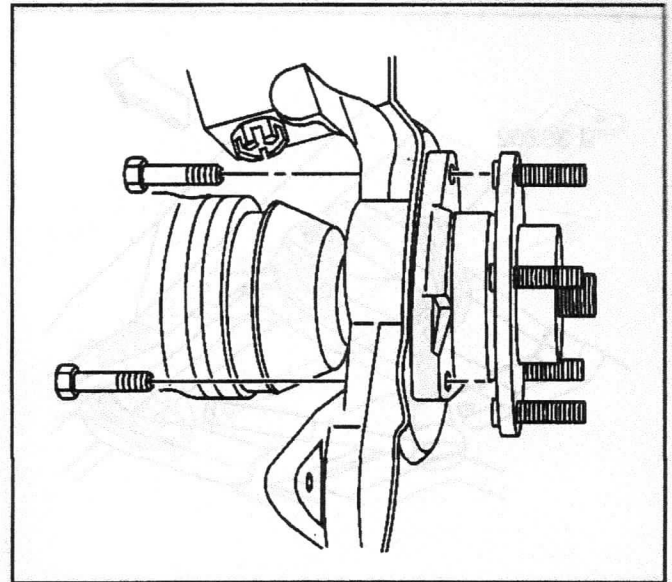
3. Install the wheel hub and bearing assembly to the steering knuckle. Align the threaded holes.

Notice: Refer to *Fastener Notice* in Cautions and Notices.

4. Install the wheel hub and bearing assembly to the steering knuckle mounting bolts.

Tighten

Tighten the wheel hub and bearing assembly to the steering knuckle mounting bolts to 105 N·m (77 lb ft).



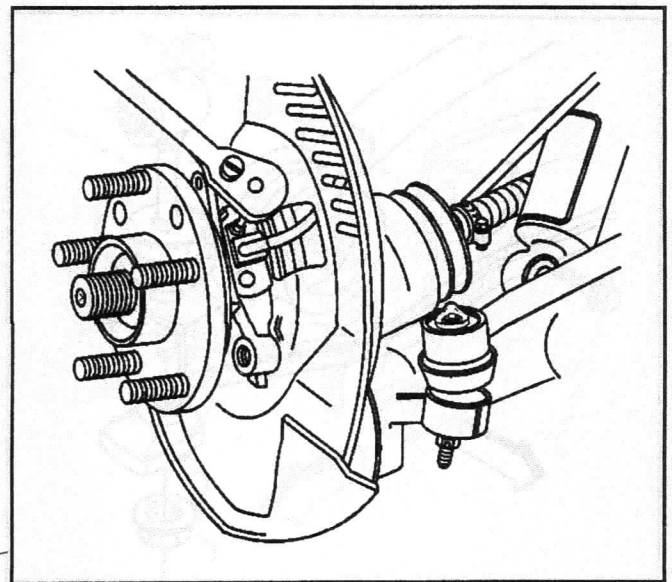
404316

5. Install the wheel speed sensor to the wheel hub and bearing assembly.
6. Install the wheel speed sensor to the wheel hub and bearing assembly mounting bolt.

Tighten

Tighten the wheel speed sensor to the wheel hub and bearing assembly mounting bolt to 18 N·m (13 lb ft).

7. Install the rotor. Refer to *Brake Rotor Replacement - Front* in Disc Brakes.



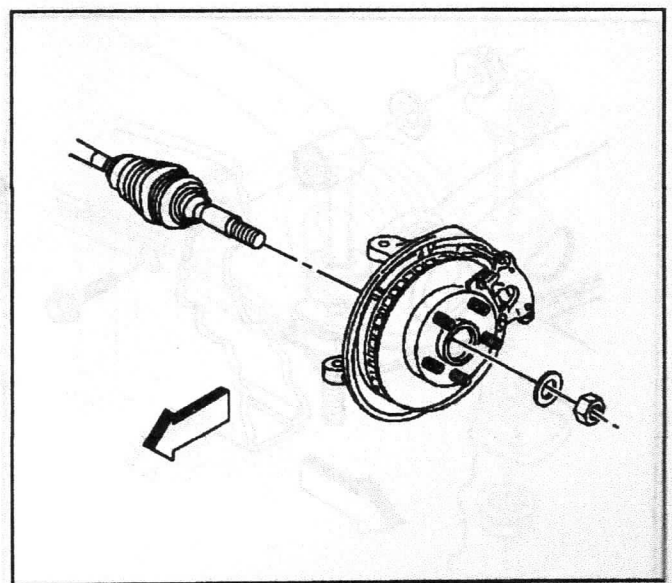
404313

8. Install the drive axle washer.
9. Install the drive axle nut.
10. Apply the brake pedal.

Tighten

Tighten the drive axle nut to 140 N·m (103 lb ft).

11. Install the tire and the wheel. Refer to *Tire and Wheel Removal and Installation* in Tires and Wheels.
12. Load the torsion bar. Refer to *Torsion Bar and Support Assembly Replacement*.
13. Lower the vehicle.



384655