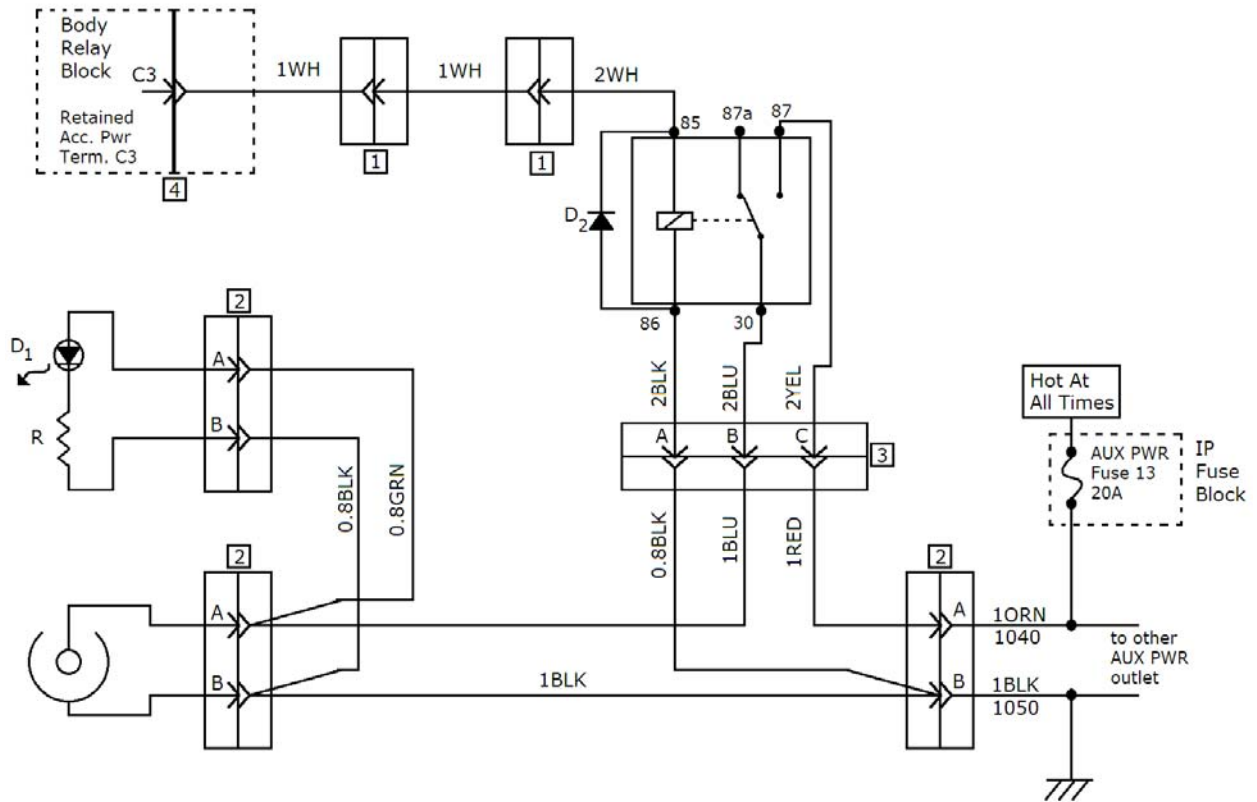
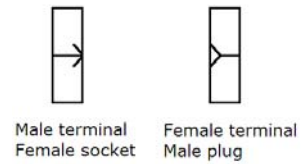


Switched Auxillary Power Outlet controlled by Retained Accessory Power
Christine_208, Blazerforum.com

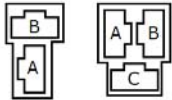


Connectors:

- 1: Packard 56 Series 1-way 14-16 ga
- 2: Packard 56 Series 2-way 14-16 ga
- 3: Packard 56 Series 3-way 14-16 ga
- 4: Metri-Pack 280, female terminal, tang-less



Face view of male plugs with female terminals



Wire Sizes:

- 0.8 mm² = 18 ga
- 1 mm² = 16 ga
- 2 mm² = 14 ga

Components:

- Relay: Bosch-style
- 14VDC, NO: 40A, NC: 30A
- R = 1.0 kΩ
- D₁ = 1N4007
- D₂ = LED, green
- R_{coil} = 80 Ω