

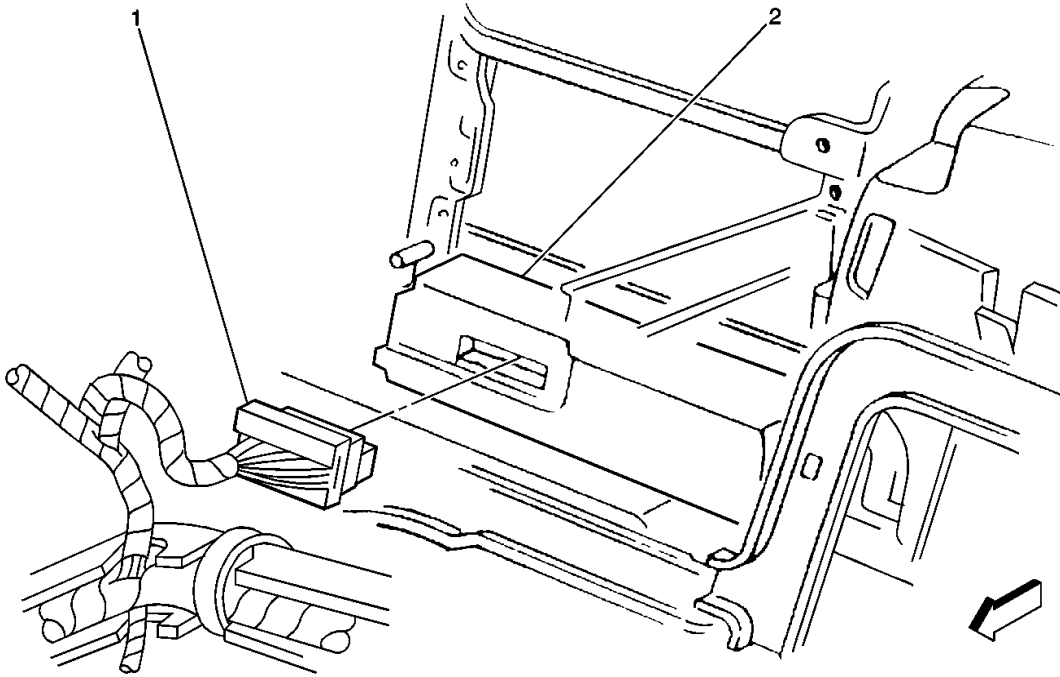
< - Back

Forward ->

Document ID# 393168
1998 Chevrolet/Geo Blazer - 2WD

Print

FIGURE Electronic Climate Control (ECC) Module and Connector(c)



- (1) Electronic Climate Control (ECC) Connector
- (2) Electronic Climate Control (ECC) Module

< - Back

Forward ->

Document ID# 393168
1998 Chevrolet/Geo Blazer - 2WD

Print