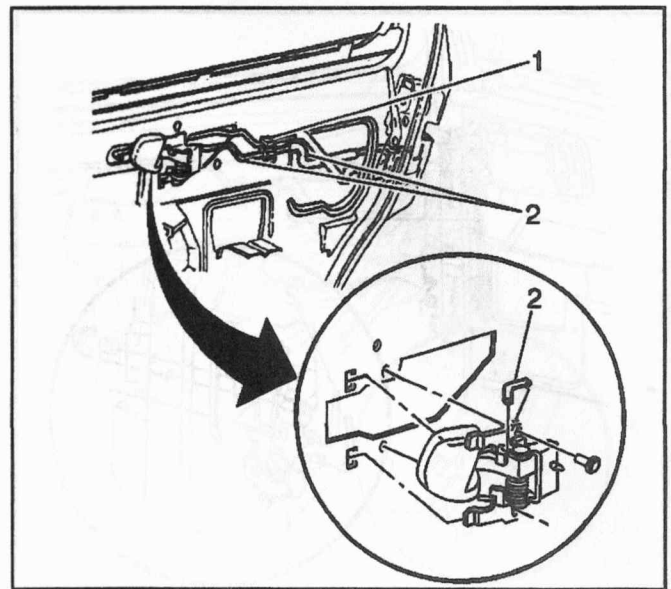


Door Handle Replacement - Rear Inside

Removal Procedure

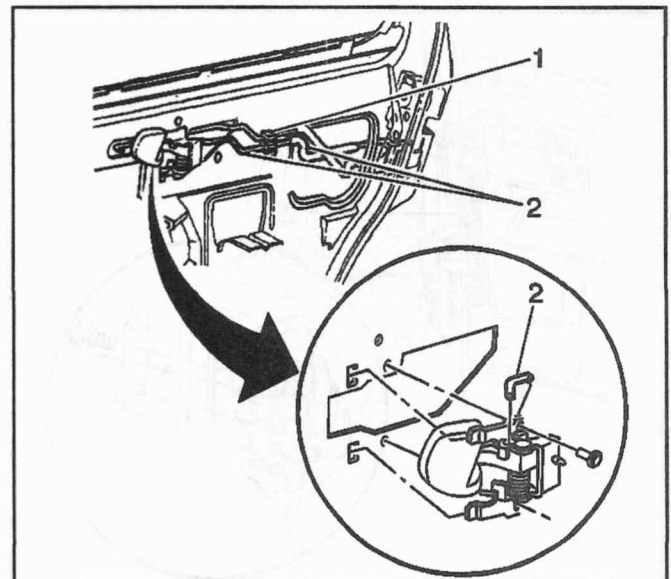
1. Remove the door trim panel. Refer to *Trim Panel Replacement - Side Rear Door*.
2. Remove the inside door handle rod (2).
3. Remove the inside door handle from the door by sliding the handle rearward.



294647

Installation Procedure

1. Install the inside door handle to the door by sliding the handle forward. Ensure that the handle is properly seated.
2. Install the inside door handle rod (2).
3. Install the door trim panel. Refer to *Trim Panel Replacement - Side Rear Door*.

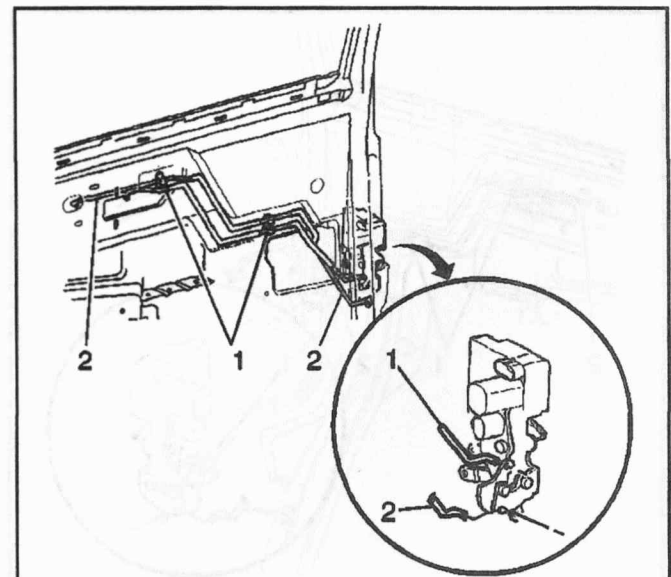


294647

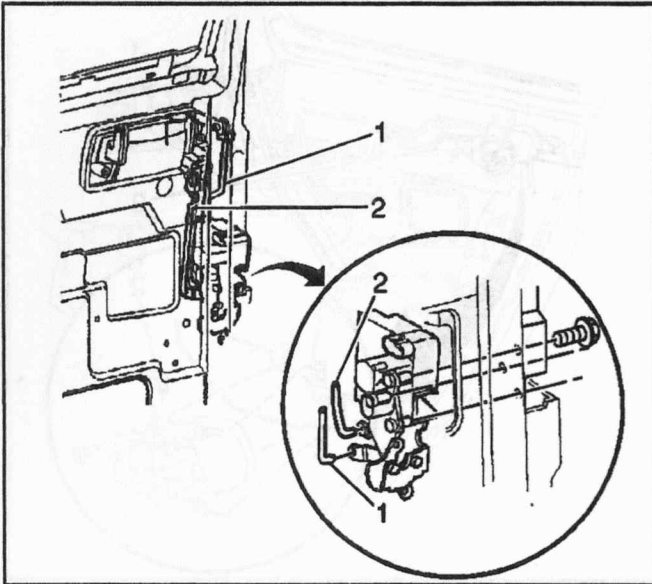
Lock Actuator Replacement - Front Door

Removal Procedure

1. Raise the window to the closed position.
- Caution: Refer to Battery Disconnect Caution in Cautions and Notices.**
2. Disconnect the battery negative cable.
 3. Remove the door trim panel. Refer to *Trim Panel Replacement - Front Door*.
 4. Remove the water deflector. Refer to *Water Deflector Replacement - Door*.
 5. Remove the inside door lock rod (1) from the lock assembly.
 6. Remove the inside door handle rod (2) from the lock assembly.

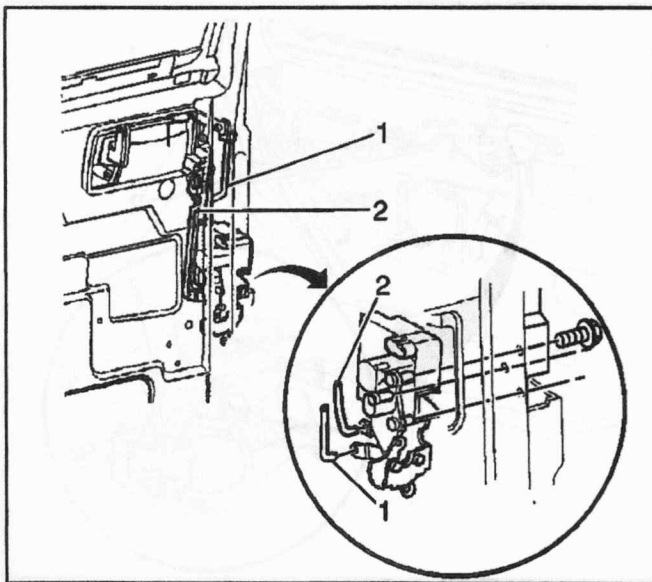


294516



294521

7. Remove the outside door lock rod (1) from the lock assembly.
8. Remove the outside door handle rod (2) from the lock assembly.
9. Disconnect the power actuator wiring connector, if equipped.
10. Remove the fasteners that retain the lock assembly to the door.
11. Remove the lock assembly from the door.



294521

Installation Procedure

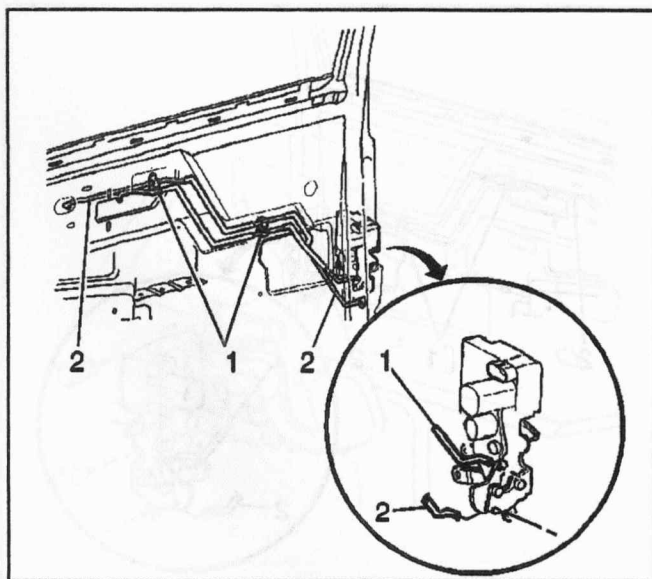
1. Install the lock assembly to the door.
- Notice:** Refer to *Fastener Notice* in Cautions and Notices.

2. Install the fasteners that retain the lock assembly to the door.

Tighten

Tighten the fasteners to 9 N·m (80 lb in).

3. Connect the power actuator wiring connector, if equipped.
4. Install the outside door handle rod (2) to the lock assembly.
5. Install the outside lock rod (1) to the lock assembly.



294516

6. Install the inside door handle rod (2) to the lock assembly.
7. Install the inside door lock rod to the lock assembly (1).
8. Install the water deflector. Refer to *Water Deflector Replacement - Door*.
9. Install the door trim panel. Refer to *Trim Panel Replacement - Front Door*.
10. Connect the battery negative cable.