

POWER DISTRIBUTION

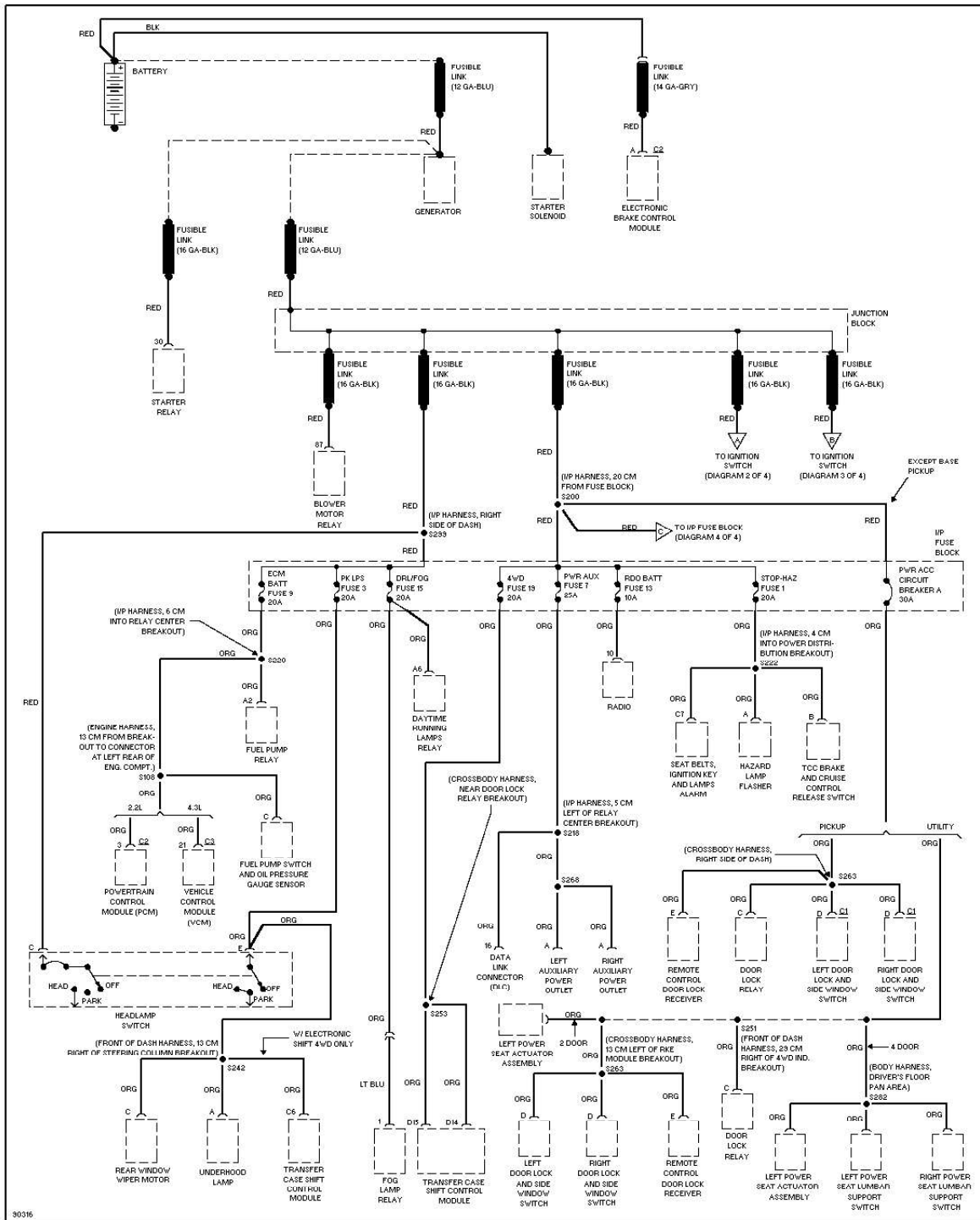


Fig. 23: Power Distribution Circuit (1 of 4)