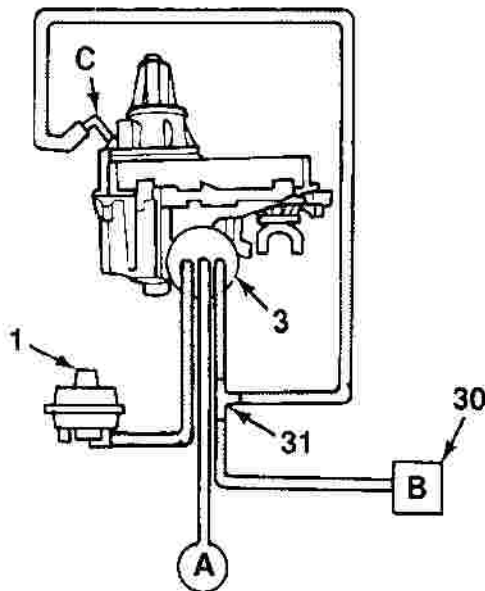
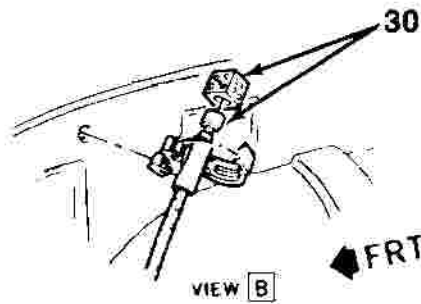
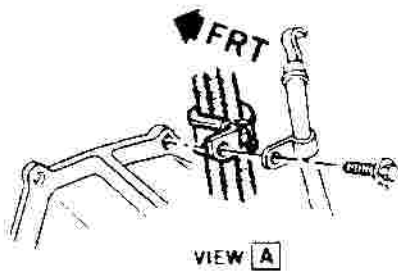
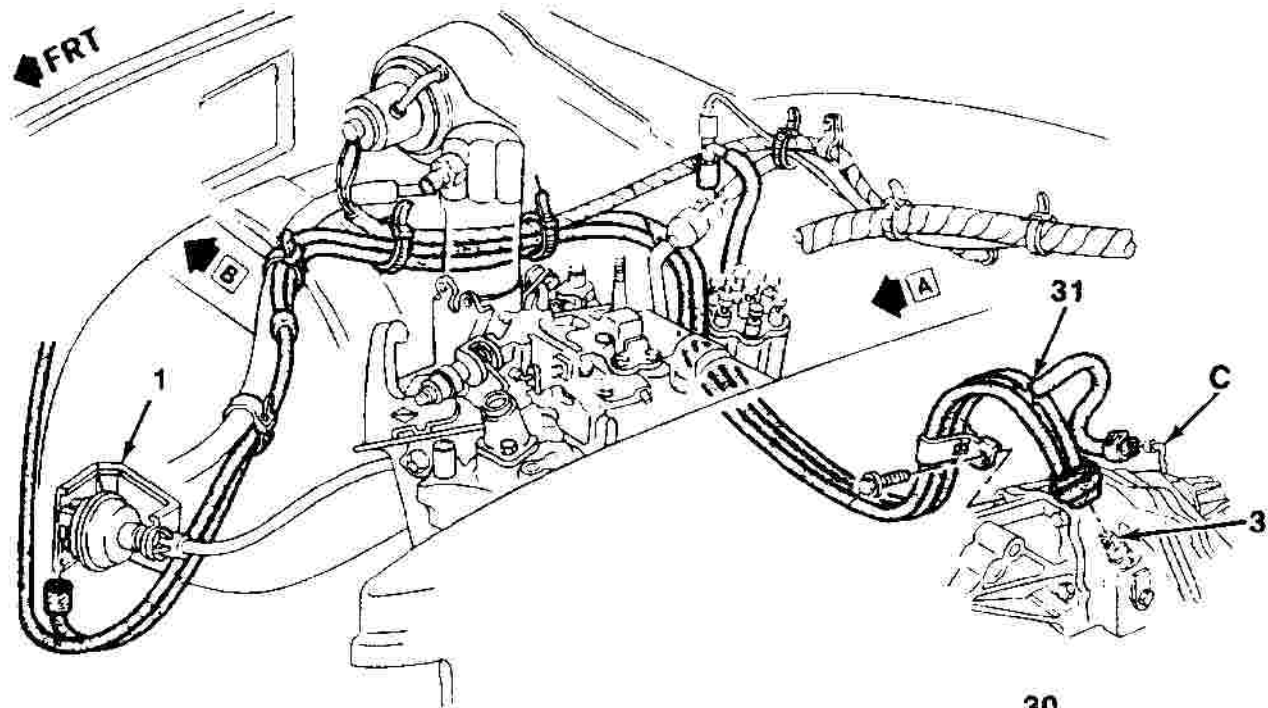


Fig. 4: Vacuum Line Routing and Schematic  
1995 Chevrolet Blazer



- A Vacuum Source (Engine)
- B Vent to Atmosphere
- C Transfer Case Vent Fitting
- 1 Vacuum Actuator
- 3 Vacuum Switch
- 30 Vent
- 31 Tee

50E06810