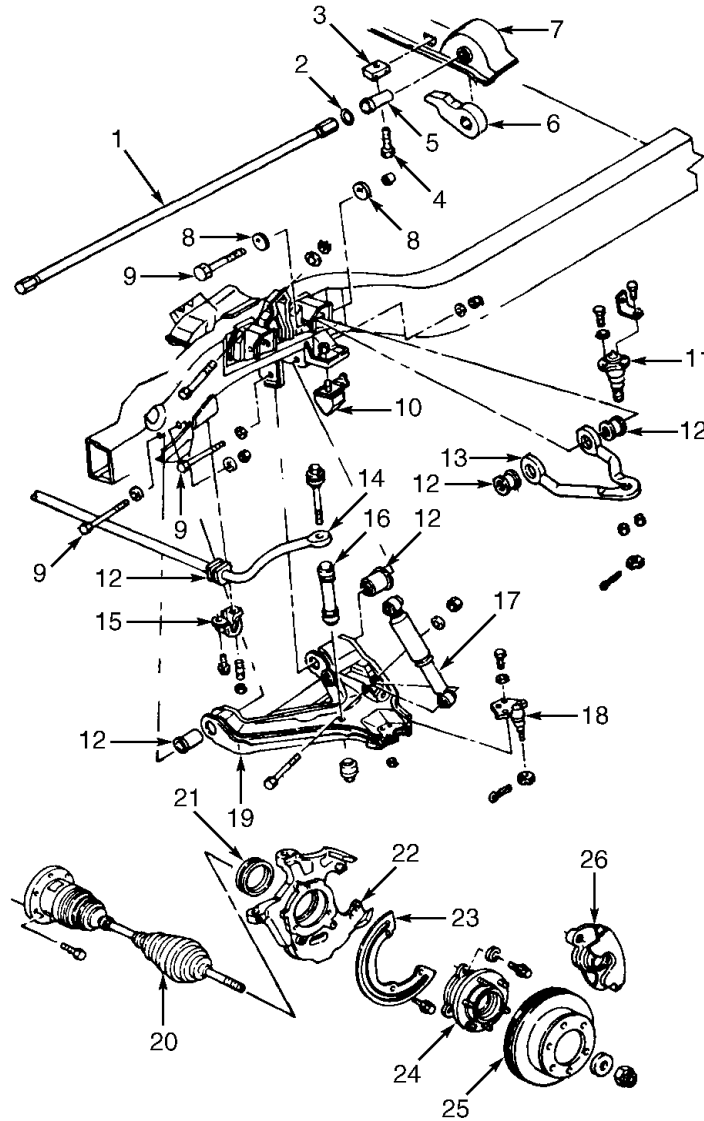


Printer-Ready Version (Use Browser Print Button) - [Click Here](#) for Full-Size Version

**Fig. 1: Exploded View Of Front Suspension
GENERAL MOTORS CORP.**



- | | |
|-----------------------------|----------------------------|
| 1. Torsion Bar | 14. Stabilizer Bar |
| 2. Seal | 15. Clamp |
| 3. Adjusting Nut | 16. Spacer |
| 4. Adjusting Bolt | 17. Shock Absorber |
| 5. Anchor Adapter | 18. Lower Ball Joint |
| 6. Adjusting Arm | 19. Lower Control Arm |
| 7. Support | 20. Drive Axle |
| 8. Alignment Adjustment Cam | 21. Grease Seal |
| 9. Pivot Bolt | 22. Steering Knuckle |
| 10. Bumper | 23. Splash Shield |
| 11. Upper Ball Joint | 24. Hub & Bearing Assembly |
| 12. Bushing | 25. Rotor |
| 13. Upper Control Arm | 26. Brake Caliper |

G92H21896

Copyright 2021 Mitchell Repair Information Company, LLC. All Rights Reserved.