

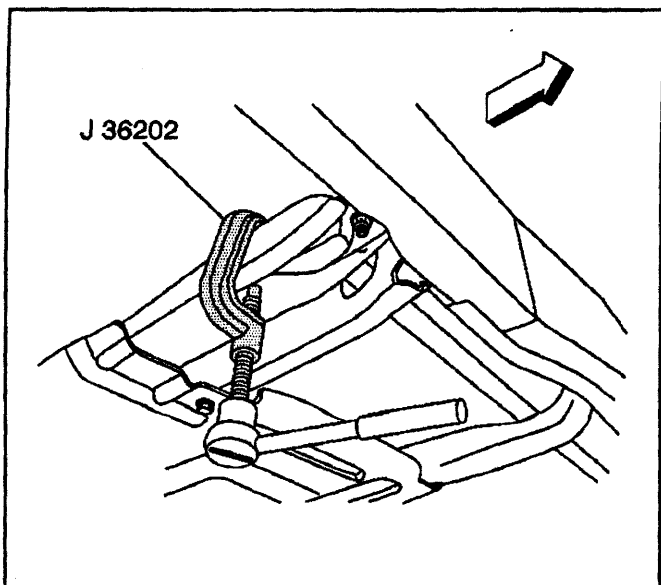
Torsion Bar and Support Assembly Replacement

Removal Procedure

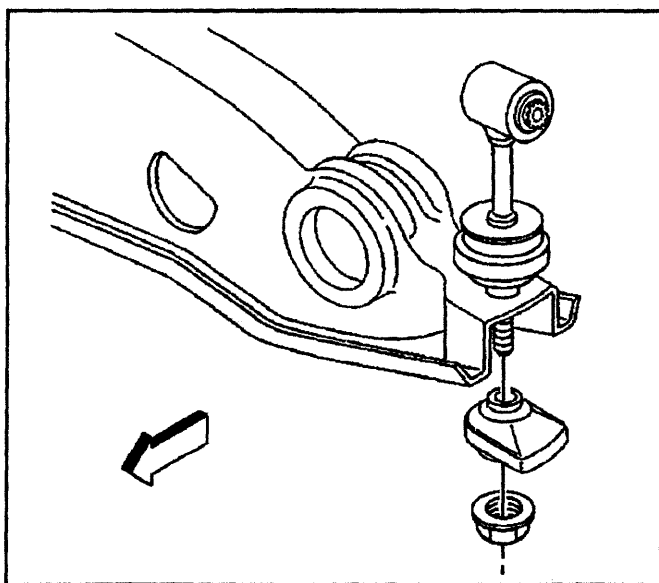
Tools Required

J 36202 Torsion Bar Loading/Unloading Tool

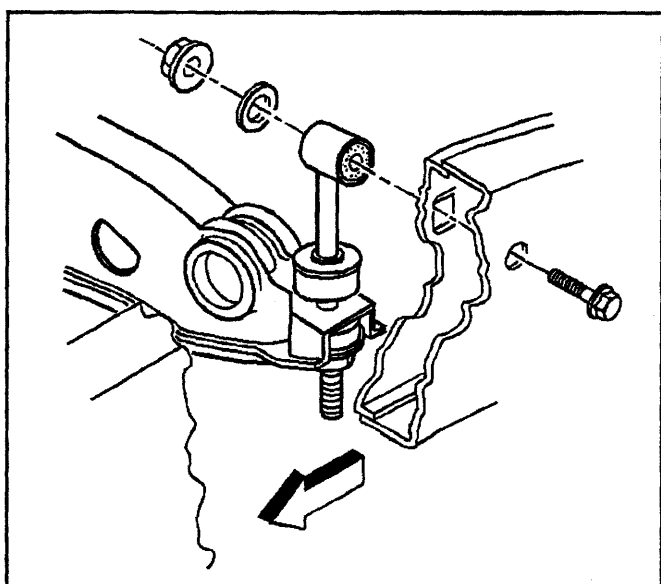
1. Raise and support the vehicle with safety stands. Refer to *Lifting and Jacking the Vehicle* in General Information.
2. Unload both torsion bars using *J 36202*. To aid in assembly, record the number of turns the tool makes when removing the adjusting bolt. Remove *J 36202*.
3. Remove the lower link mount nut from one side.
4. Remove the torsion bars. Note the exact direction of the forward end and the side of the torsion bar that is being removed.
5. Remove the lower link mount nut from the opposite side.
6. Remove the lower link mount.
7. Remove the upper link mount nut.
8. Remove the upper link mount.
9. Remove the torsion bar support from the frame.



197534



223401



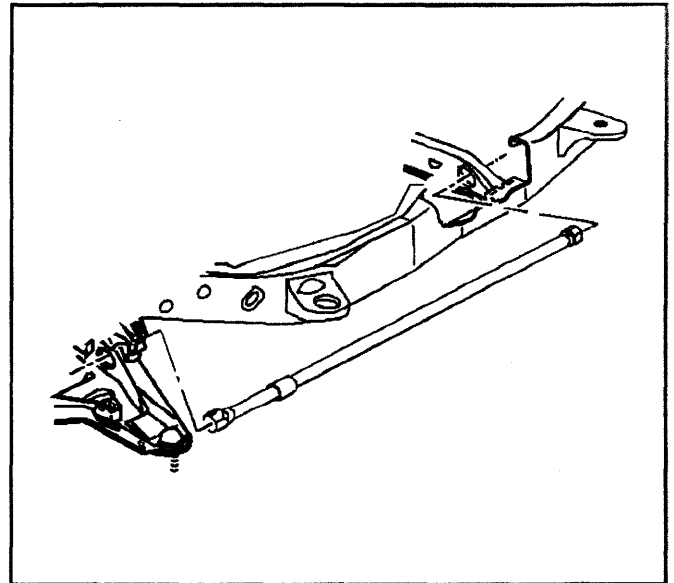
1995

Installation Procedure

Tools Required

J 36202 Torsion Bar Loading/Unloading Tool

1. Install the torsion bars in relation to where the bars were removed.
2. Install the torsion bar support.



1997

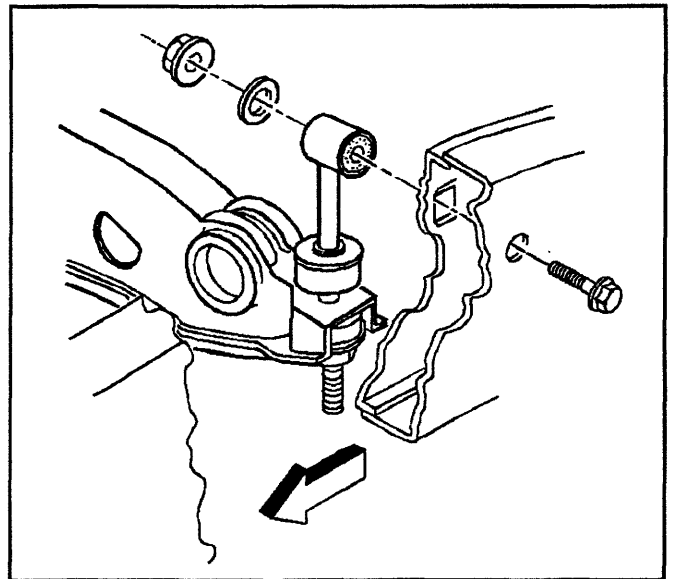
3. Install the upper link mount.

Notice: Refer to *Fastener Notice* in Cautions and Notices.

4. Install the upper link mount nut.

Tighten

Tighten the upper link mount nut to 65 N·m (48 lb ft).



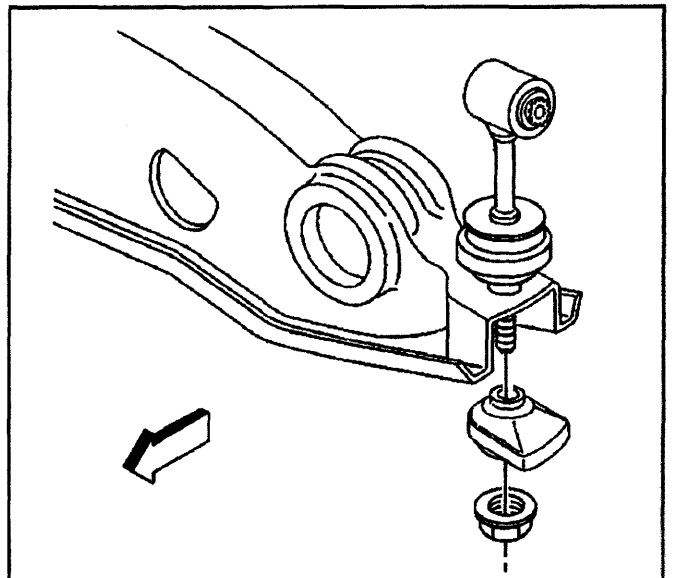
1999

5. Install the lower link mount bushing. Place a jack stand under the torsion bar support member.

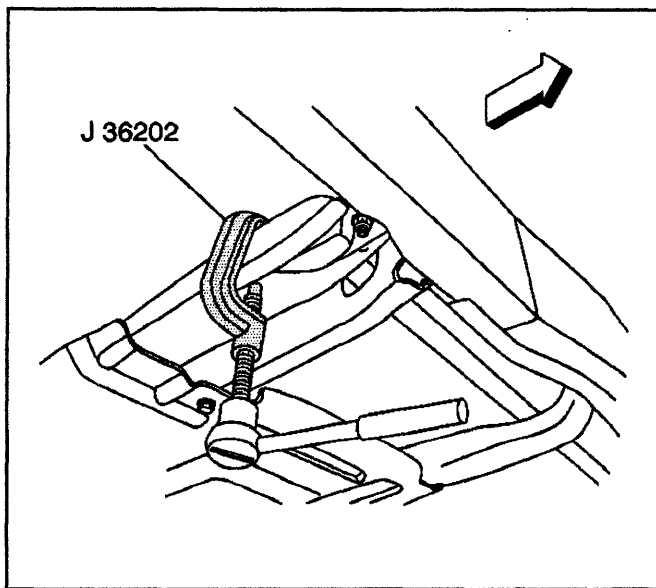
6. Install the lower link mount nut.

Tighten

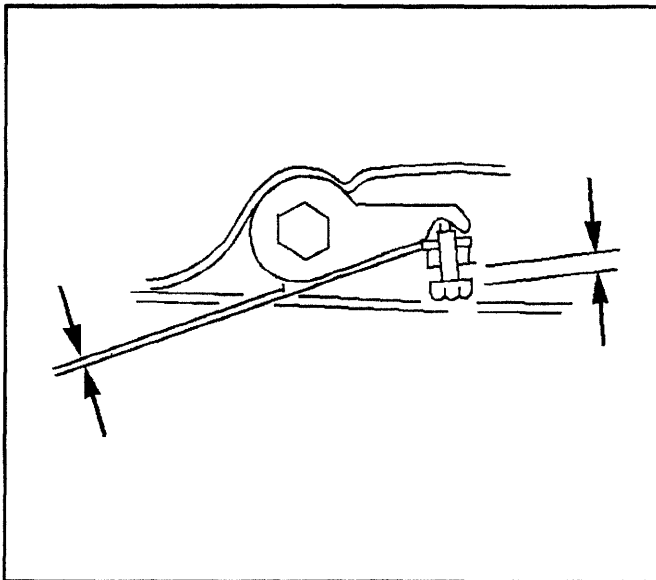
Tighten the lower link mount nut to 50 N·m (37 lb ft).



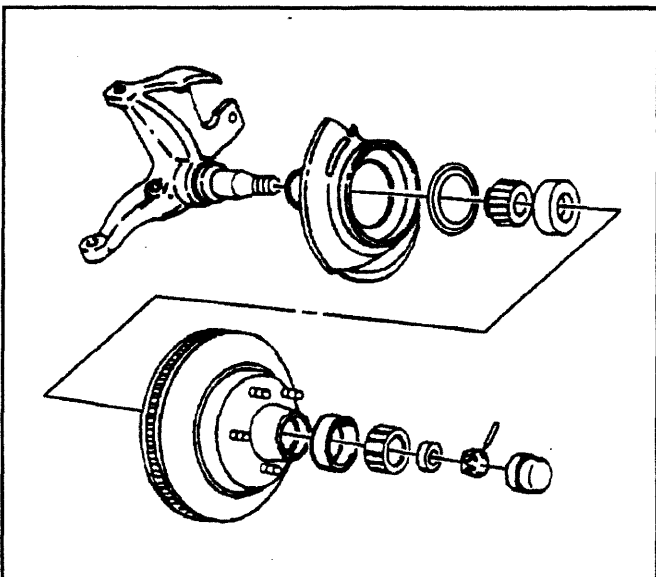
223401



197534



2002



130890

7. Adjust the torsion bar using *J 36202*.

8. Tighten the tool against the adjusting arm for the recorded number of turns. This loads the torsion bars.
9. Lower the vehicle.
10. Check final Z trim height. Refer to *Trim Height Inspection Procedure* in *Suspension General Diagnosis*.

Wheel Bearing Adjustment

Important:

- Adjust the front wheel bearings correctly in order to ensure the front suspension functions properly.
 - The bearings must be a slip fit on the spindle.
 - Lubricate the bearings in order to ensure the bearings will creep.
 - The spindle nut must have a free-running fit on the spindle threads.
1. Raise and suitably support the vehicle with safety stands. Refer to *Lifting and Jacking the Vehicle* in *General Information*.
 2. Remove the wheel hub cap. Refer to *Aluminum Wheel Hub Cap Replacement* in *Tires and Wheels*.
 3. Remove the dust cap from the wheel hub.